

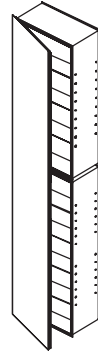
LEFT HAND

MF16D8F11L

ALSO MF16D8F12L, MF16D8F13L,
MF16D8F14L, MF16D8F15L, MF16D8F16L,
MF16D8F17L, MF16D8F18L, MF16D8F19L

Features

- Recess or surface mount
- Colored glass or tinted mirror doors with mirrored, matte silver interior
- 3-way adjustable concealed hinge system
- SAFESEAL® gasket frame
- Patented swing-out magnifying mirror
- Rust-free aluminum construction
- Left hinge door
- Seven adjustable glass shelves
- 15-1/4" (38.7 cm) W x 69-3/8" (176.2 cm) H x 8-5/8" (21.9 cm) D



Codes/Standards Applicable

Specified model meets or exceeds the following:

- None applicable

Specified Model

| Model | Description | |
|------------|---------------------------------------|--------------------------|
| MF16D8F11L | Tinted Gray Mirror, left hand | <input type="checkbox"/> |
| MF16D8F12L | Satin Bronze, left hand | <input type="checkbox"/> |
| MF16D8F13L | Satin Gray, left hand | <input type="checkbox"/> |
| MF16D8F14L | Champagne Mesh, left hand | <input type="checkbox"/> |
| MF16D8F15L | Onyx Mesh, left hand | <input type="checkbox"/> |
| MF16D8F16L | Hammered Oil Rubbed Bronze, left hand | <input type="checkbox"/> |
| MF16D8F17L | Hammered Platinum, left hand | <input type="checkbox"/> |
| MF16D8F18L | Vintage Ivory, left hand | <input type="checkbox"/> |
| MF16D8F19L | Satin White, left hand | <input type="checkbox"/> |

NOTE: Hardware required for installing cabinets side-by-side is included.

Required Accessories - For Surface Mount and Semi-Recessed Installations Only

| | | |
|--------------|---|--------------------------|
| MFSK70D811 | Tinted Gray Mirror side kit - surface mount | <input type="checkbox"/> |
| MFSK70D812 | Satin Bronze side kit - surface mount | <input type="checkbox"/> |
| MFSK70D813 | Satin Gray side kit - surface mount | <input type="checkbox"/> |
| MFSK70D814 | Champagne Mesh side kit - surface mount | <input type="checkbox"/> |
| MFSK70D815 | Onyx Mesh side kit - surface mount | <input type="checkbox"/> |
| MFSK70D816 | Hammered Oil Rubbed Bronze side kit - surface mount | <input type="checkbox"/> |
| MFSK70D817 | Hammered Platinum side kit - surface mount | <input type="checkbox"/> |
| MFSK70D818 | Vintage Ivory side kit - surface mount | <input type="checkbox"/> |
| MFSK70D819 | Satin White side kit - surface mount | <input type="checkbox"/> |
| MFSK70D8SR11 | Tinted Gray Mirror side kit - semi-recess mount | <input type="checkbox"/> |
| MFSK70D8SR12 | Satin Bronze side kit - semi-recess mount | <input type="checkbox"/> |
| MFSK70D8SR13 | Satin Gray side kit - semi-recess mount | <input type="checkbox"/> |
| MFSK70D8SR14 | Champagne Mesh side kit - semi-recess mount | <input type="checkbox"/> |
| MFSK70D8SR15 | Onyx Mesh side kit - semi-recess mount | <input type="checkbox"/> |
| MFSK70D8SR16 | Hammered Oil Rubbed Bronze side kit - semi-recess mount | <input type="checkbox"/> |
| MFSK70D8SR17 | Hammered Platinum side kit - semi-recess mount | <input type="checkbox"/> |
| MFSK70D8SR18 | Vintage Ivory side kit - semi-recess mount | <input type="checkbox"/> |
| MFSK70D8SR19 | Satin White side kit - semi-recess mount | <input type="checkbox"/> |

M SERIES DECORATIVE CABINET

Required Accessories - For Ganging Multiple Cabinets Only

| | | |
|------------|--|--------------------------|
| MHANDLEKIT | Chrome handle - required when ganging MF cabinets or | <input type="checkbox"/> |
| MPUSHKIT | Push-to-open mechanism - required when ganging MF cabinets | <input type="checkbox"/> |
| MSFMF | Stack filler - required when ganging surface-mounted MF with MT cabinets | <input type="checkbox"/> |

NOTE: MF cabinets cannot be ganged with MP cabinets.

Optional Accessories

| | | |
|---------|-----------------|--------------------------|
| SLB16D8 | Safety-lock box | <input type="checkbox"/> |
|---------|-----------------|--------------------------|

Light options and additional accessories are available. Refer to the Price Guide for more information.

Technical Information

| | |
|---------------------|---|
| Roughing-in opening | 14-1/2" (36.8 cm) W x 68-5/8" (174.3 cm) H x 8" (20.3 cm) D |
| Door opening angle | 170° |

Installation Notes

Install this product according to the installation guide.

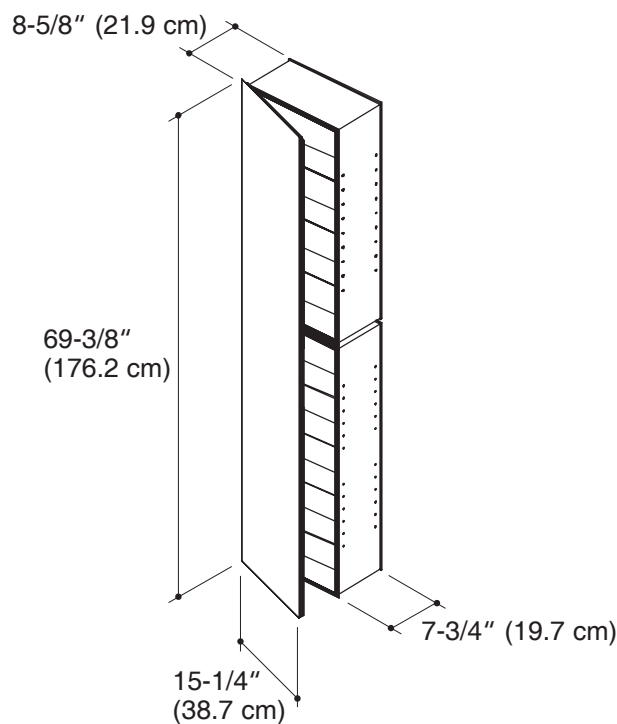
When determining the height of the mirrored cabinet, ensure the mirrored door will clear all obstacles, such as a faucet. A minimum distance of 1" (2.5 cm) is required.

Secure the screws (provided) to a stud to avoid possible property and product damage. If this is not possible, anchors (provided) must be inserted before installing the screws.

Modular components can be joined horizontally.

When ganging cabinets: rough opening width = total width of all cabinets and lights minus 3/4" (1.9 cm).

Recessed cabinets project 7/8" (2.2 cm) from wall.



Product Diagram