

**Features**

- Includes mirror defogging
- Dimmable LED task lighting to 1%
- Compatible with most Triac/Phase-cut dimmers
- Energy efficient LED lighting:

Kelvin	2700
CRI	90+
Lumens*	1129
Lux**	291
R9 Value*	50+
Foot-candles**	27
Watt Output - LED	35
Watt Output - LED with defogger on	54

\* Based on a measurement of subset of sizes, shapes and lighting styles  
 † Measured at 18" from center of the mirror

**Construction**

- Anodized aluminum back frame
- Quality polished edge mirror
- Power cords installed for easy plugin installation
- Constructed for surface mounting
- Includes installation hardware

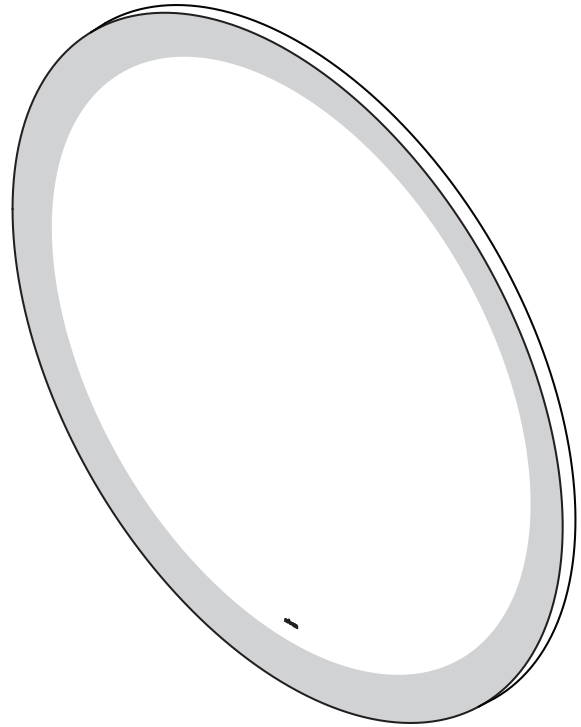
**Codes/Standards Applicable**

Vitality Mirror is UL certified to:

- UL 962
- CSA-C22.2, No. 12-82

**Dimensions**

Diameter : 30" (762 mm)  
 Depth: 1-3/4" (45 mm)

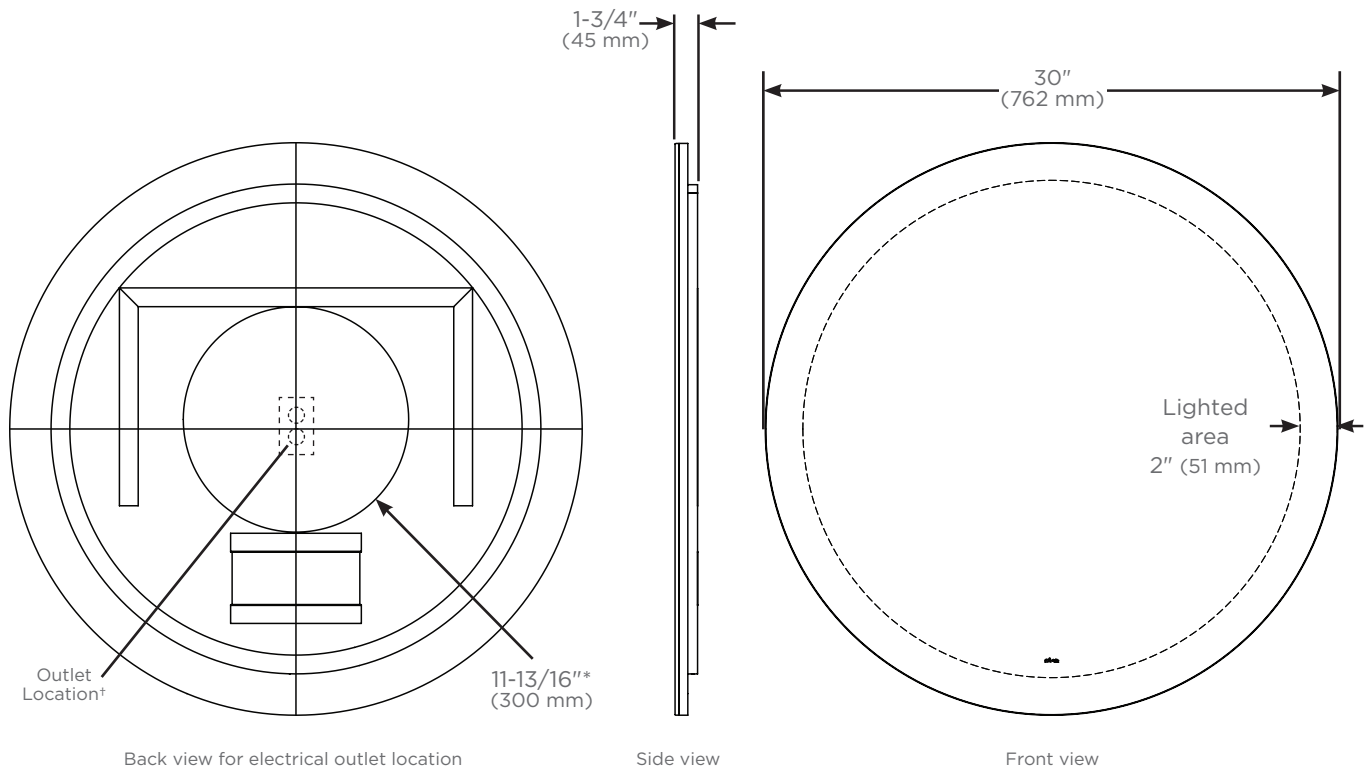


**Model Number Key**

<u>Vitality</u>	<u>Mirror</u>	<u>Diameter</u>	<u>Shape</u>	<u>Light Pattern</u>	<u>Edge Type</u>	<u>Options</u>	<u>Color Temp</u>
Y	M	0030	C = Circle	P = Perimeter	FP = Flat, Polished	D = Defogger	3 = 2700K

## Electrical System

- 120 Vac 60Hz (TBD) recessed wall outlet as shown in drawing



\* Defogger Size

† See instructions for wiring and location