



Specifications

Descriptions

- 4 outlets: two 1/2" outlets male NPT and two 3/4" outlets male NPT or 1/2" female NPT
- 2 thermo/pressure balance coaxial cartridges with check valves
- 2 integrated volume controls
- 2 different temperatures
- Service valves
- 3/4" inlet male NPT, dedicated main water supply required

Available colors

- C : Chrome

Available flows

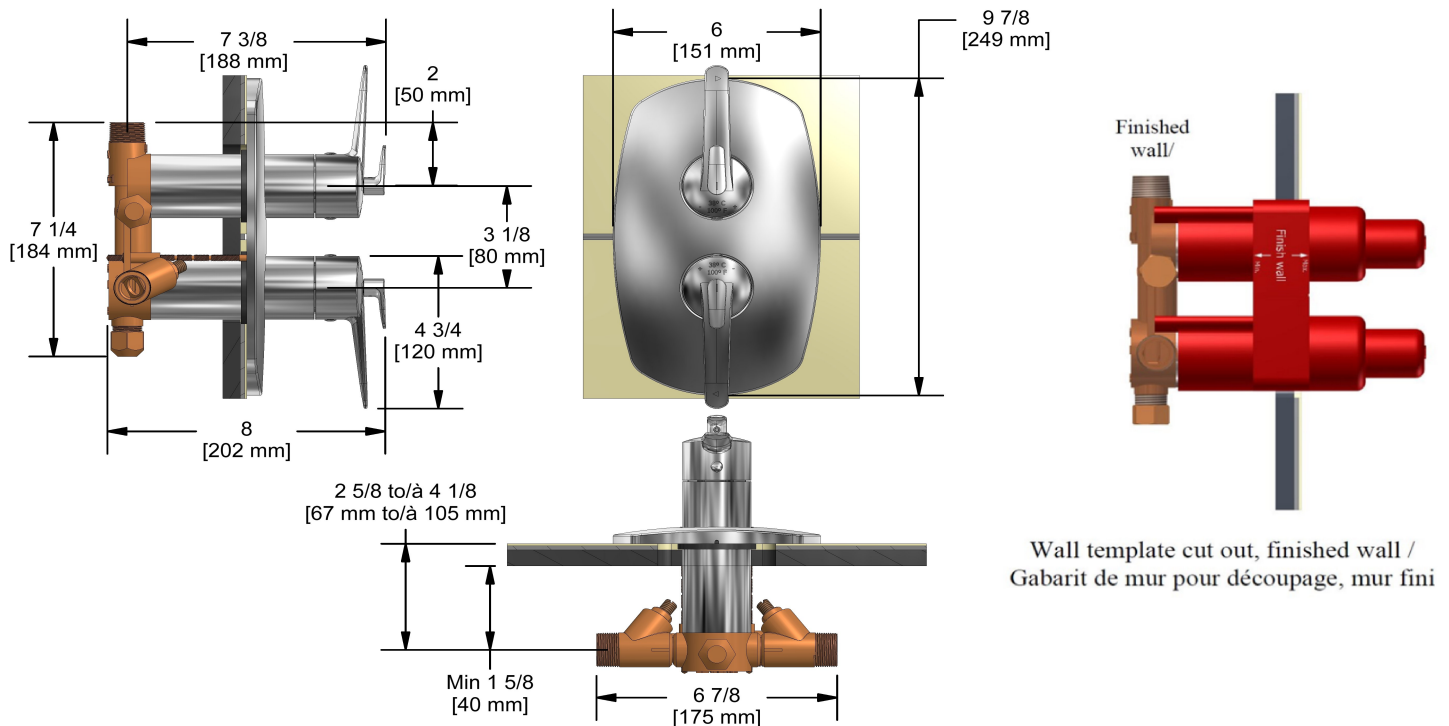
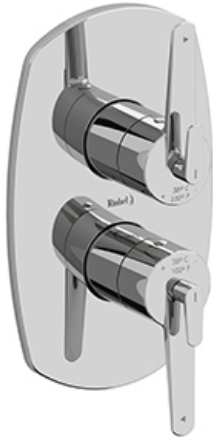
- Type TP - For use with shower heads rated at 7L/min (1.8 gpm) or higher
- 76 L/min, 20 gpm (US) 60psi

Certifications

- CSA B125.1
- ASME A112.18.1
- ASSE 1016
- CMR248 Approval
- ADA

4-way Type T/P 3/4" coaxial complete valve

VY83



Sizes, models and finishes may differ from those presented.

Warranty

This Riobel Inc. product you have purchased carries a Limited Lifetime Warranty on the chrome, PVD finish, blacks and all working parts and is guaranteed from the initial purchase date against all manufacturing defects. All other finishes, including plastic components, are guaranteed for one year. All electric and/or electronic parts are covered by a 5-year limited warranty. The warranty offered on our products will be honored only if the installation is performed by a certified master plumber.

Customer Care

Phone (800) 777 - 9762 | Email: customer-care@houseofrohl.com | Website: houseofrohl.com/support/contact-us

Consult your local House of Rohl showroom for additional information and specifications. For complete warranty details and a list of showrooms, go to houseofrohl.com