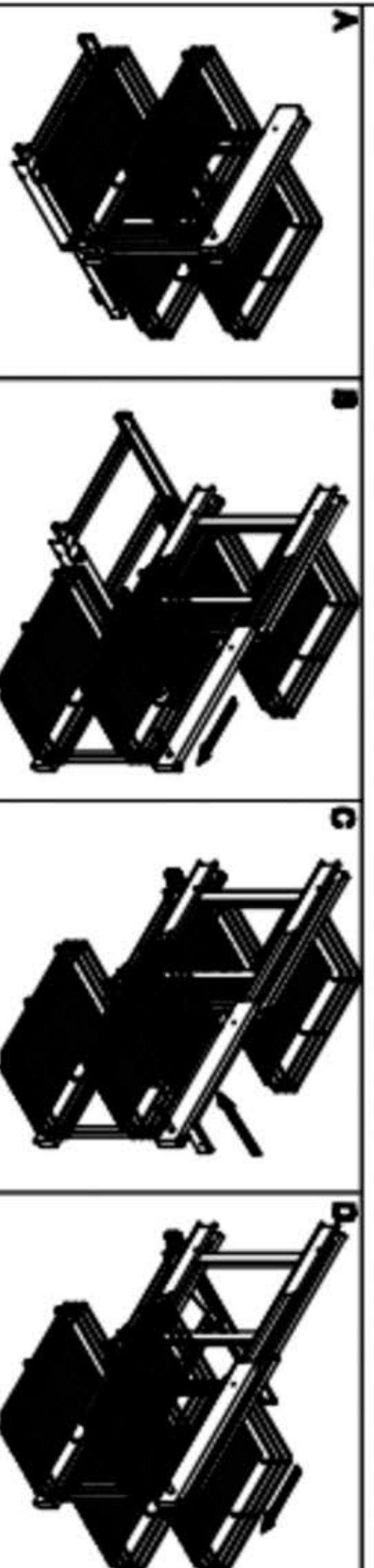
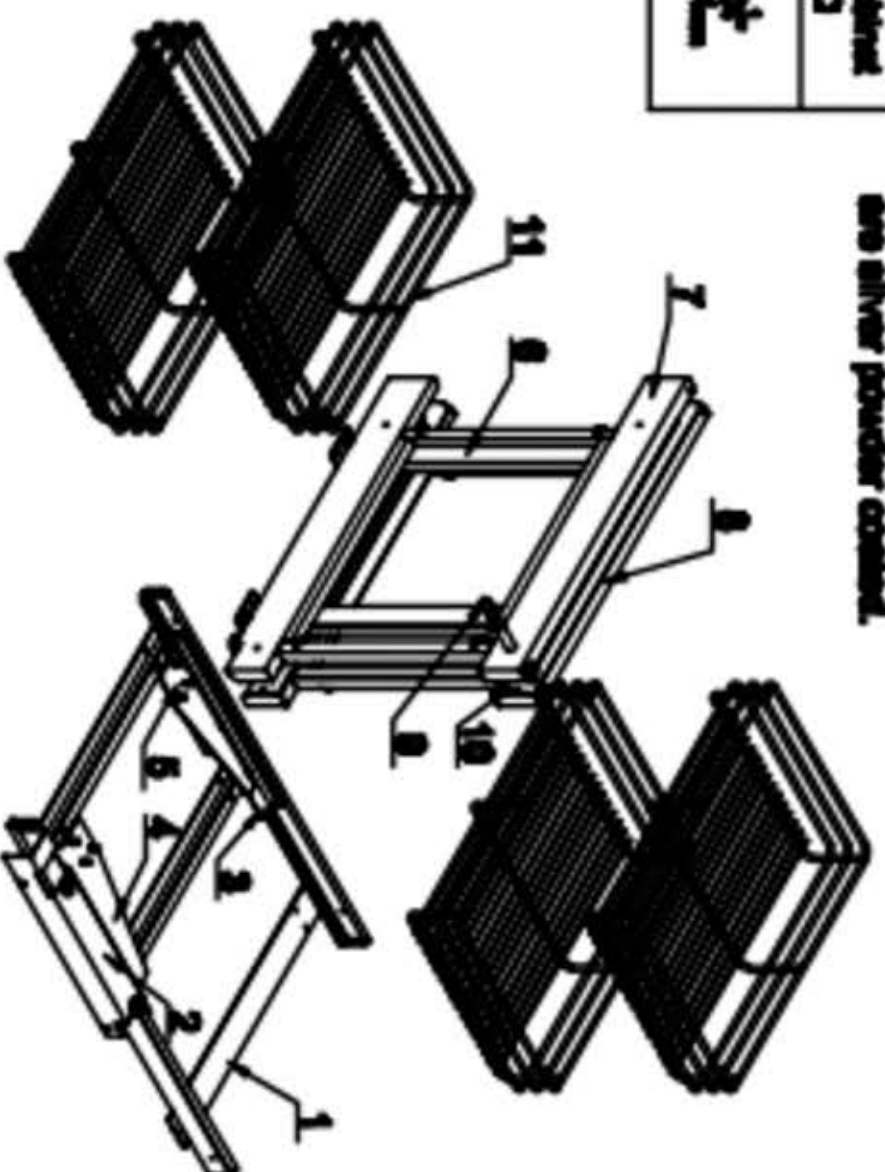


Assembly Instructions for CORNER OPTIMIZER (left)

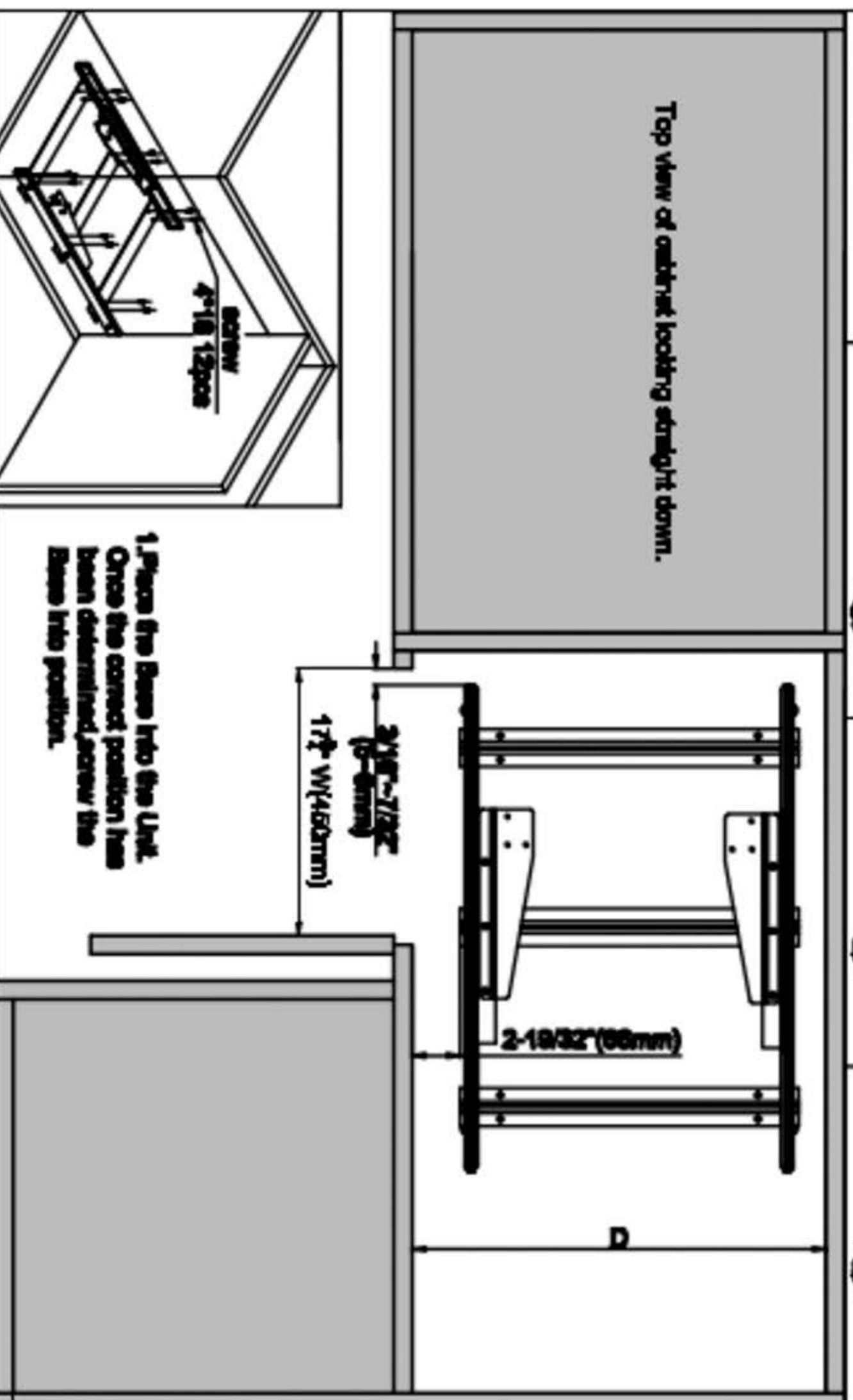
Size of Product W/D/H	Size of Insulated D/W/H	Min. Door Cabinet Open	Min. Cabinet Height	Min. Ins. Unit Depth of cabinet D
22 1/2" x 20 1/2" x 20 1/2" (570mm x 510mm x 510mm)	16 1/2" x 14 1/2" x 3 1/2" (420mm x 370mm x 89mm) (Front and Rear)	17 1/2"	21"	5 1/2"

Backplate and Chromasul® others
see other powder coated.

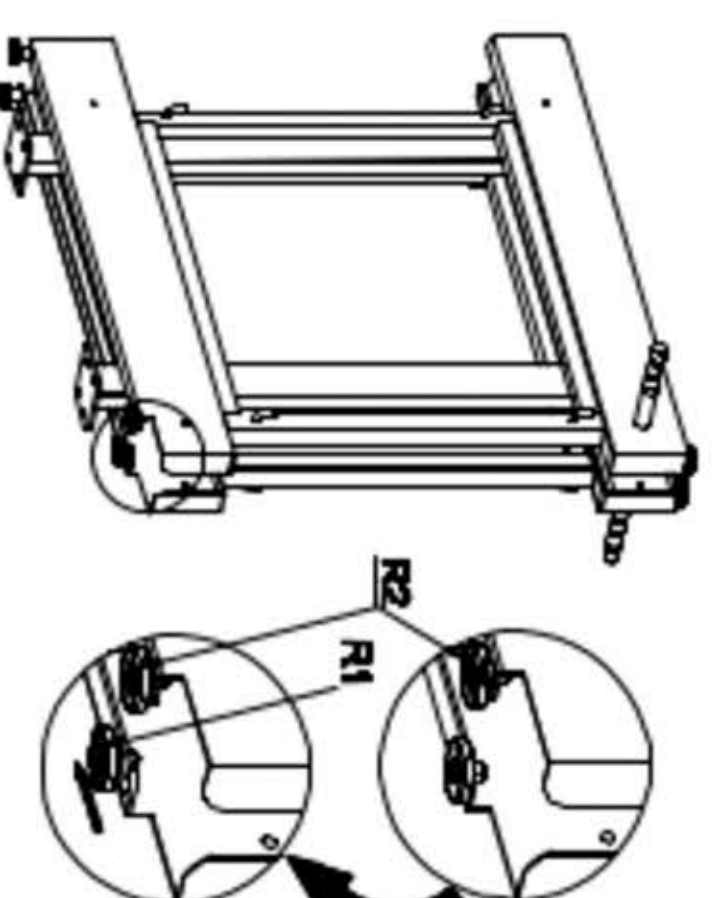
Hardware			
I	II	III	IV
1-Align	8-Adjuster	11-Backplate	4-Base
2-Guide channel	7-Adjust Guide	12-Adjuster	5-Base
3-Base	8-Link Guide	13-Adjuster	6-Base
4-Frame 1	9-Frame	14-Frame	7-Frame
8-Frame 2	10-Frame	15-Frame	8-Frame



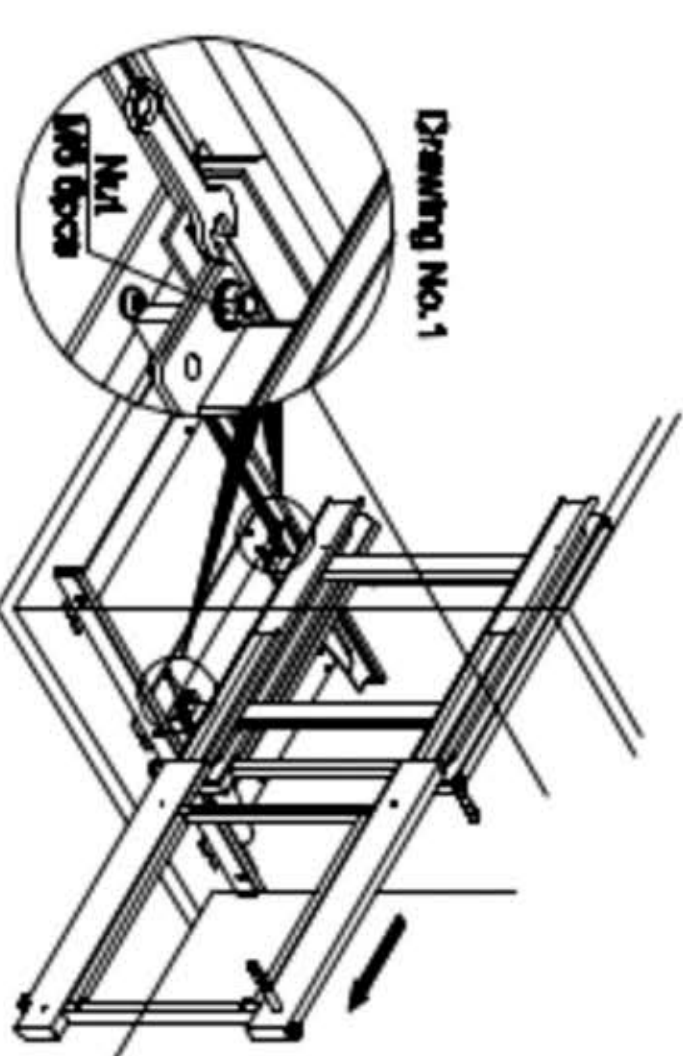
Top view of cabinet locking straight down.



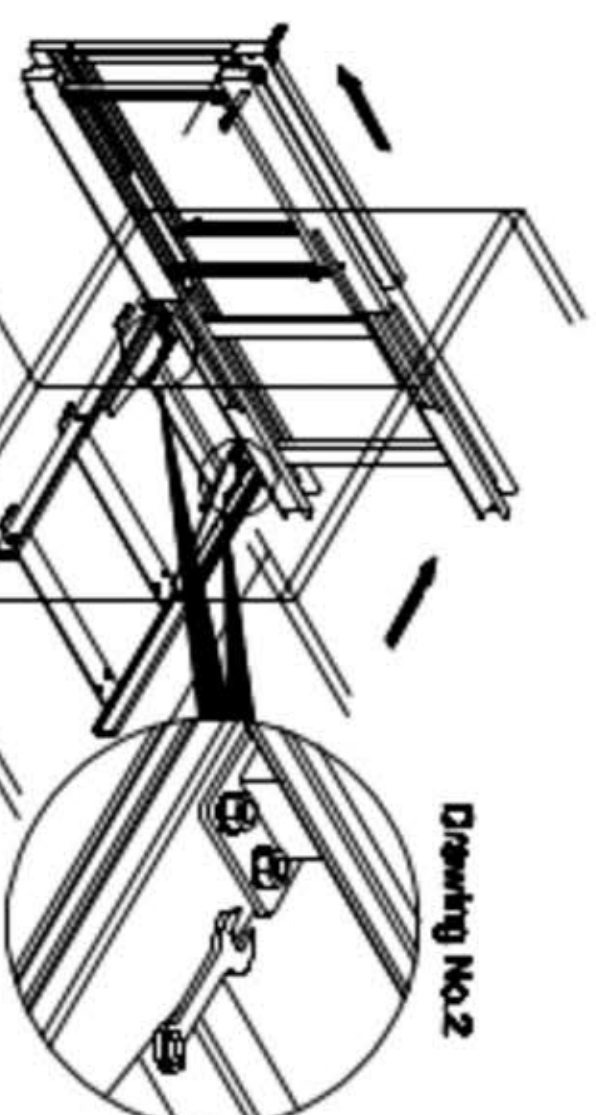
1. Place the Base into the Link.
Once the correct position has
been determined, screw the
Base into position.



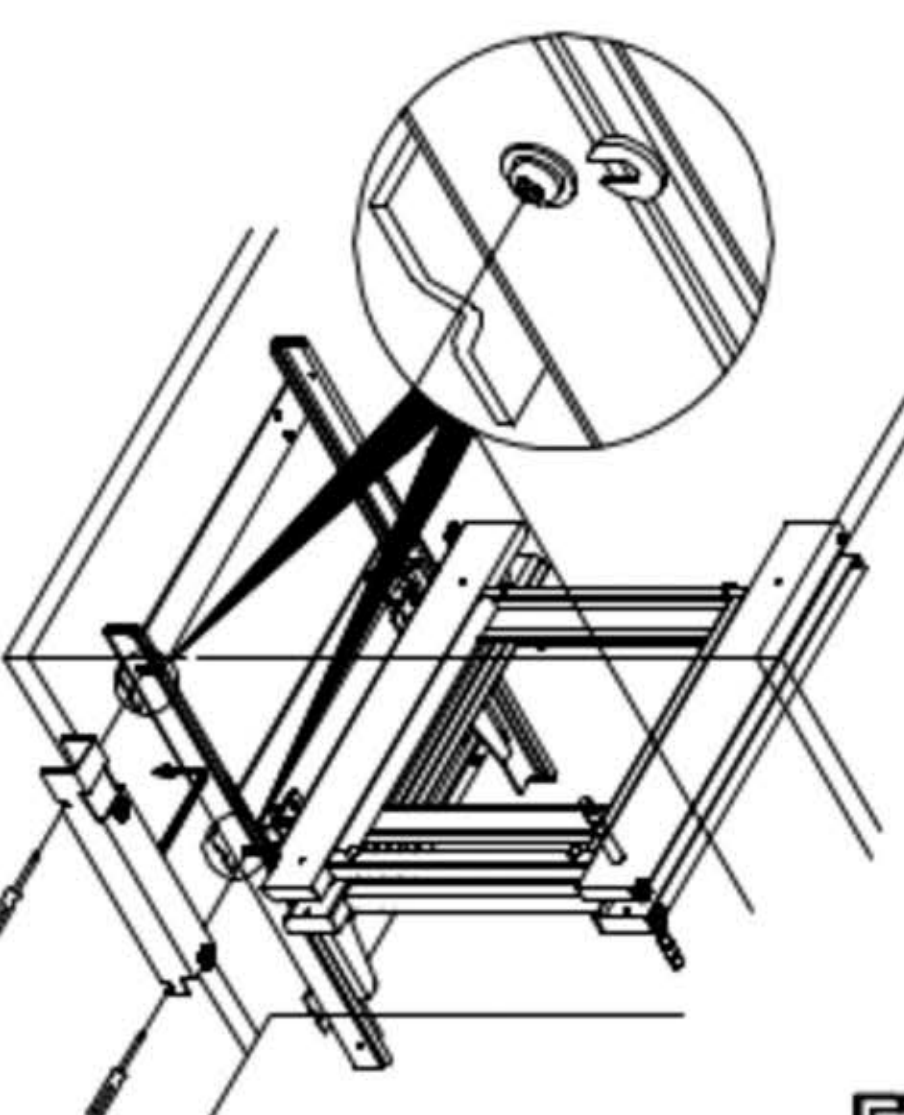
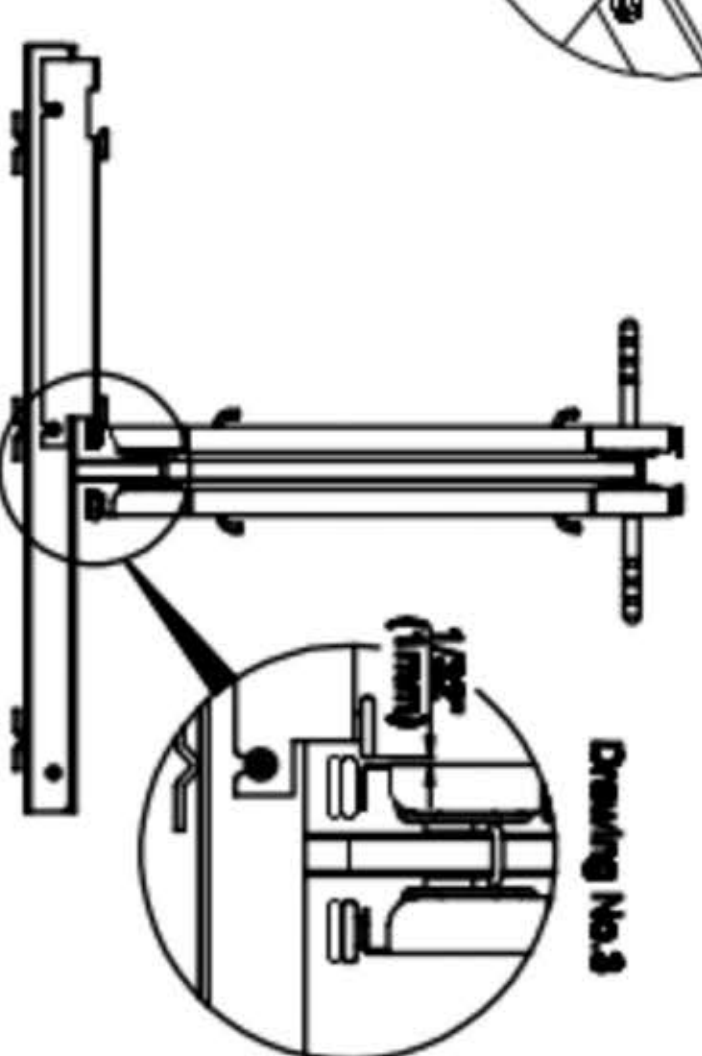
2. If using for **BLIND LEFT CORNER OPTIMIZER**,
loosen the nut and move R1 backward to the end of the
groove and tighten.



3.1. Move the slide to end of the base frame.
Place the Support and Catches onto the Base
and locate using 2 nuts supplied (referring
to drawing NO.1).



3.2. Move the slide to other end of the
base frame lightly and locate using
4 nuts supplied.
(referring to drawing NO.2)



4. Loosen the 2 screws on end of the base frame and take
off the Chromasul. Place the Guide channel onto the
Base and tighten using the 2 screws (referring to
drawing NO.3 & 4 for the adjustments if required).

