



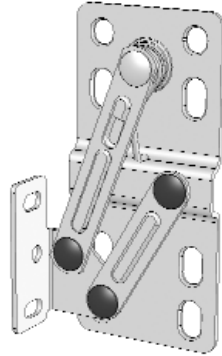
**LAZY DAISY®**  
BY **REV-A-SHELF®**

## Pivot Hinge / Sink Tray Installation Instructions

Series No. 274

### Parts List

- Pivot Hinge x 2 (1 left, 1 right)
- #8 x 1/2" Truss Phillips screw x 8
- #8 x 5/8" Flat-Head Phillips screw x 8
- Sink Tray x 2



Hinge (left shown)



#8 x 1/2" Truss Phillips screw x 8



#8 x 5/8" Flat-head Phillips screw x 8

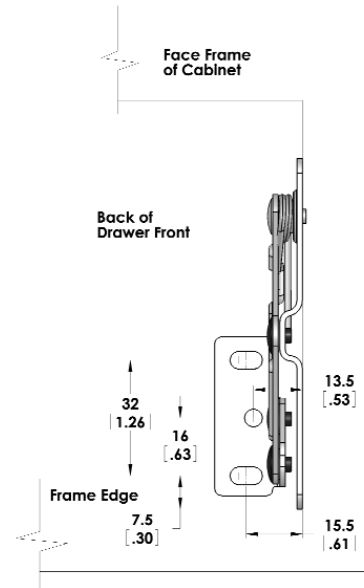
### Tools Required

- Phillips-head screwdriver
- Power Drill
- 1/8" Drill Bit

### Installing the Hinge to a Face Frame Cabinet

1. The drawer front on an existing cabinet must be removed before the pivot hinge can be installed. If this is the case, mark the drawer front on the back bottom corners before removal; mark from the inside of the cabinet. This ensures the drawer front is properly aligned when it is re-installed with the pivot hinges.
2. Using the hinge as a marking tool, place the hinge flush to the front edge and bottom edge of the opening. With a pencil, mark the top hole (a) and one bottom slot (b), then pre-drill with a 1/8" drill bit. (See Figure A for correct hole locations.)
3. Screw the hinge into place on the frame with the #8 x 5/8" flat-head Phillips screws (included).

Figure A



### Installing the Hinge to a Frameless Cabinet

1. The only difference from the instructions above is that the pivot hinge is mounted to the side of the cabinet itself instead of to a frame. The other installation instructions remain the same.



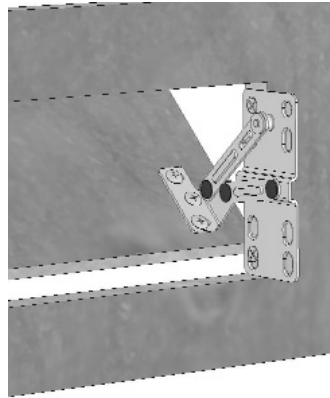
**LAZY DAISY®**  
BY **REV-A-SHELF®**

## Pivot Hinge / Sink Tray Installation Instructions (cont.)

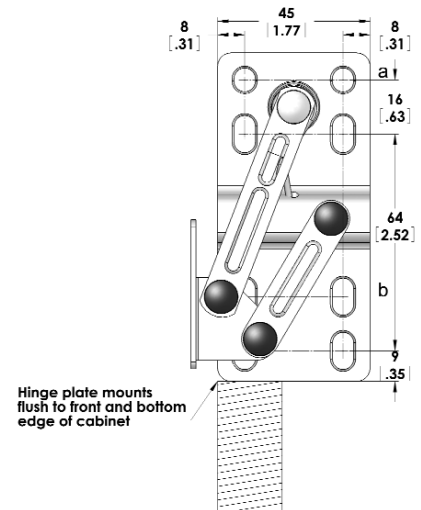
Series No. 274

### Installing the Drawer Front to the Hinge

1. Using the marked corners (see step 1 of Installing the Hinge to a Face Frame Cabinet), lay out the hole locations for fastening the drawer front to the hinge. See the dimensions on Figure B.
2. Pre-drill the drawer front using the slot locations (a) and the center hole (b). Using center hole (b) is optional.
3. Use the #8 x 1/2" truss Phillips screws to mount the hinge to the drawer front. Keep the screws sufficiently loose to allow for door adjustment before final tightening. Once all the adjustments have been made, the center hole can be used, if desired, as a locking screw hole, keeping the drawer front's position secure.



**Figure B**



### Installing the Sink Tray

1. If there is a pull on the drawer front, which has a screw attaching it on the inside of the drawer front, the screw-head must be flush or countersunk in order to install the sink tray.
2. Install the sink tray by positioning it on the inside of the drawer front. The bottom of the tray should be 1/4" above the bottom face frame rail and centered horizontally. Using the sink tray as a guide, mark the holes and pre-drill. Install with the #8 x 1/2" truss Phillips screws (included). Do not fully tighten the screws, so that the tray can be removed for cleaning.

