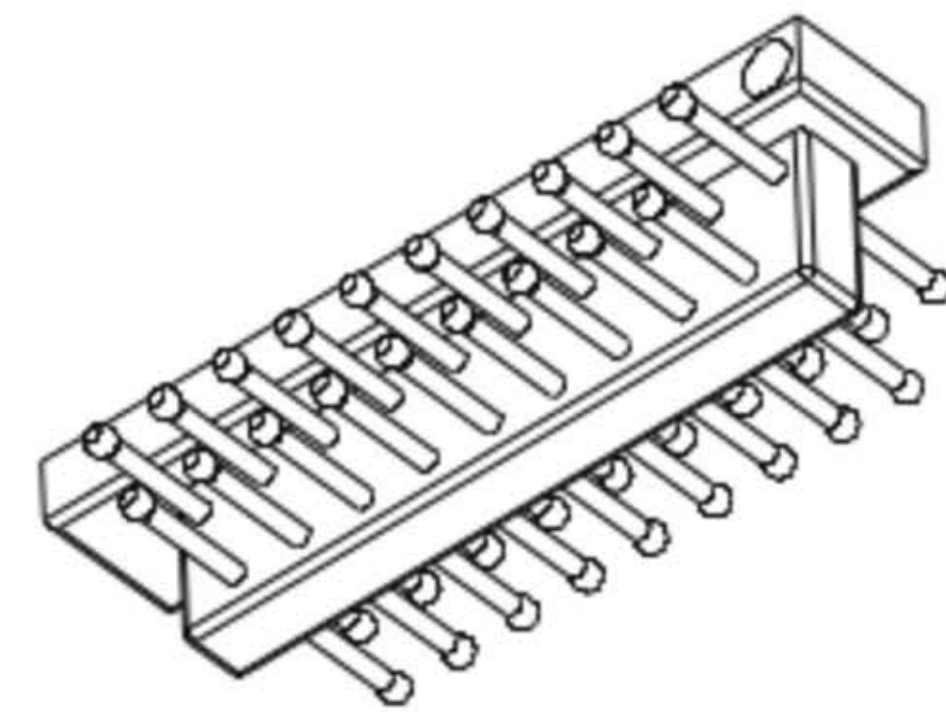
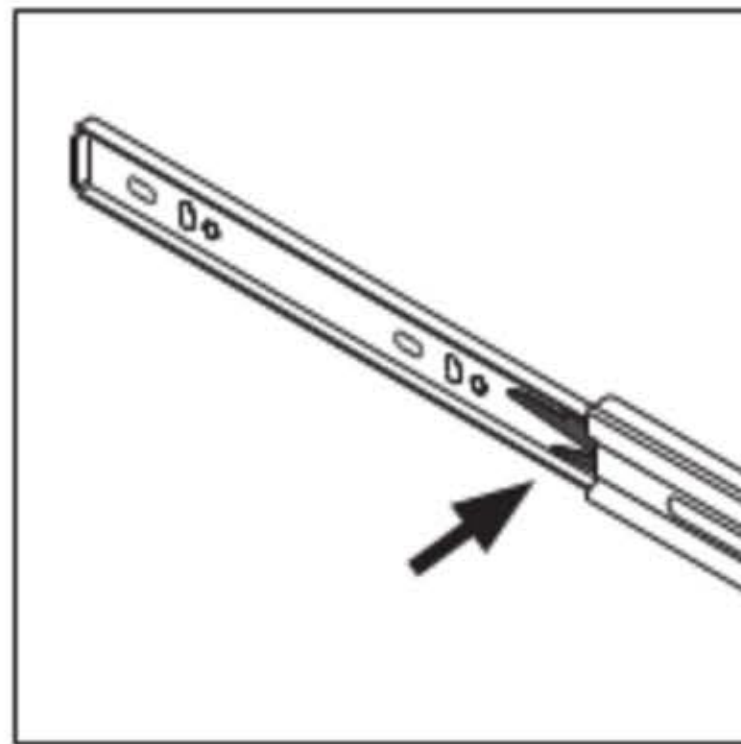




1) Release slide from unit by pressing trigger



2) Attach to underside of shelf using screws provided.  
 Euro screws can be used if closet utilizes system holes.

