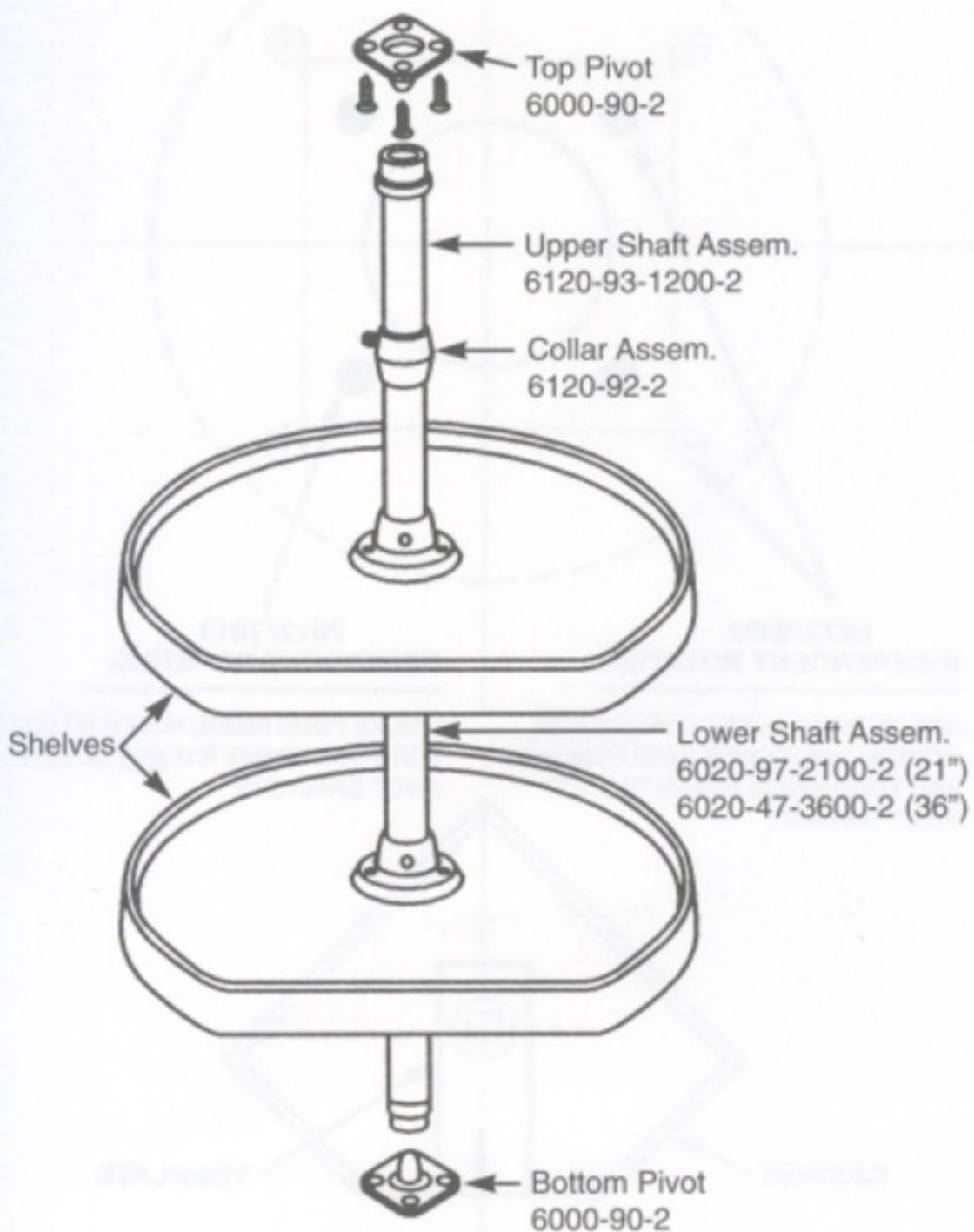


## DEPENDENTLY ROTATING HARDWARE



## INDEPENDENTLY ROTATING HARDWARE

