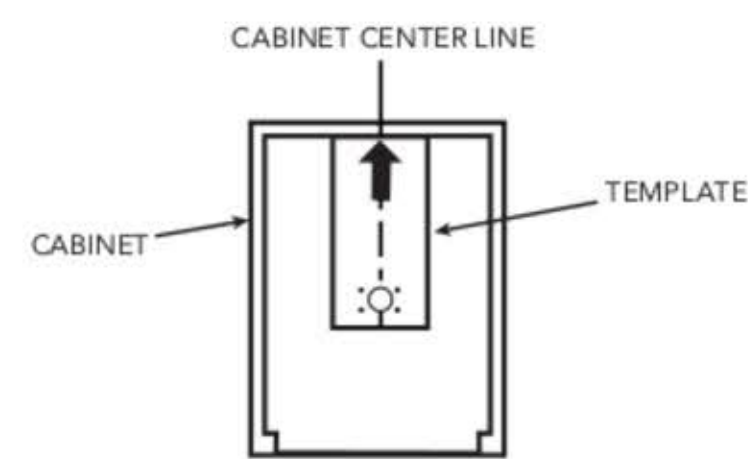
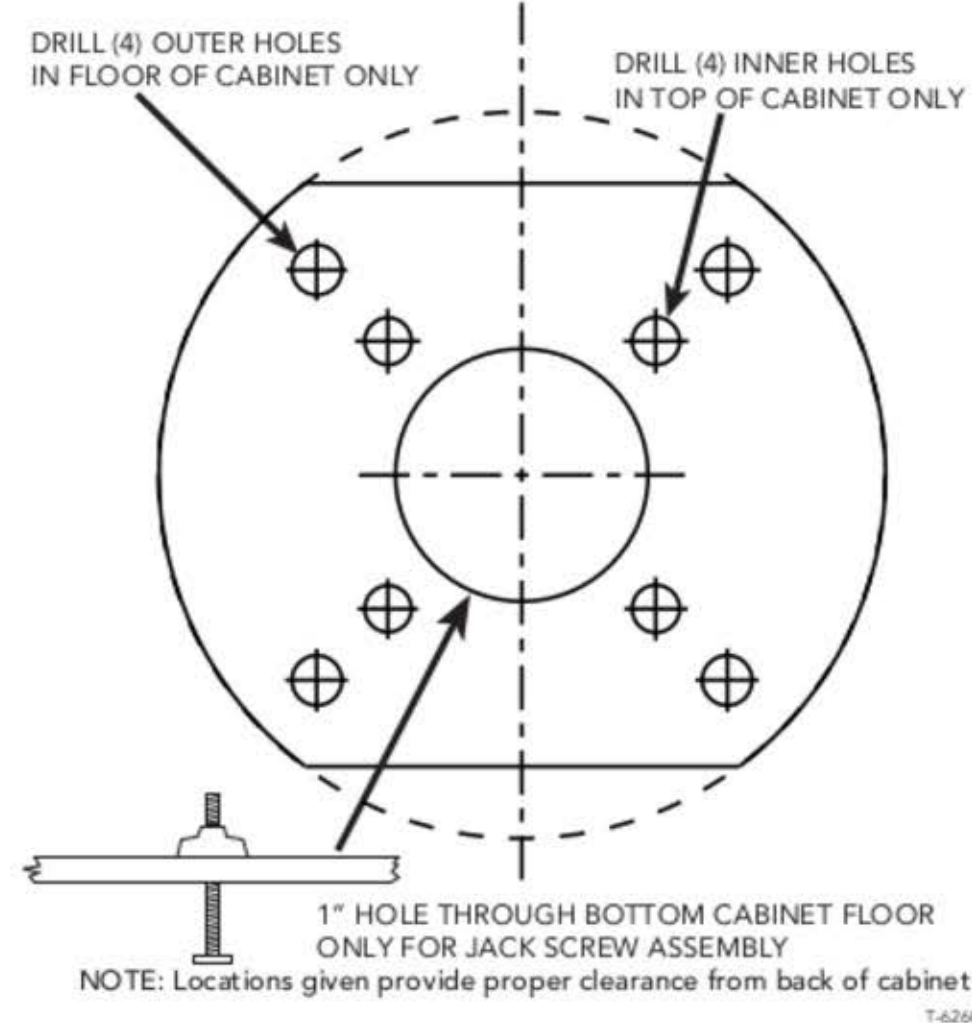


Cut template according to tray size

1. Mark center line of cabinet.
2. Place template on center line of cabinet and butt edge of template against back of cabinet (arrow pointing towards back).
3. Mark and drill mounting holes, using 1/8" diameter drill bit or equivalent.
4. Repeat for upper mounting bracket.



12400 Earl Jones Way
Louisville, KY 40299
rev-a-shelf.com
800-626-1126



NOTE: Locations given provide proper clearance from back of cabinet

T-6260-0818