

8" SOFT-CLOSE PULLOUT WITH BLUM TANDEM SLIDES WITH BLUMOTION

TOOLS REQUIRED:



ESTIMATED ASSEMBLY TIME:

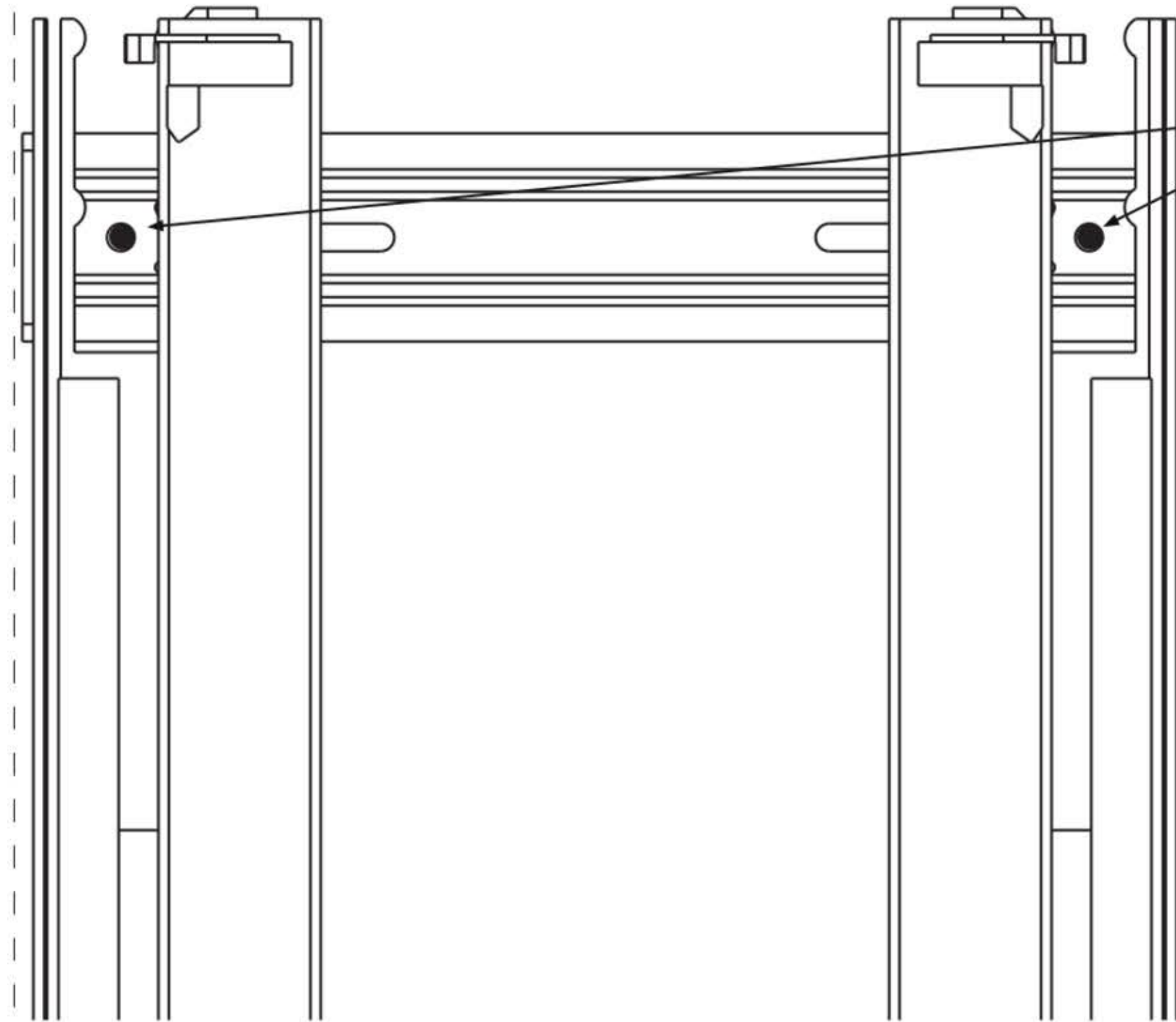
30 MIN

CARE AND MAINTENANCE:

Clean with a damp cloth and wipe parts dry.

PARTS LIST

- Frame/Slide assembly
- (4) #6 x 1/2" flat head screw
- (4) #8 x 3/4" deep thread pan head screw
- Template
- Rub Bushing Kit



Screw and Pilot Hole Location (4) Places

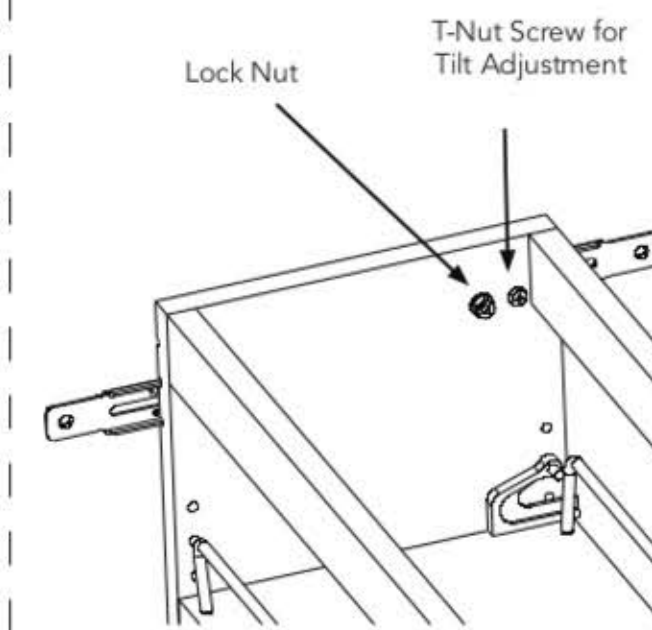


Fig 1

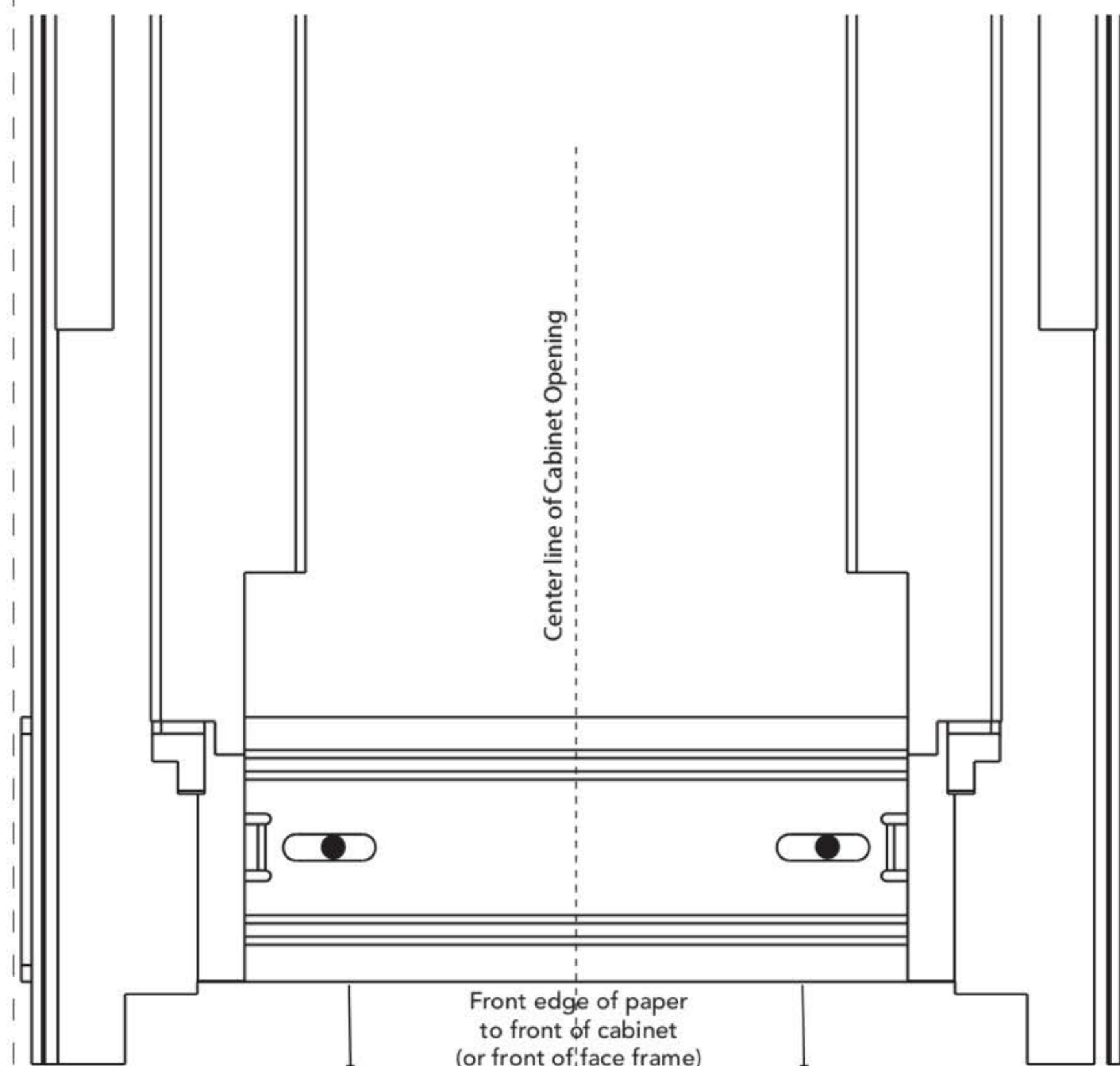
Attaching slide to cabinet

- 1) Using the mounting template locations, pre drill 4 holes using a 3/32" drill bit.
- 2) Remove template and attach the slide assembly to the floor of the cabinet using (4) #8 x 3/4" deep thread screws provided.
- 3) With the slides in the fully closed position, place the frame on the slides and push back until you feel the slides engage the locking devices (you will hear a click sound). Fully cycle the frame a few times.

Attaching the cabinet door

- 1) Loosen the (4) lock nuts (3/8" wrench) inside the front wall of the unit. (See Fig 1)
- 2) Pull the Adjustable Door Mounting Brackets to ensure that you are mounting to the "thick" portion of the cabinet door. (Front of pull out should line up with front of face frame).
- 3) Use the (4) #6 x 1/2" flat head screws provided to attach the door to the pullout unit.
- 4) If the door needs to be tilted to lay flush against the face frame, loosen the 8mm nuts and turn the "T-Nut" screws so that it pushes against the metal bracket. Each corner can be adjusted independently. (Note: It is recommended that door bumpers be used on each corner to ensure quiet operation)

Install rub bushings using enclosed kit and instructions (Note: Chassis may need to be removed for proper installation)



Fold Template along this edge to fit cabinet opening.