

# Installation Instructions for the File Drawer System

Part # RAS-SMFD-52, RAS-LGFD-52



**Part List**

a - End Support (2)

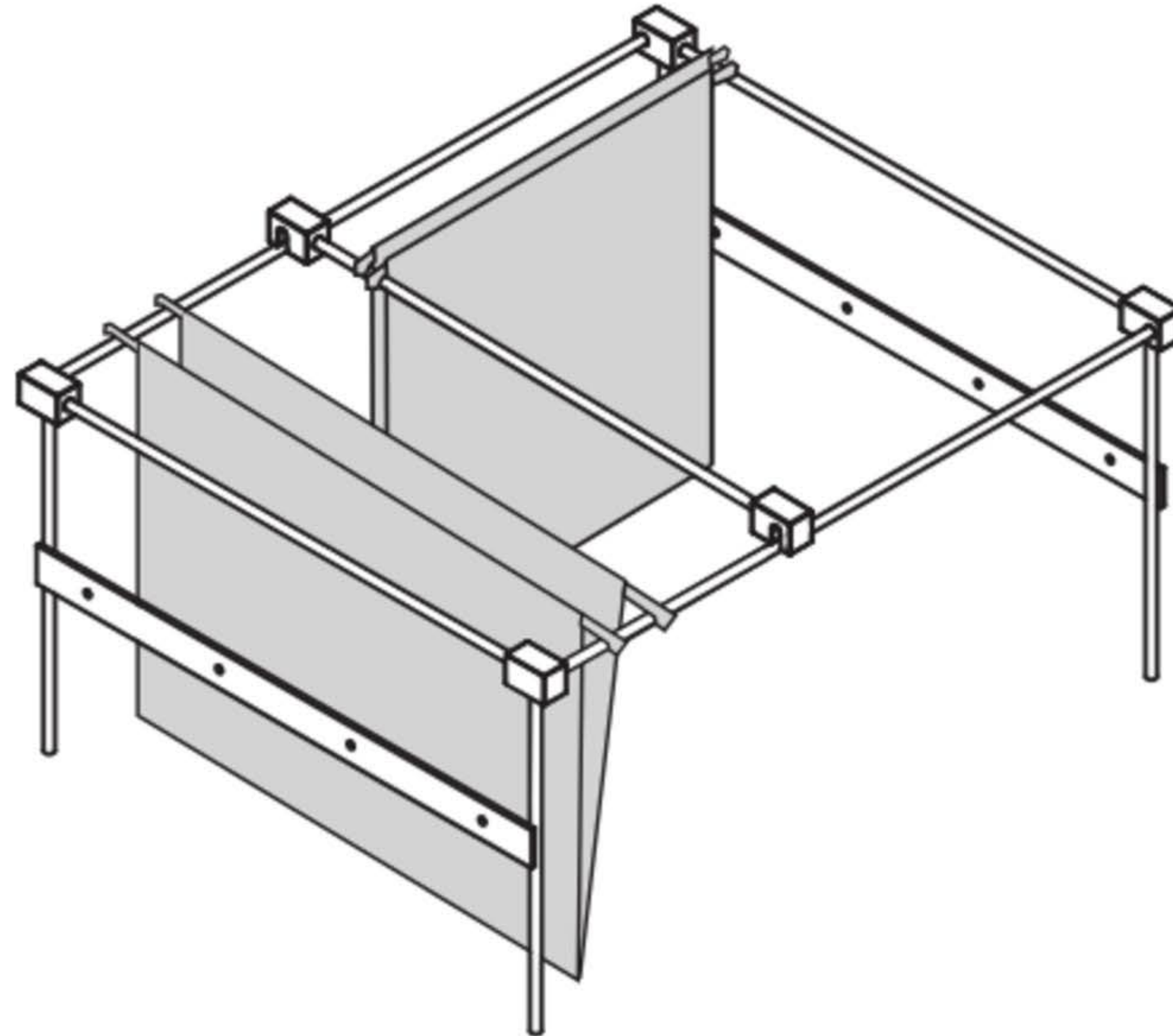
b - T-Rod (1)

c - Metal Runner (2)

**Tools Needed**

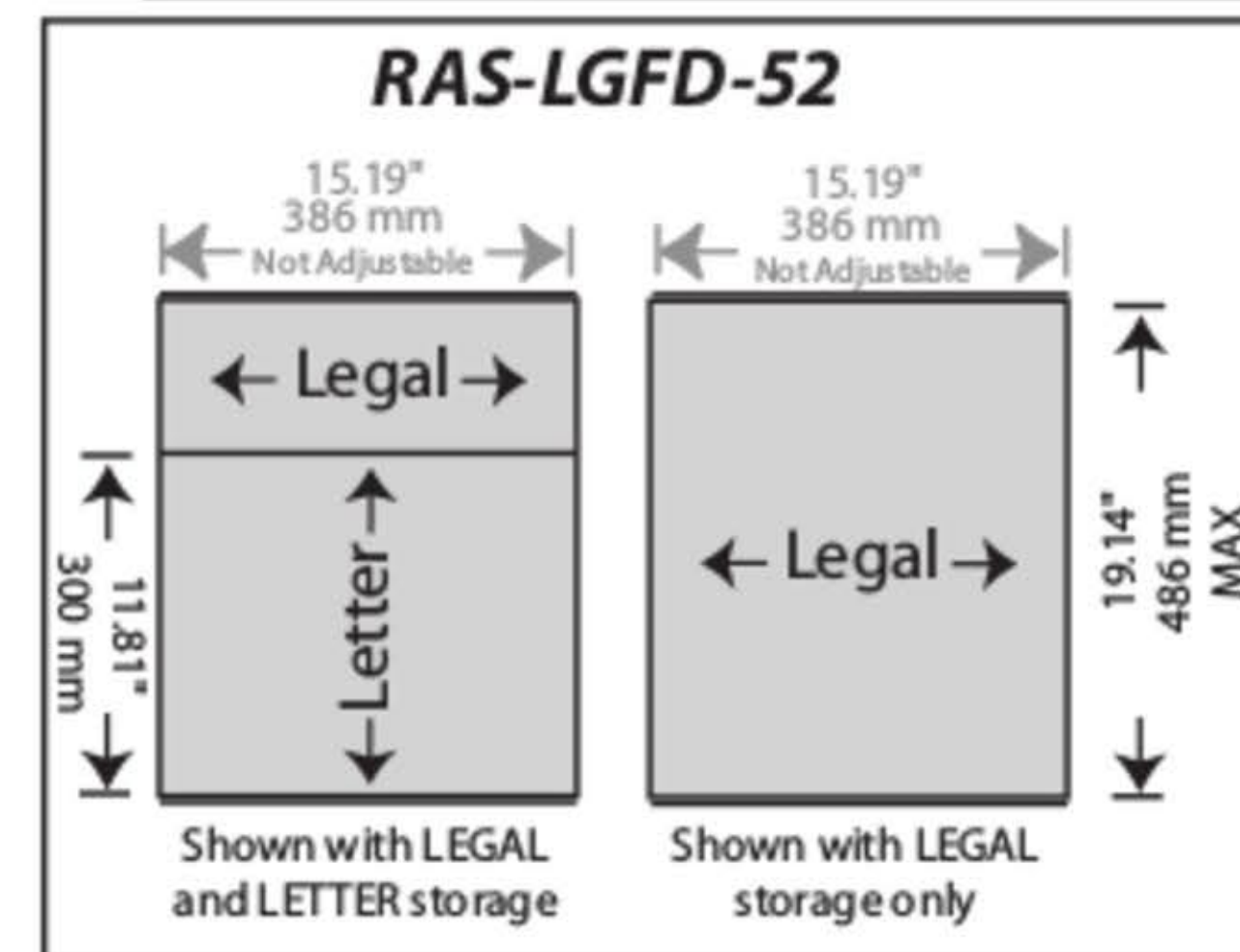
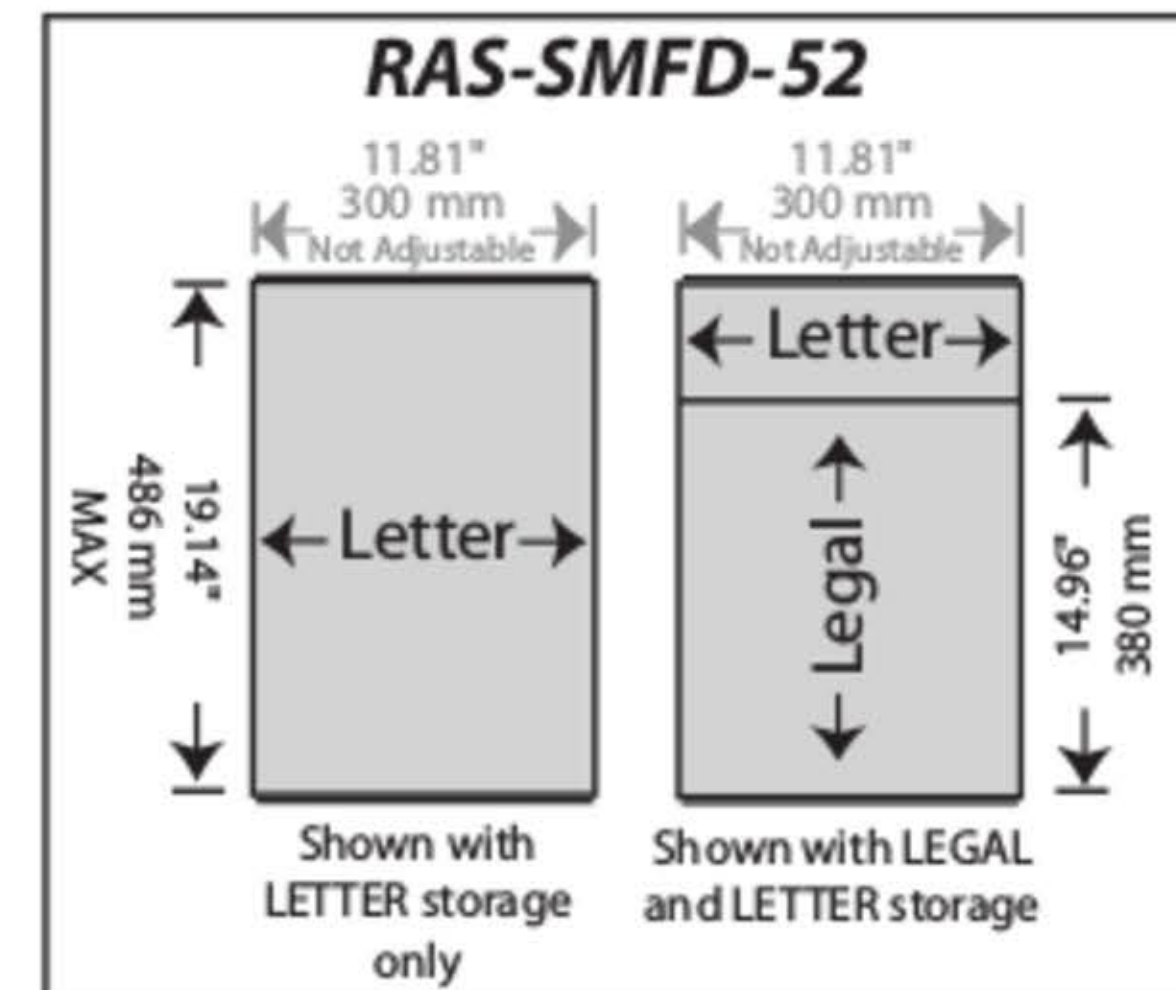
Hacksaw

Phillips head screwdriver



## Instructions

1. Measure drawer inside dimension, front to back
2. Using this dimension, cut Metal Runners (C) with hacksaw
3. Place End Supports (A) into drawer
4. Press fit Metal Runners (C) into End Supports (A)
5. Using screws provided, attach End Supports (A) to drawer box walls.
6. Attach T-Rod (B) to Metal Runners (C) for legal and letter size storage.



Questions?  
Call our Customer Service Specialist at  
800-626-1126  
[www.rev-a-shelf.com](http://www.rev-a-shelf.com)