



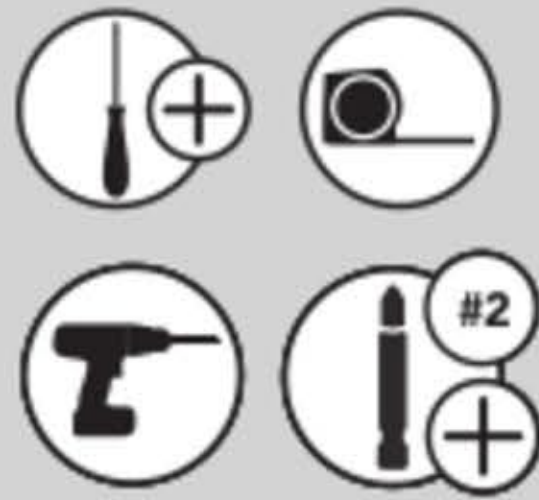
12400 Earl Jones Way
Louisville, KY 40299
rev-a-shelf.com
Customer Service: 800-626-1126



INSTALLATION INSTRUCTIONS

CO AND 5CW2 SERIES

TOOLS REQUIRED:



ESTIMATED ASSEMBLY TIME:

20 MIN

CARE AND MAINTENANCE:

Clean with a damp cloth and wipe parts dry.

WATCH TUTORIALS OF OUR PRODUCTS BEING INSTALLED

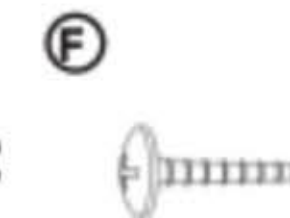
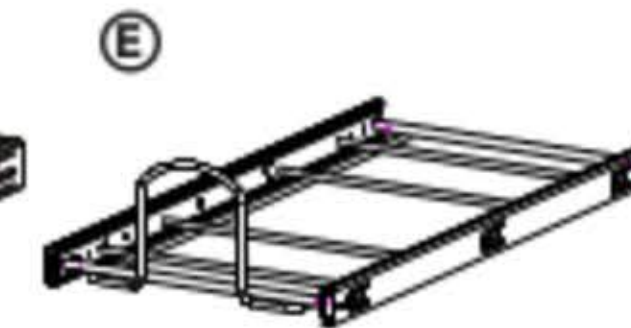
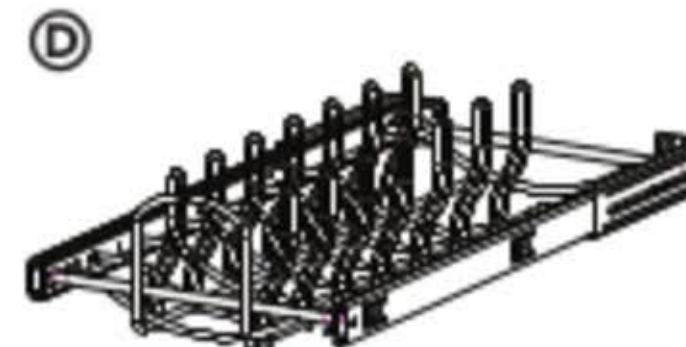
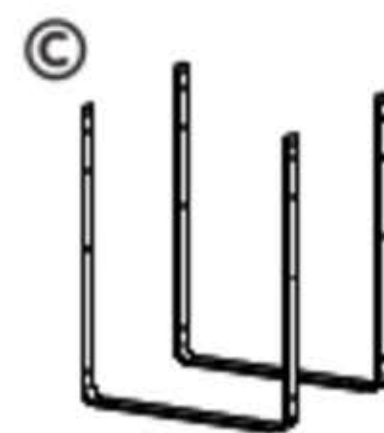
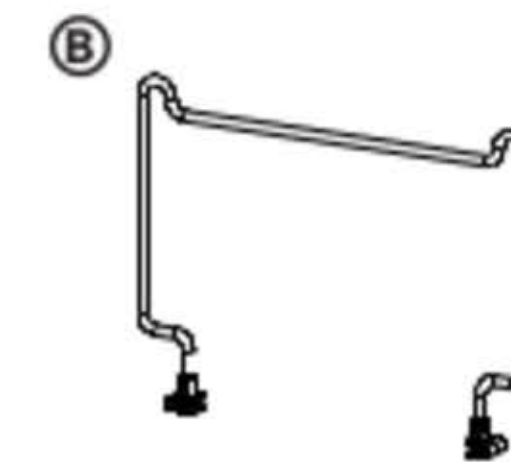


WWW.REV-A-SHELF.COM/VIDEOS



PARTS LIST

No.	Description	Qty.	
A	Dividers*	7	14
B	Handle Bar*	1	2
C	U-Shaped Support Brackets	2	
D	Upper Slide Shelf	1	
E	Lower Slide Shelf	1	
F	3/4" Wood Screws	4	
G	Machine Screws	16	
H	1/2" Wood Screws	5	



* CO-15 and 5CW2-1222 Series come with 7 Dividers and 1 Handle Bar.
CO-21 and 5CW2-2122 Series come with 14 Dividers and 2 Handle Bars

Note 1: Be sure to measure cabinet opening and basket width to make sure basket will clearly pull out of the cabinet without interference.

Note 2: All cabinets are built and constructed differently, some have a built-in shelf that is not easily removeable. This organizer can still be installed with the shelf in place, but note some taller items could hit the shelf when opening and closing.