



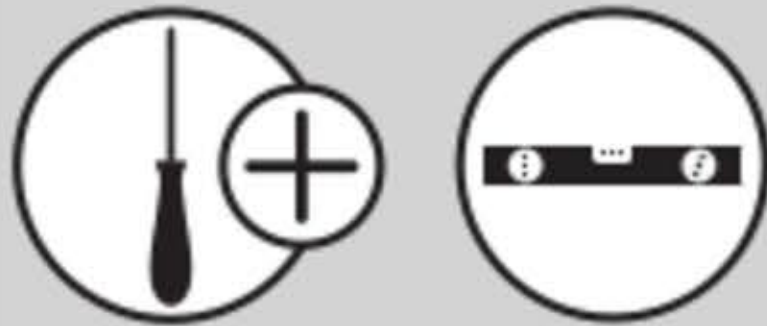
12400 Earl Jones Way
Louisville, KY 40299
rev-a-shelf.com
Customer Service: 800-626-1126



INSTALLATION INSTRUCTIONS

PULLOUT TOWEL HOLDER

TOOLS REQUIRED:



ESTIMATED ASSEMBLY TIME:

5 MIN

CARE AND MAINTENANCE:

Clean with a damp cloth and wipe parts dry.

PARTS LIST

- (1) Towel Bar Assembly
- (4) Phillips Head Screws

STEP 1

Once you determine where the towel holder will be installed, lay the holder flush against the wall with the front of the slide facing the cabinet opening. Use a level and mark the (4) hole locations through the slides.

STEP 2

(Fig. 1) Lay the towel holder over the (4) marked holes from Step 1 and install with the (4) Phillips head screws provided. Once installed, slide towel bar cover into place. (Fig. 2)



FIG. 1

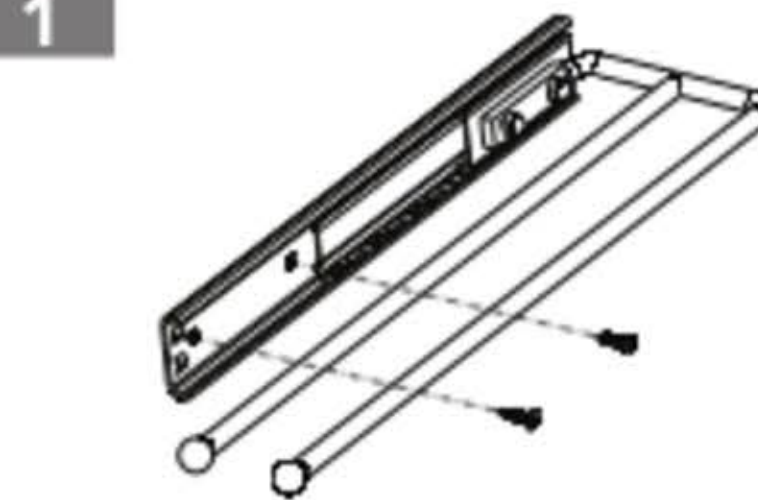


FIG. 2

