

REV·A·SHELF®



2409 Plantside Drive
Jeffersontown, Kentucky 40299
Phone: 1-800-626-1126 (toll free)
www.rev-a-shelf.com

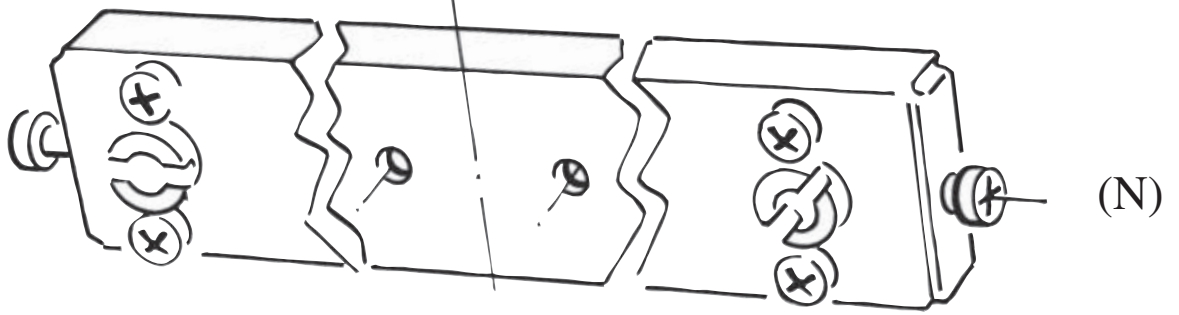
COMPAGNUCCI®



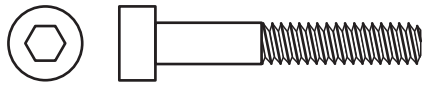
Serie510 Pull-Out Pantry with double Self Soft Closing sistem

Installation instruction

1



2



M5 x 35 pz. (2 x N)

3



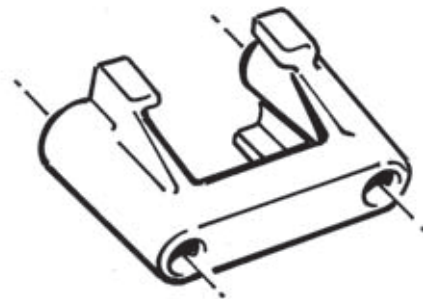
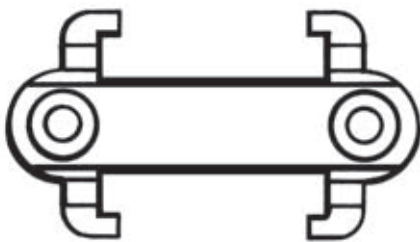
Ø 4 x 20 pz. (2 x N)+11

4



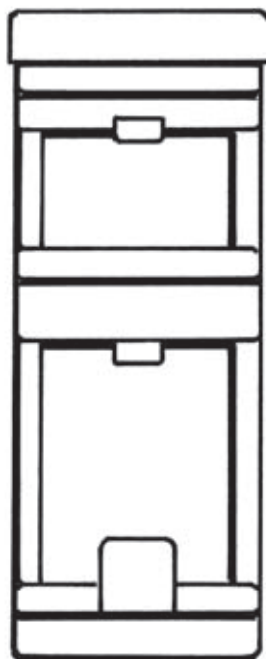
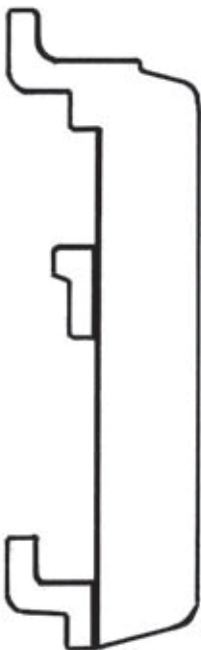
Ø 6,3 x 20 pz. (2 x N)+8

5

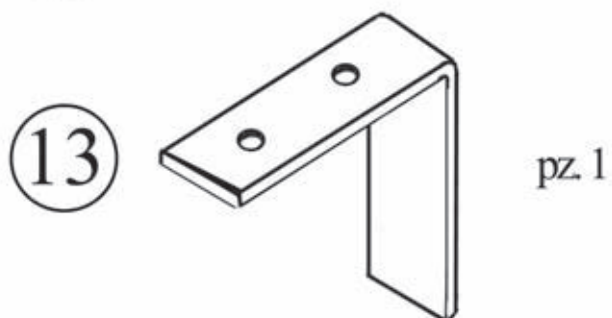
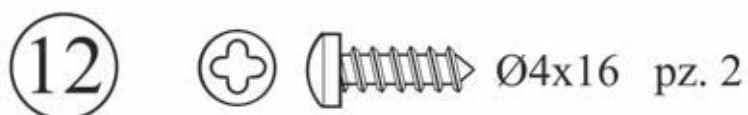
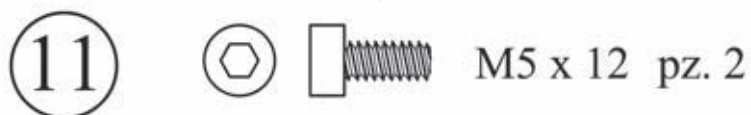
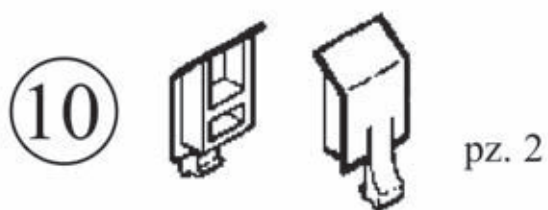
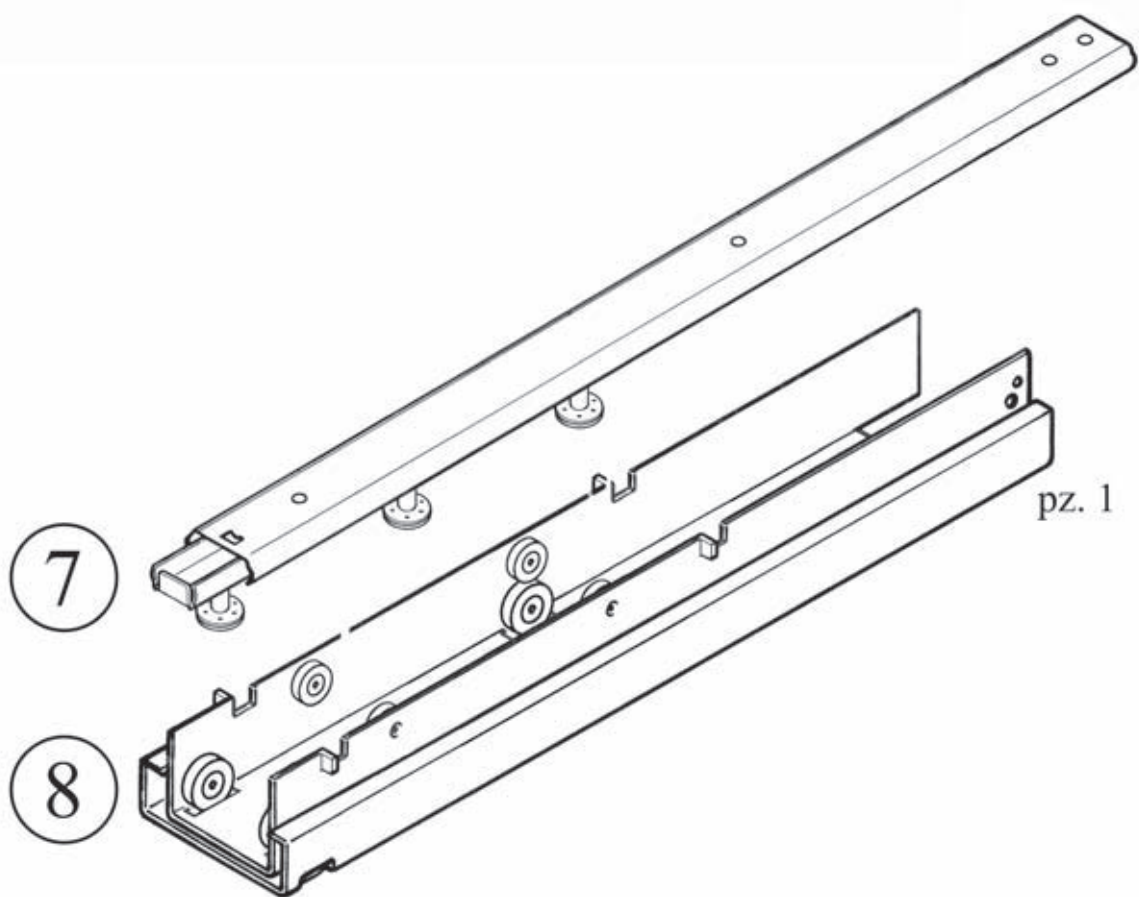


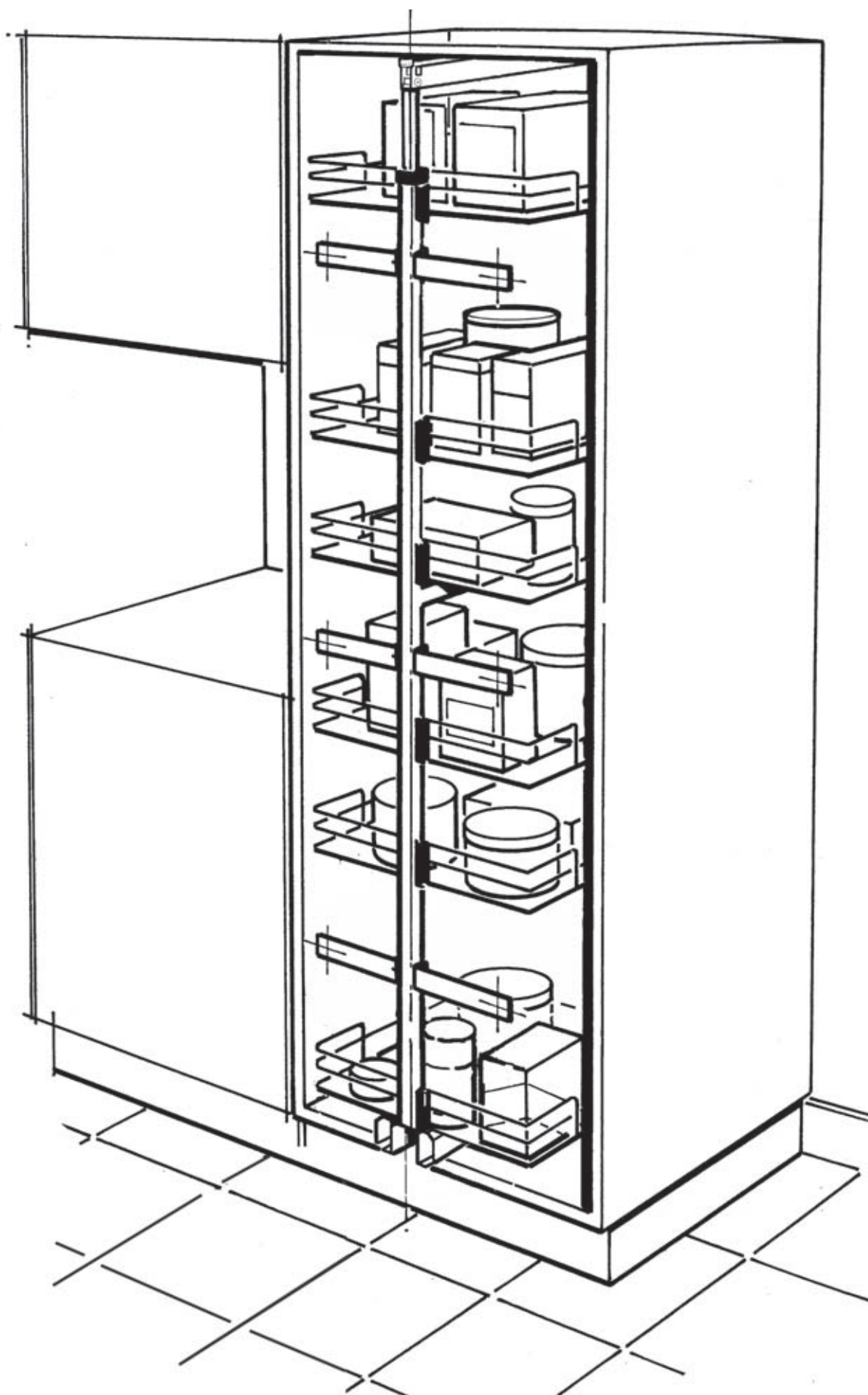
(1 x N)

6

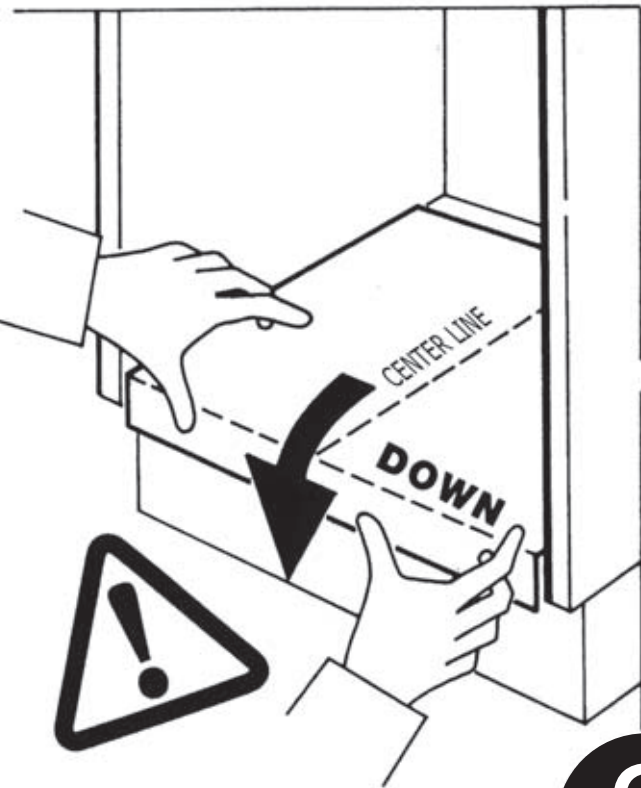


Polymer
Shelf
Bracket

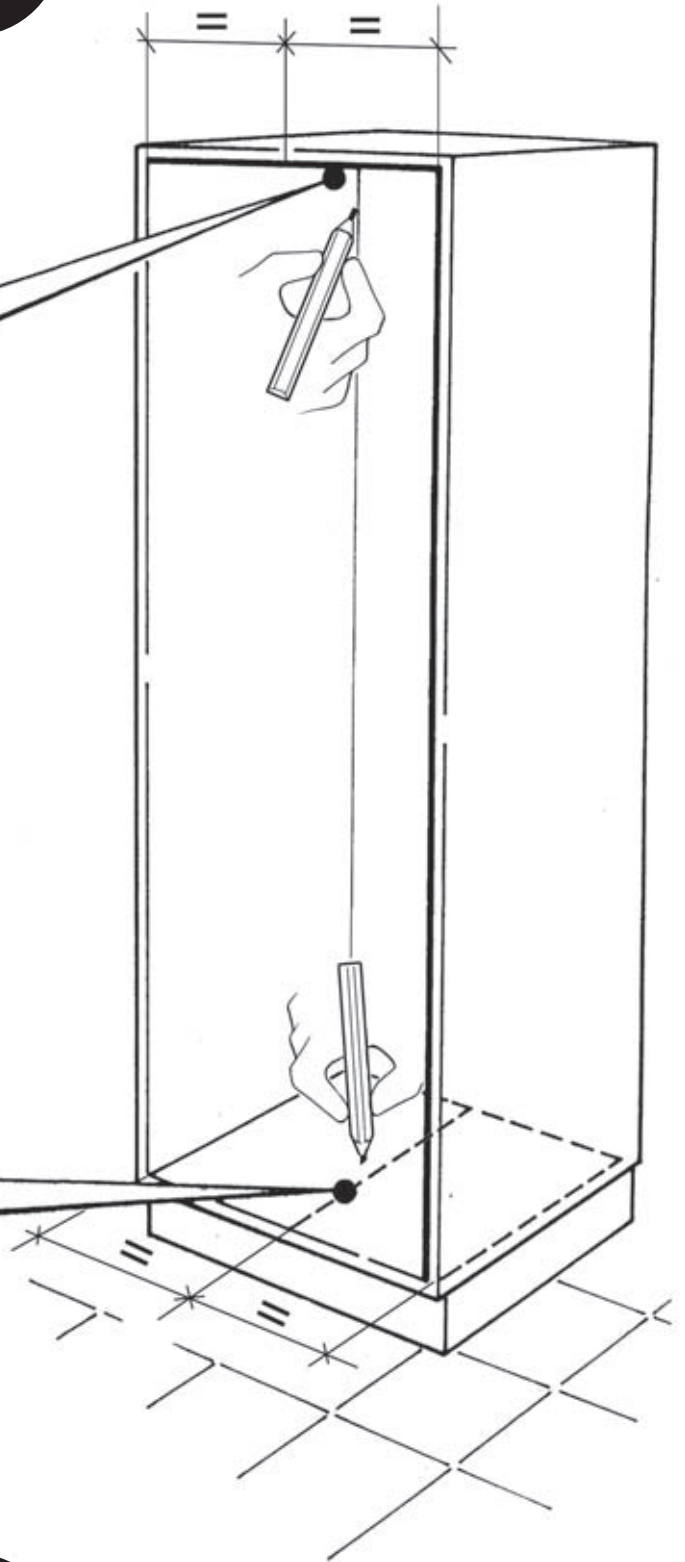


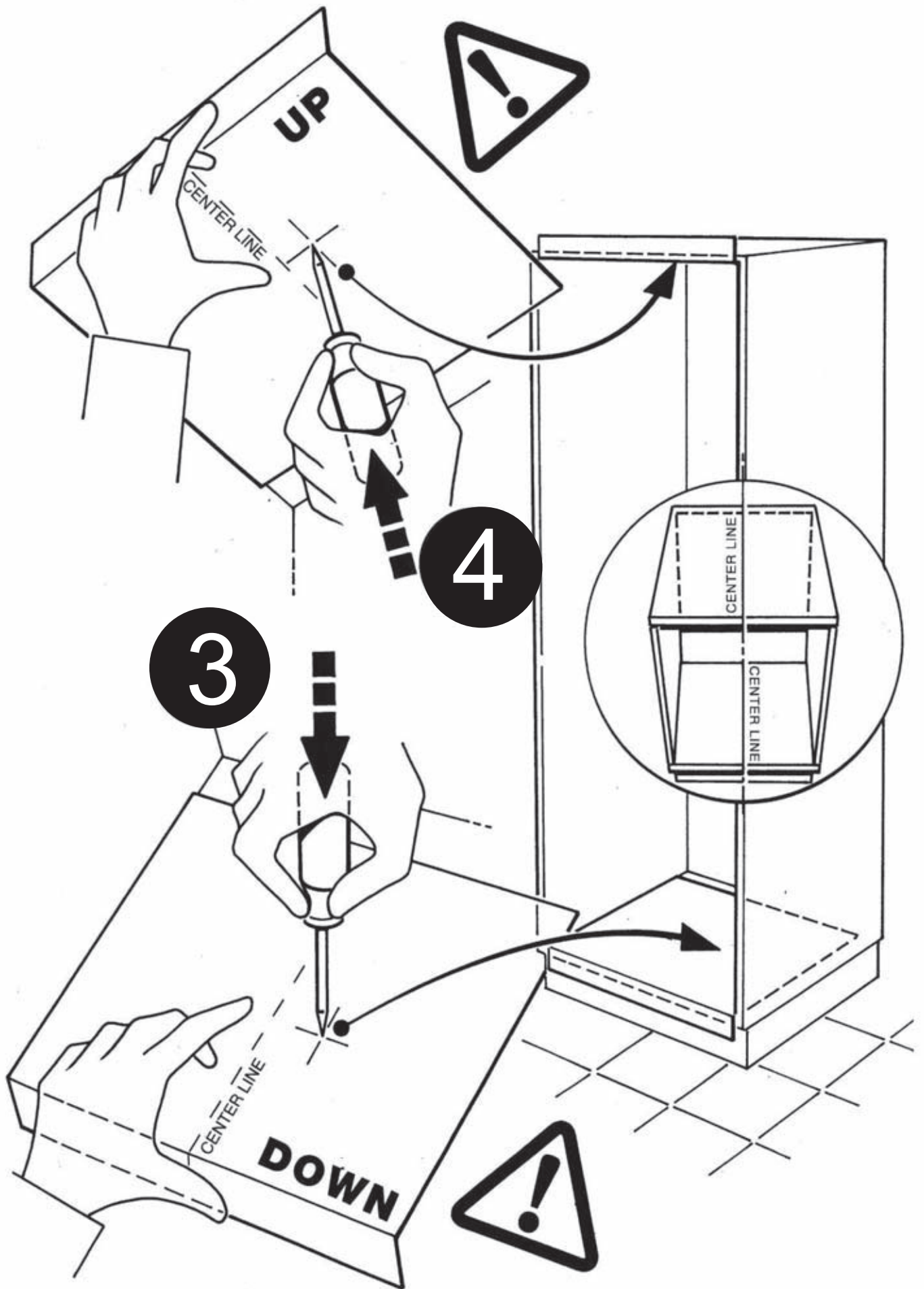


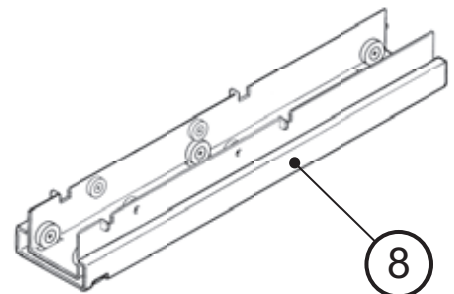
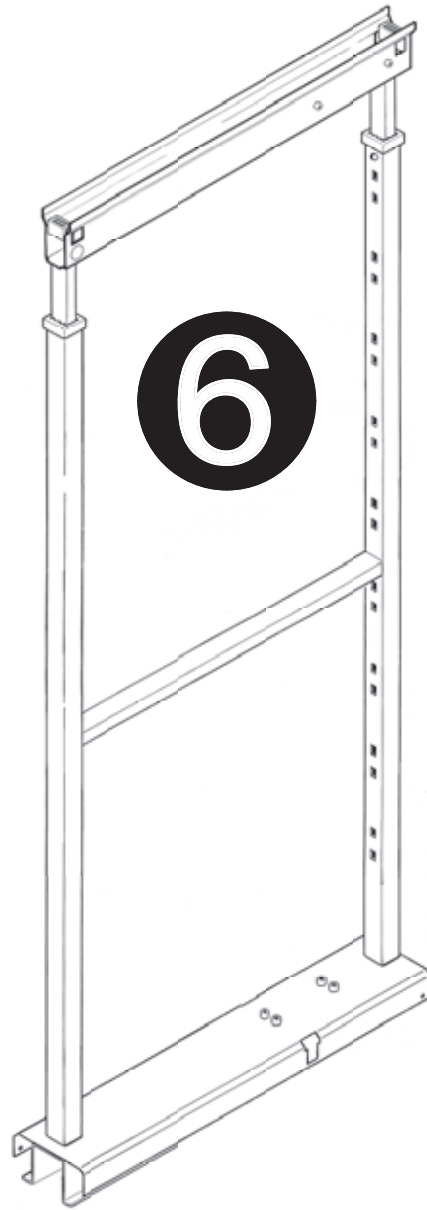
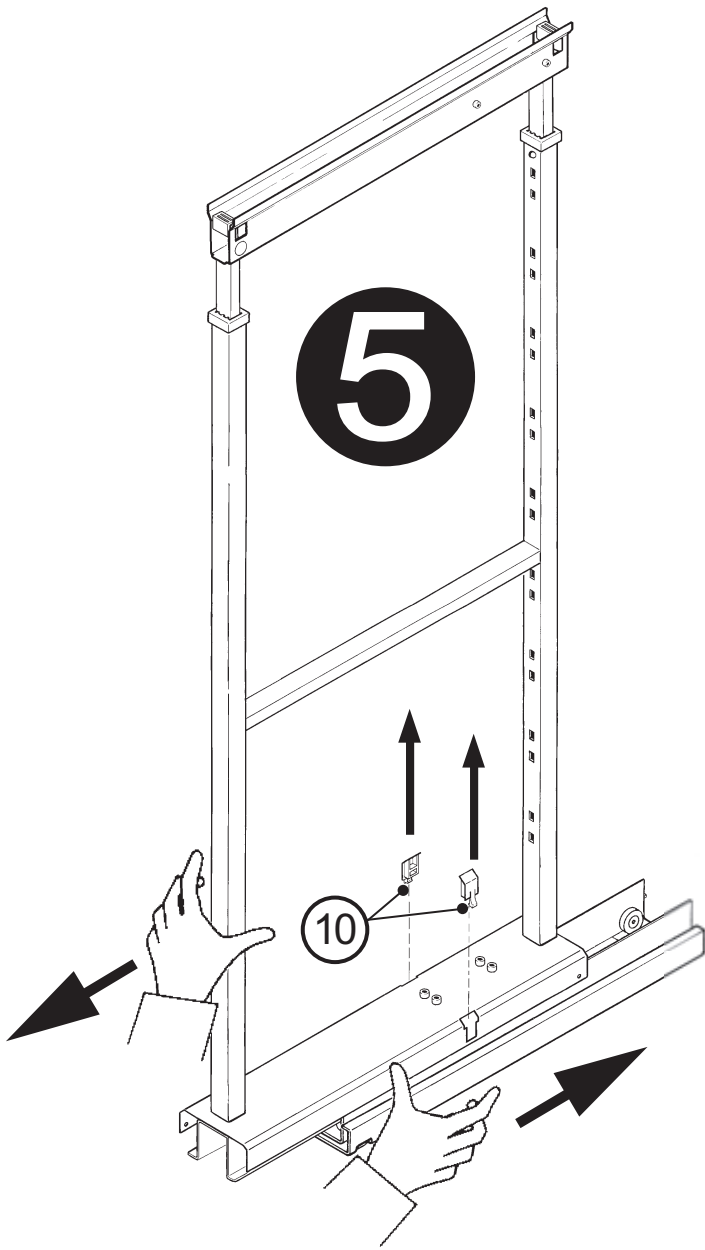
1

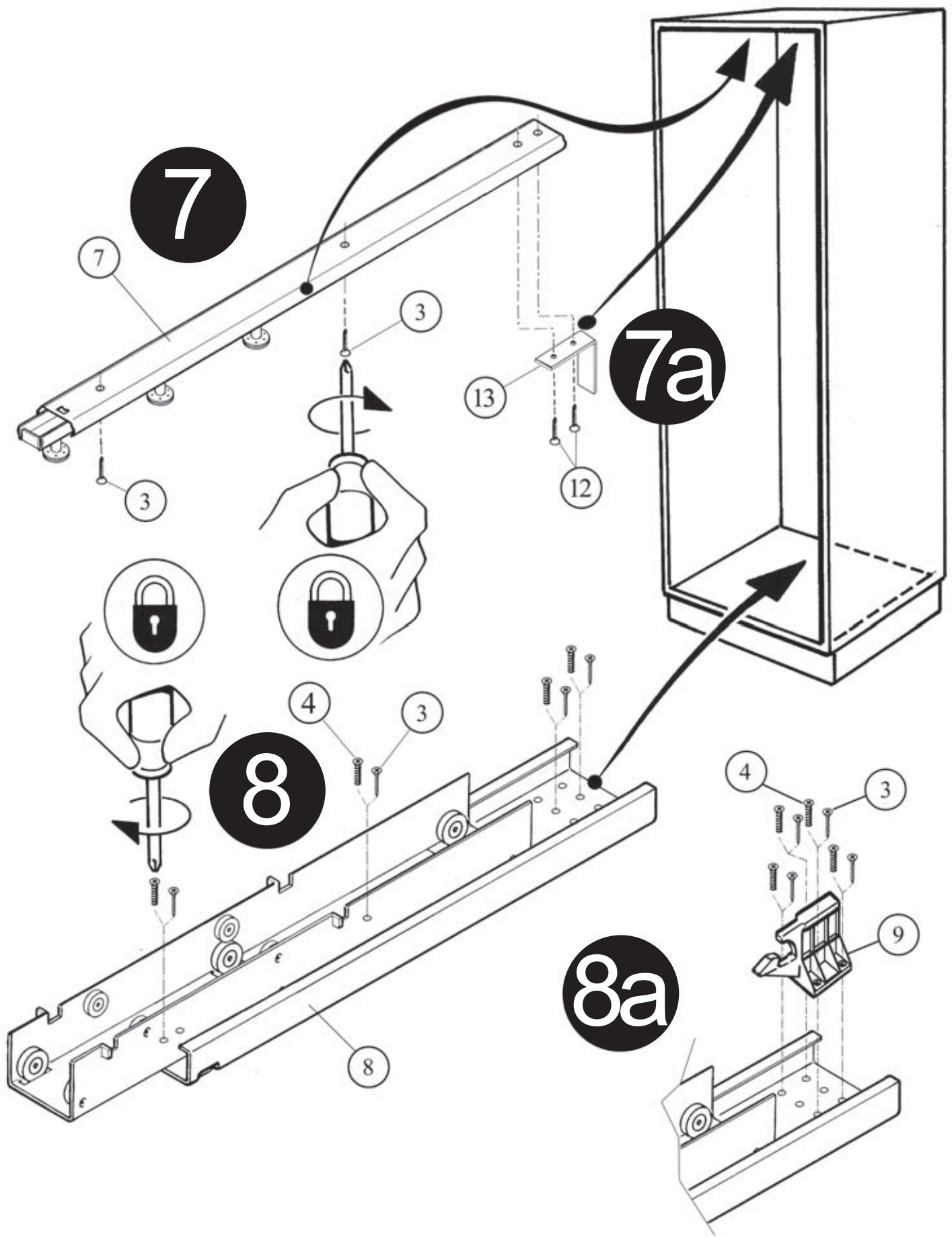


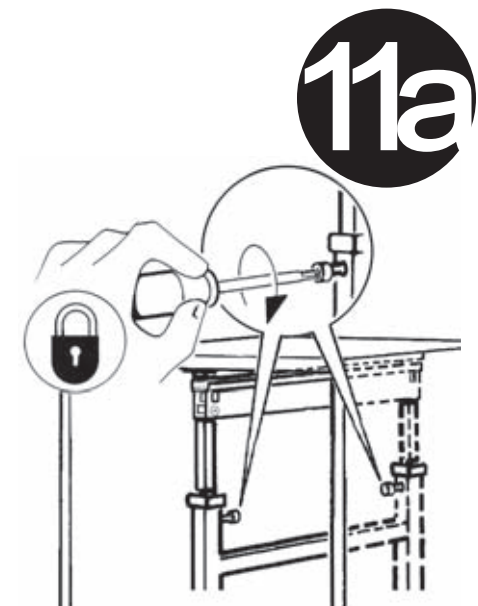
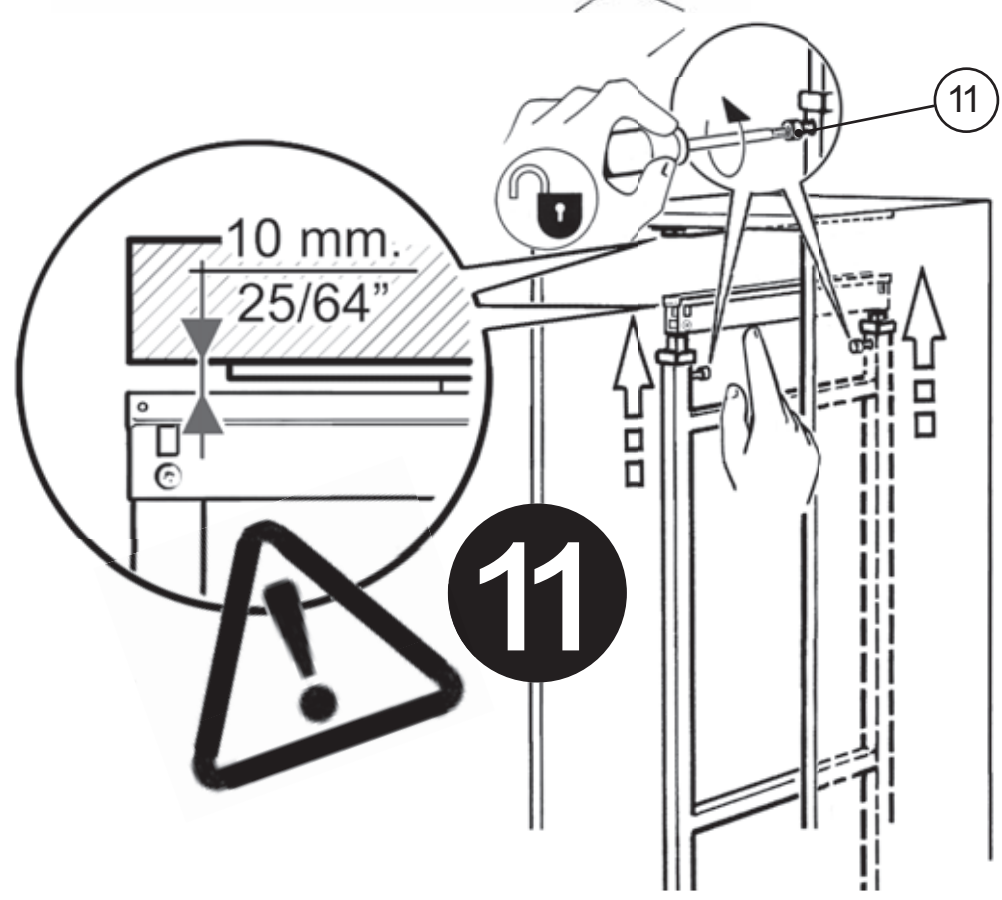
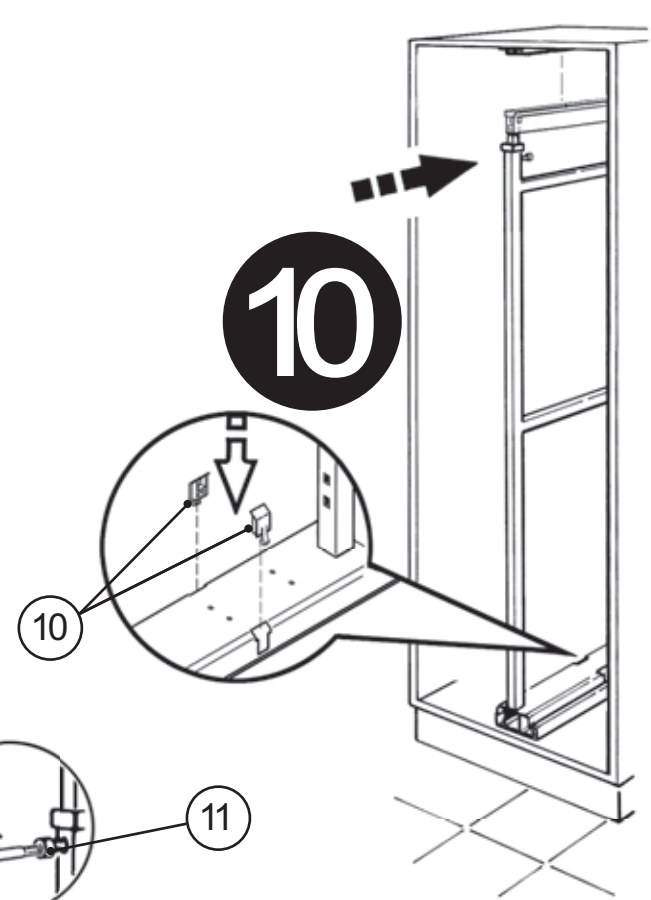
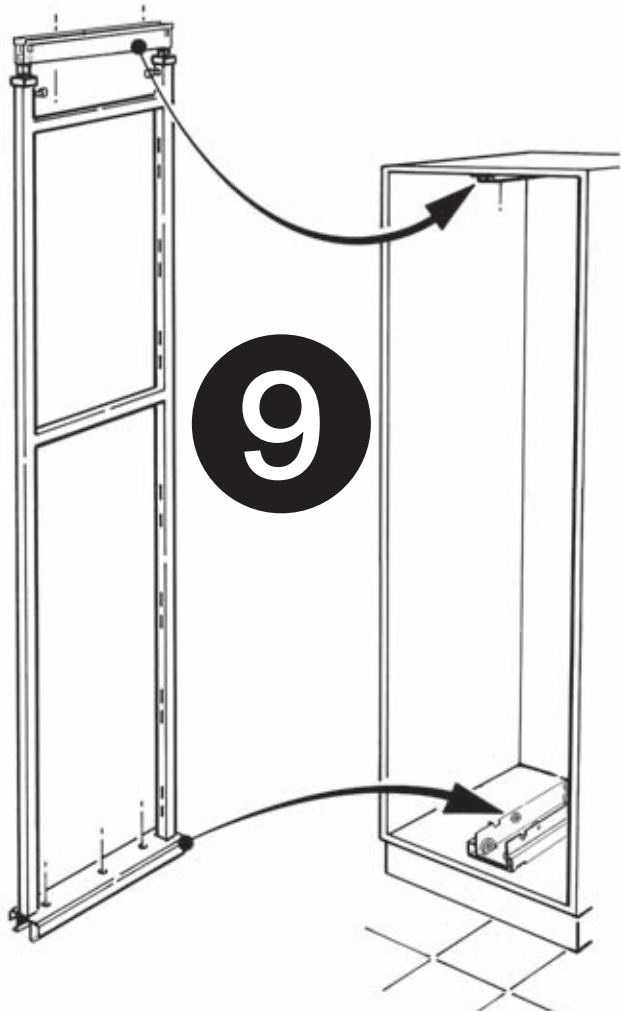
2



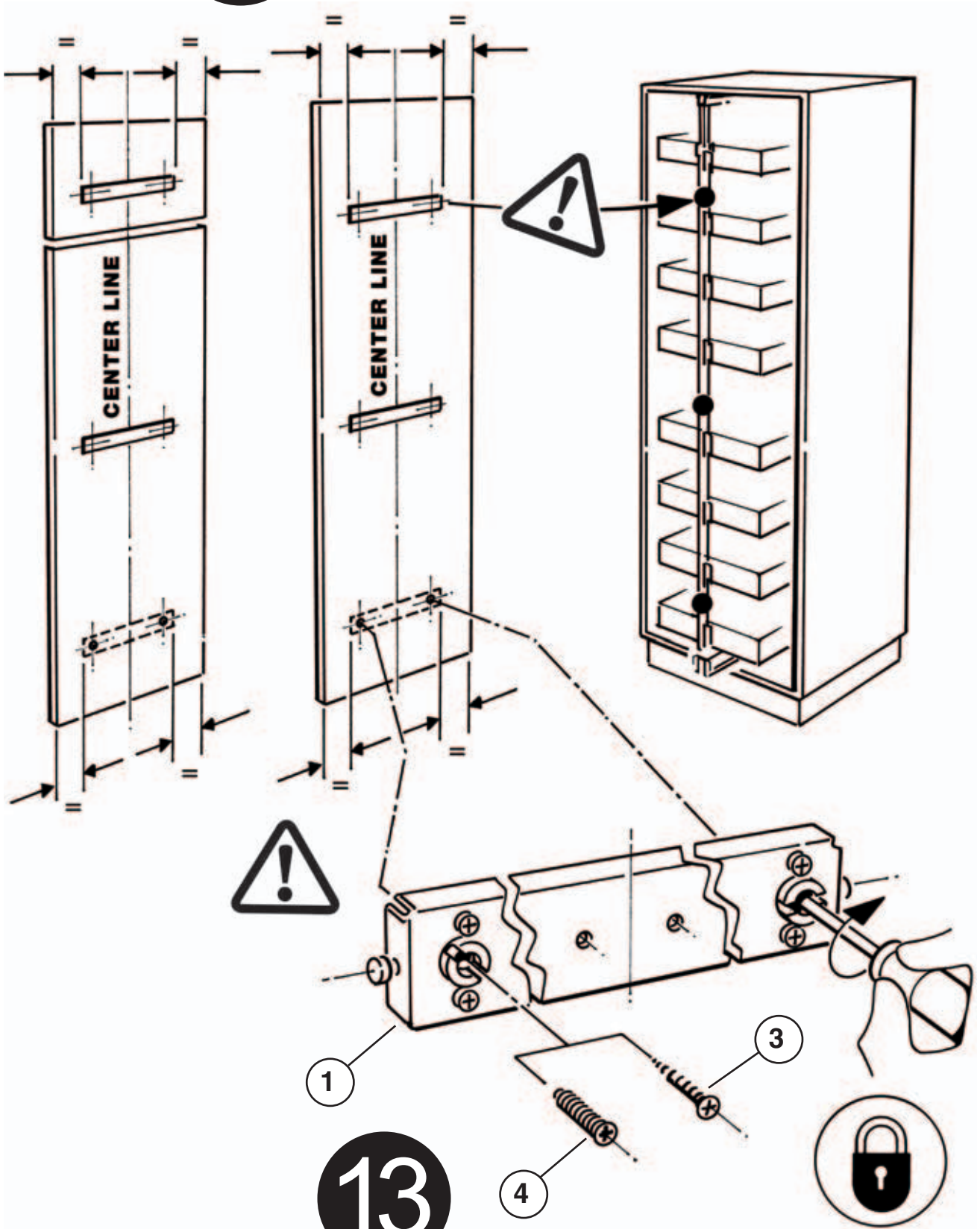




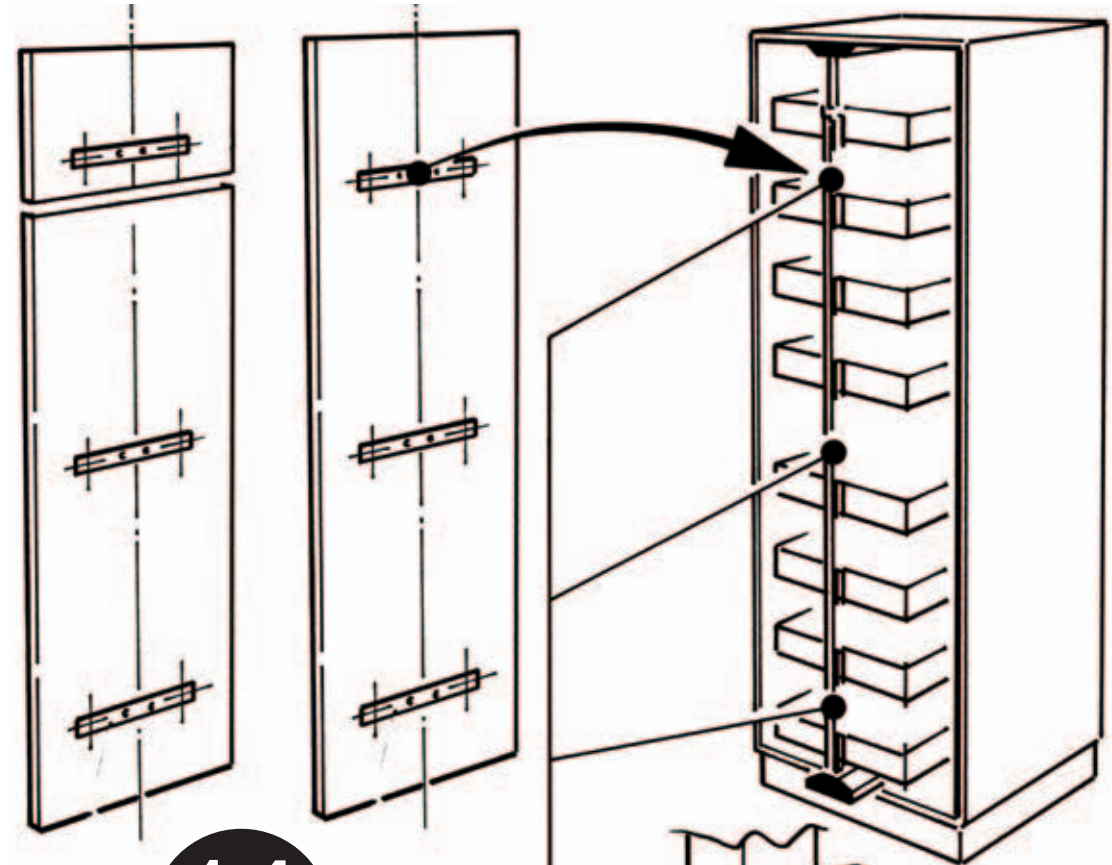




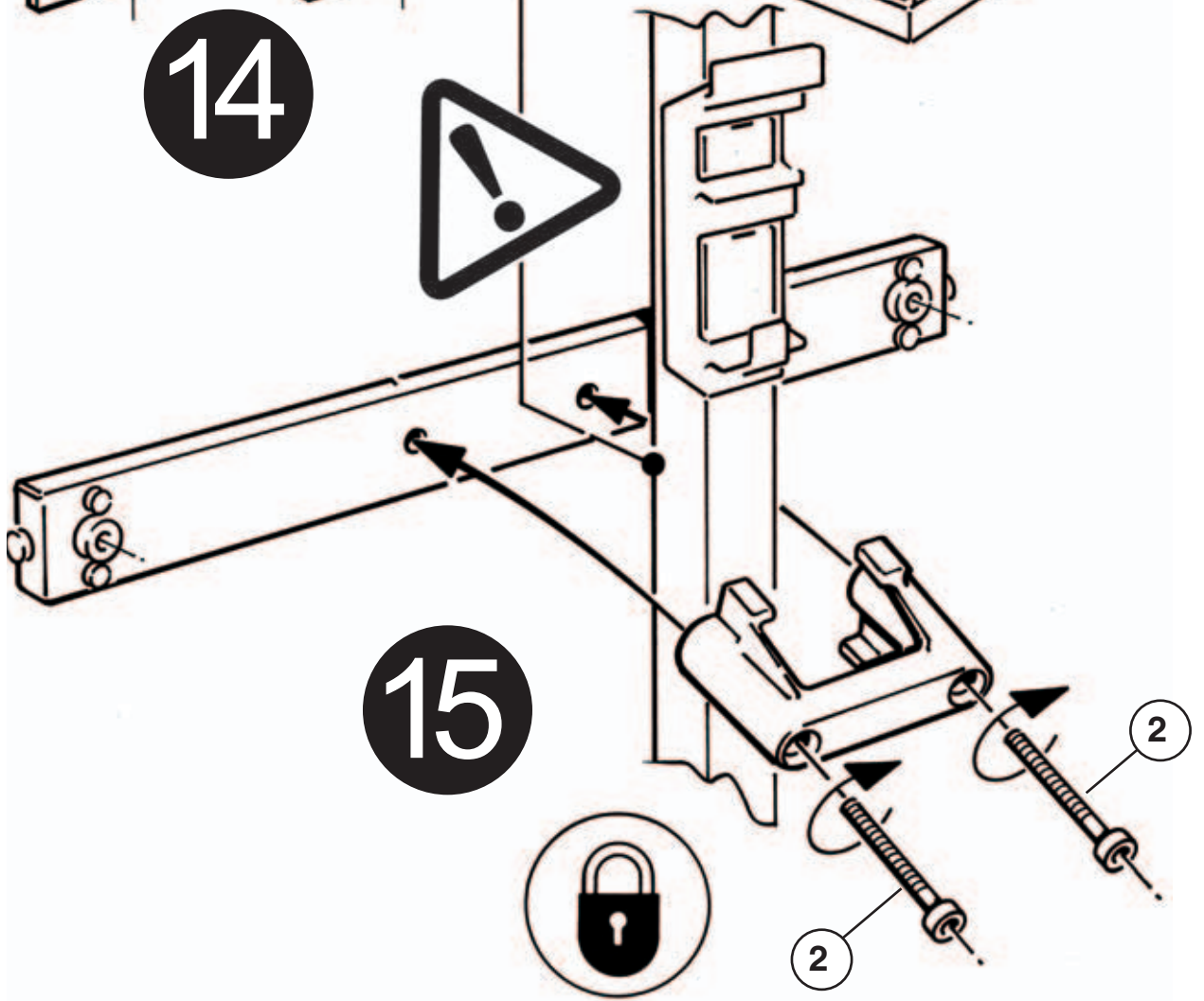
12



13

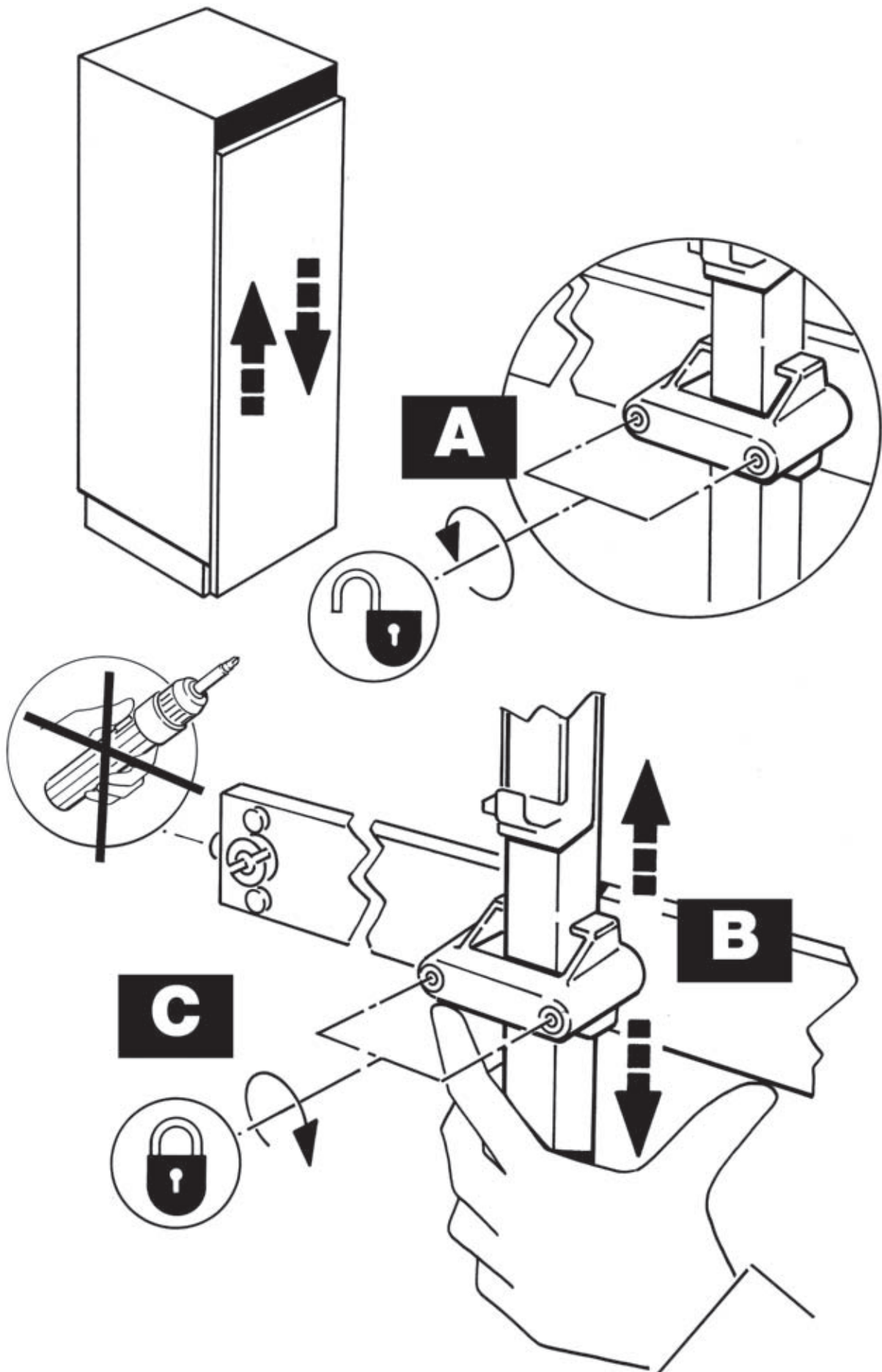


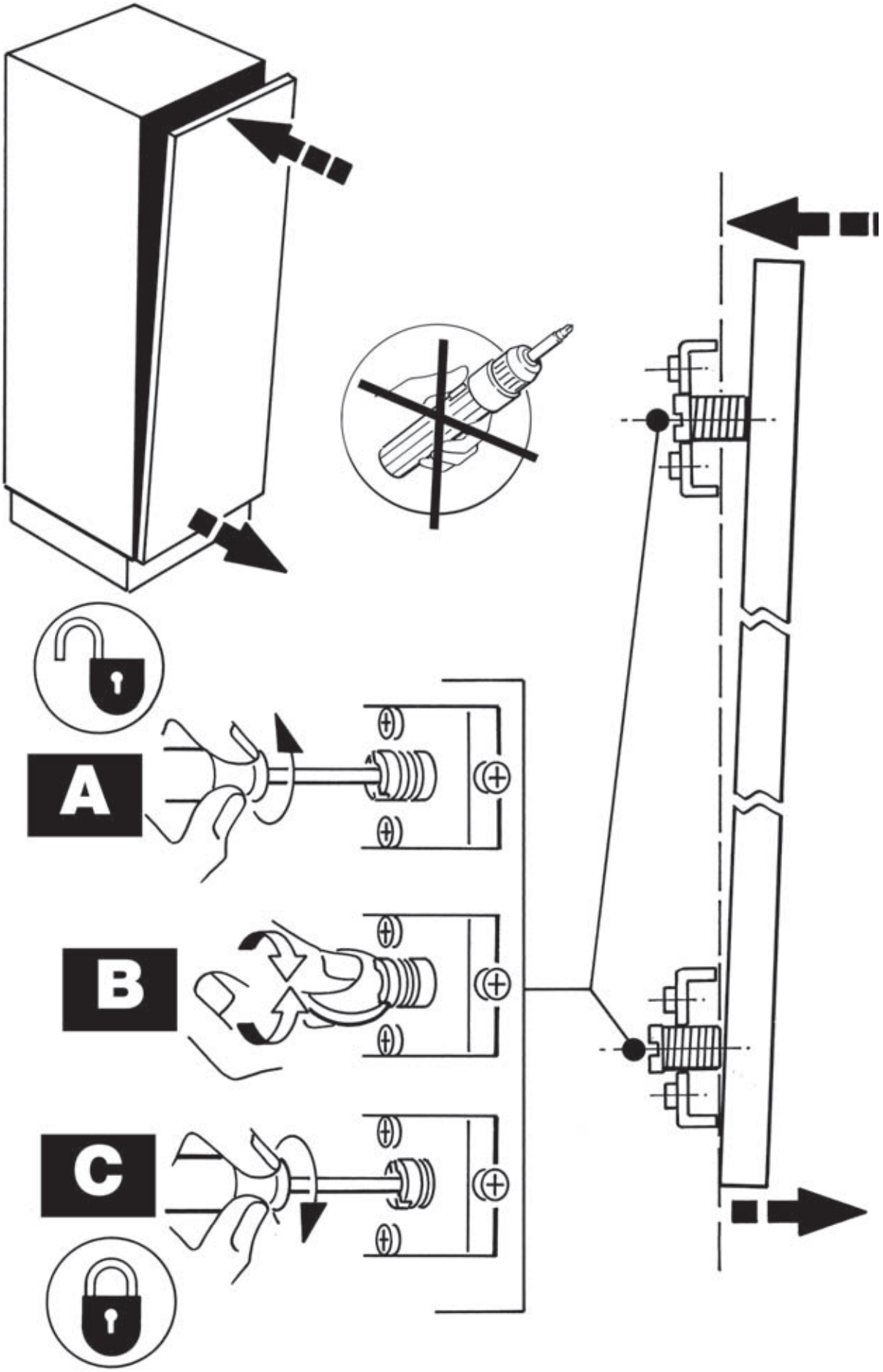
14

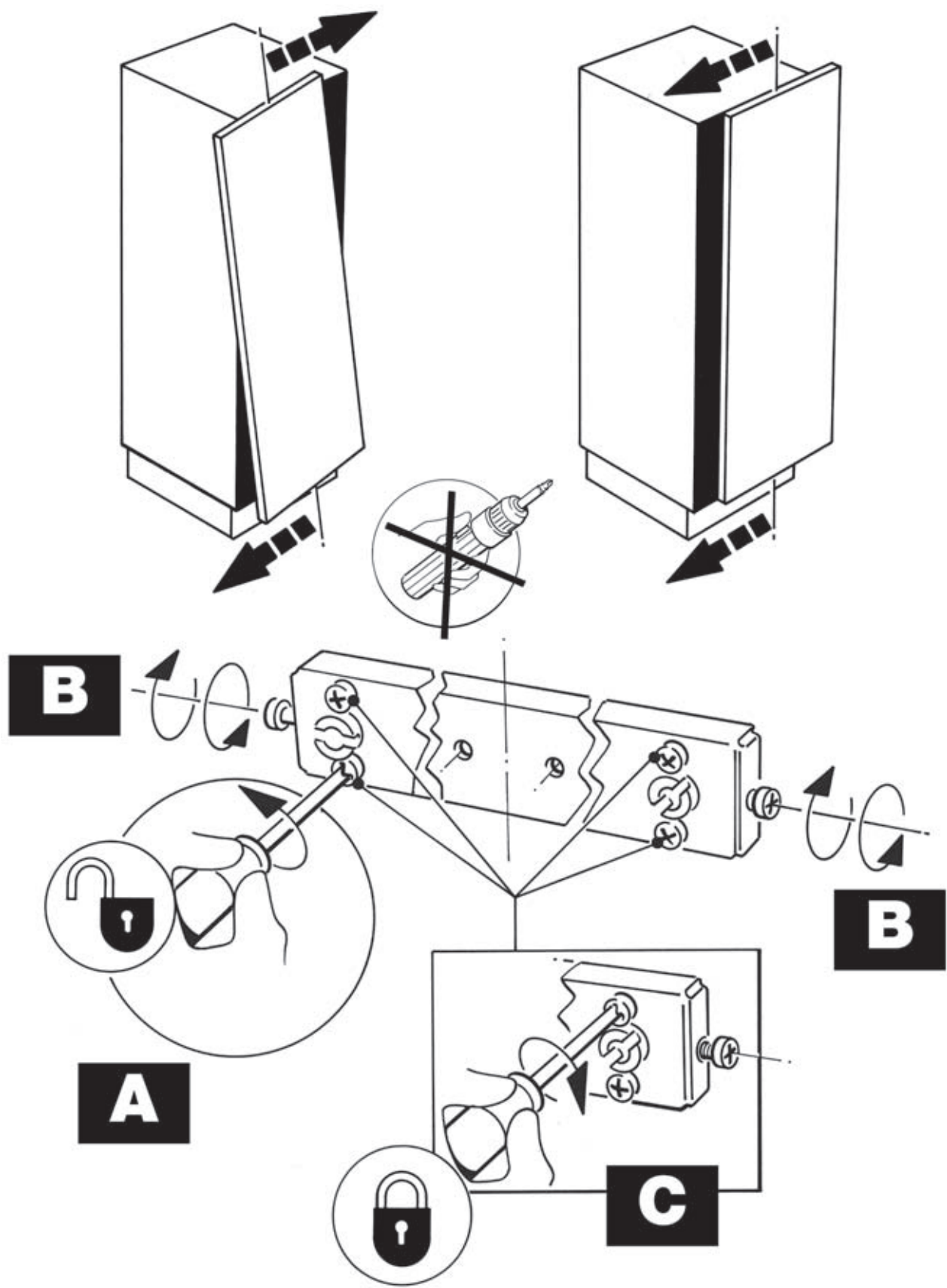


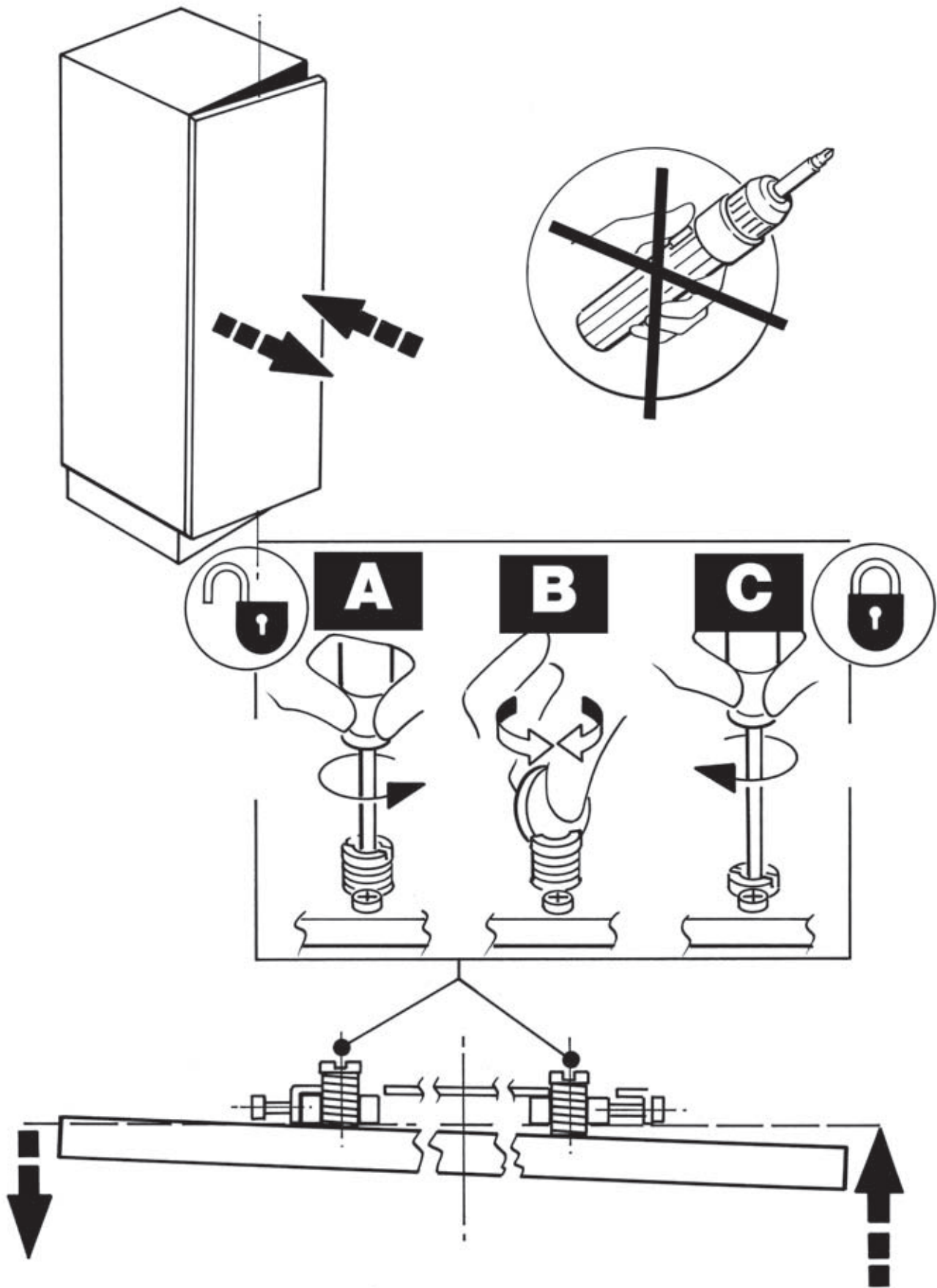
15



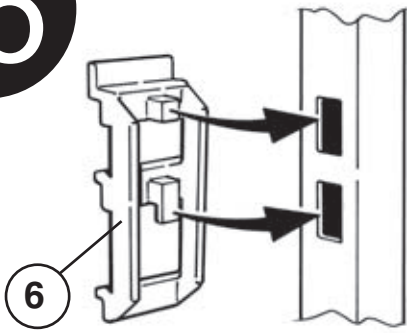




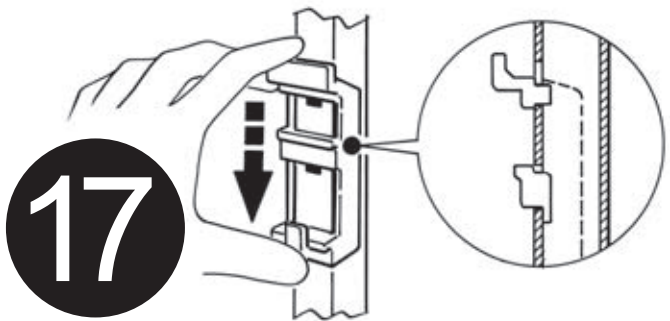




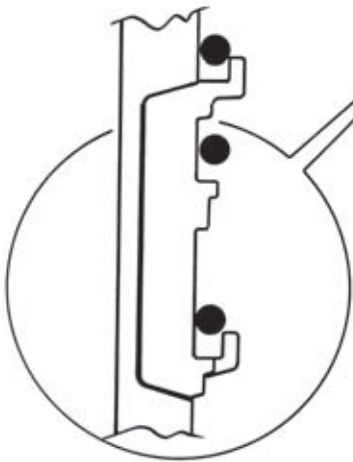
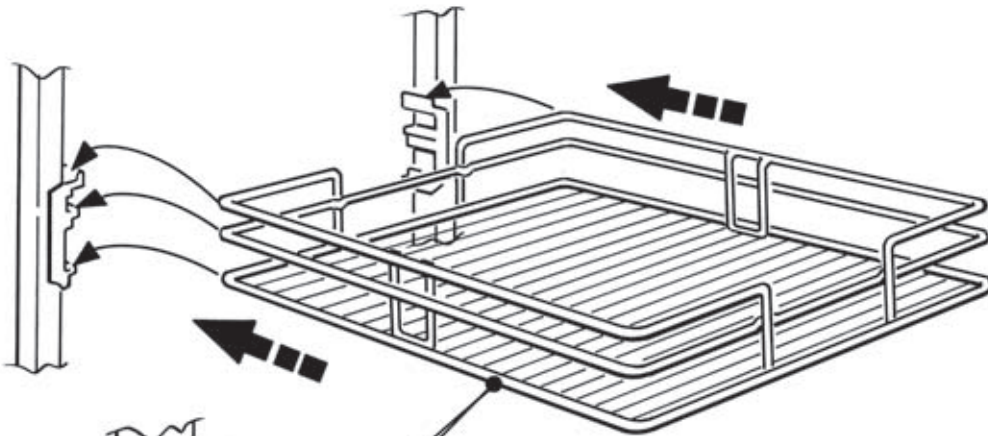
16



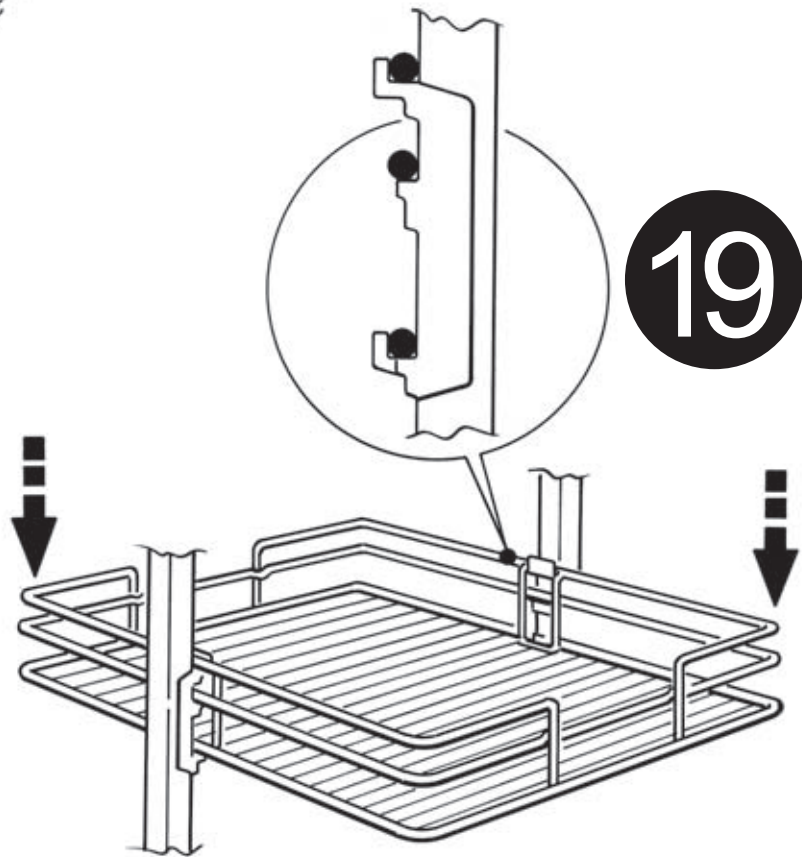
17



18



19





If you have any questions or would like additional information on the rest of our products, please contact our Customer Service Specialists between 8 Am and 5Pm Eastern Time at:

1-800-626-1126