

REV·A·SHELF®



2409 Plantside Drive
Jeffersontown, Kentucky 40299
Phone: 1-800-626-1126 (toll free)
www.rev-a-shelf.com

COMPAGNUCCI®



WIRE PRODUCTS AND ENGINEERING

DISASSEMBLED PULL-OUT FOR LEFT HAND CORNER#498

Installation Instruction, LEFT VERSION

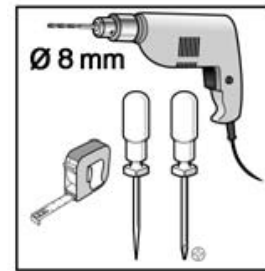
Right Hand Blind Corner Cabinet


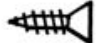

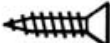

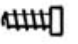















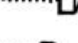



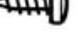


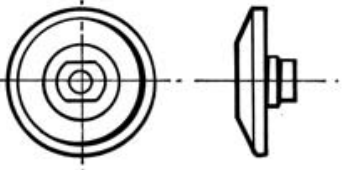

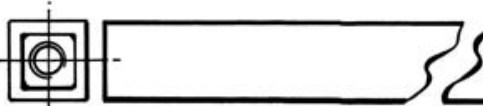


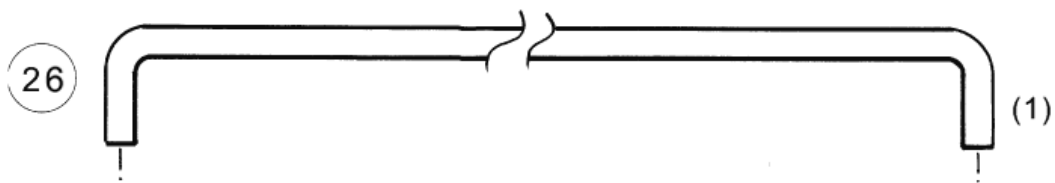
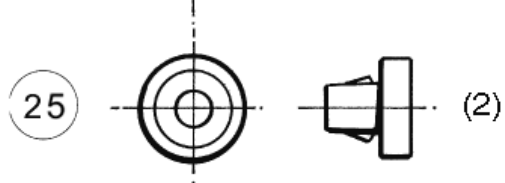
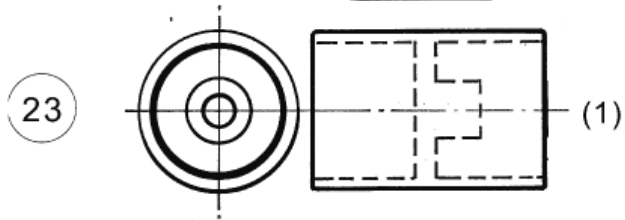
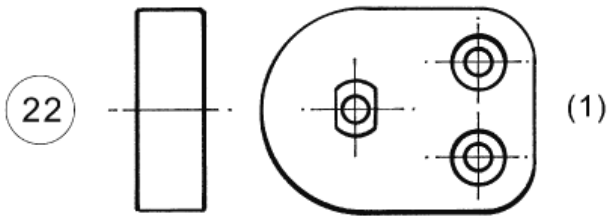
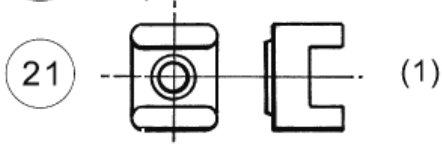
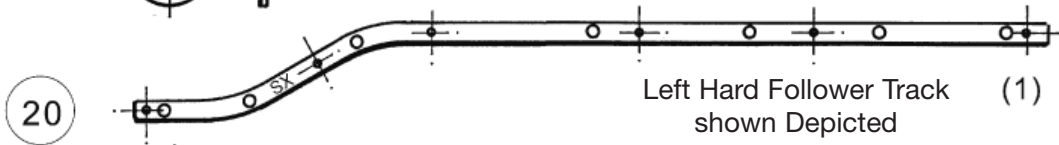
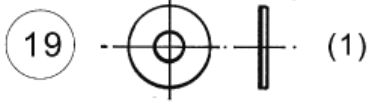
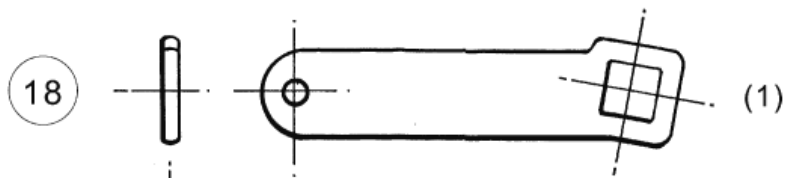
It's very IMPORTANT that the Installation Instruction and Template are used to assembled and install this product.

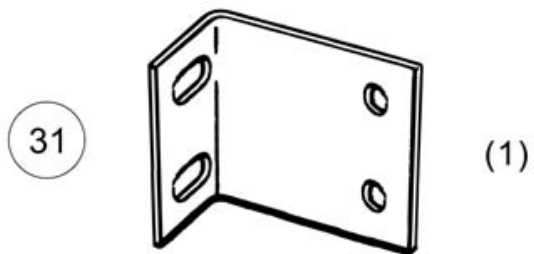
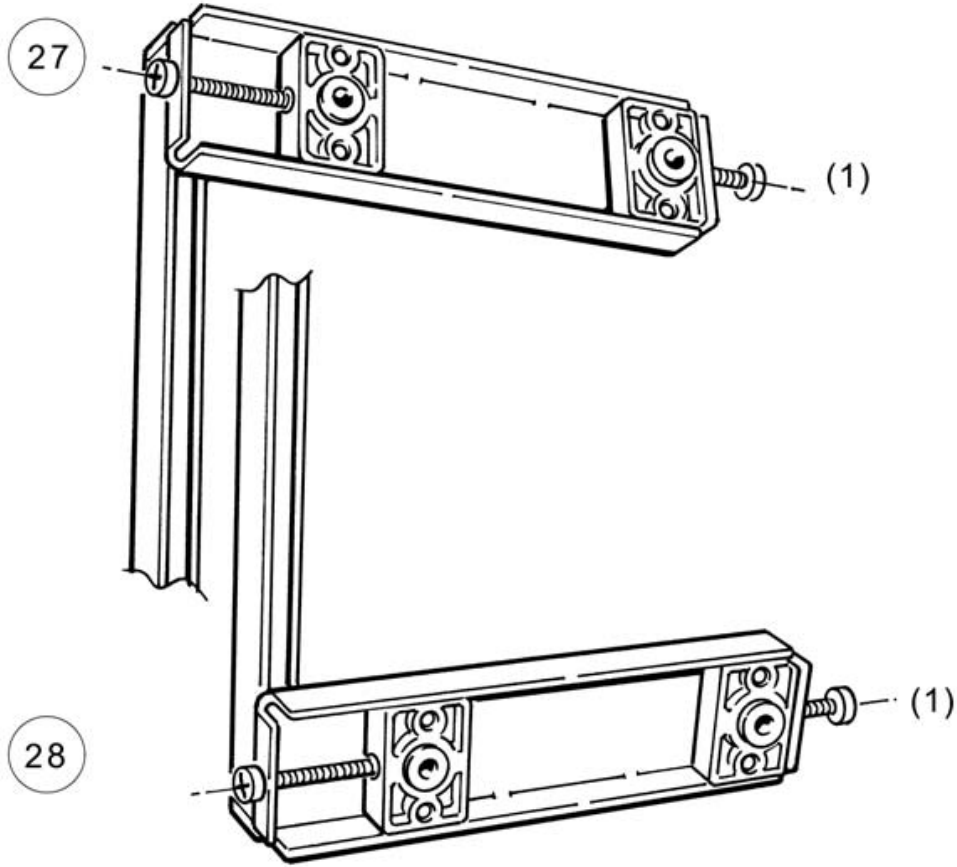
It's critical to installation that use of Template and Placement of Template is correct. If this is not done then problem will occur with opening of the unit and baskets hitting.

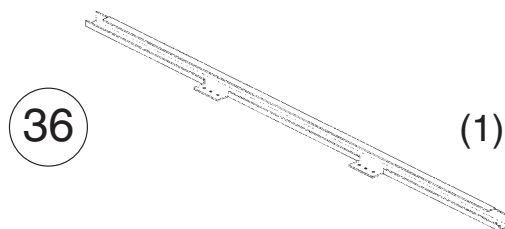
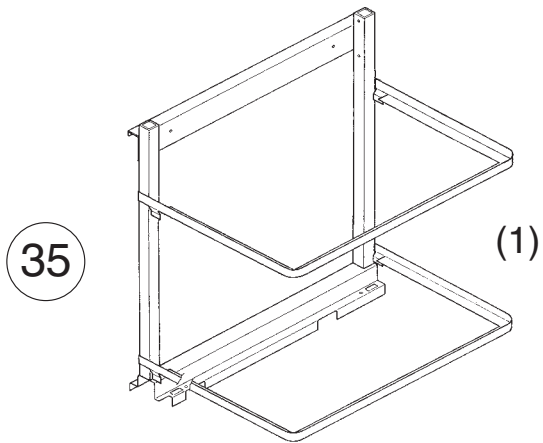
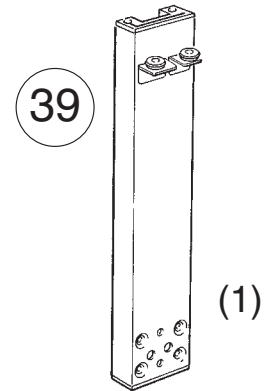
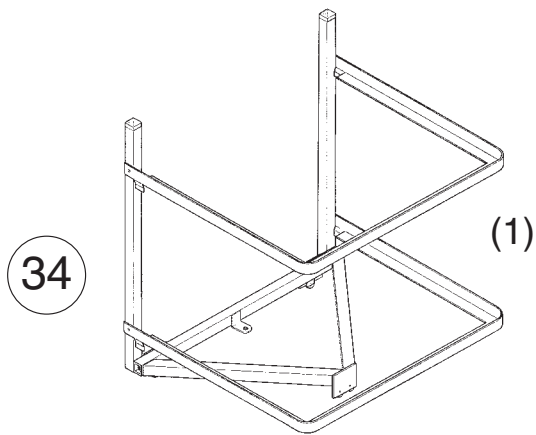
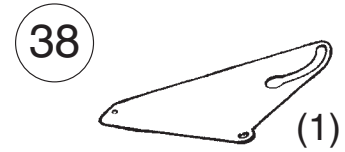
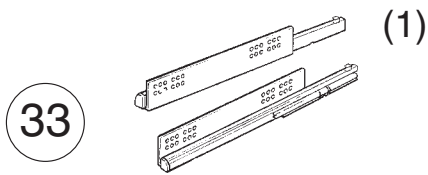
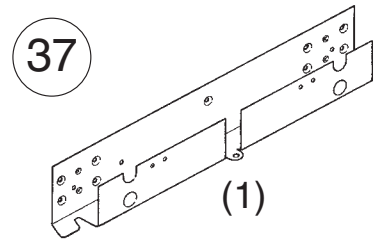
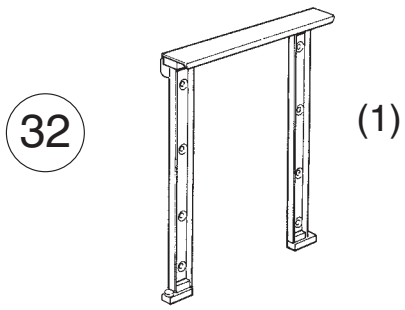
Tool list



- 1   (12) Ø4x16
- 2   (4) Ø4x20
- 3   (6) Ø3.5x6
- 4   (6) Ø4x20
- 5   (8) M5x6
- 6   (1) M5x10
- 7   (5) M5x16
- 8   (2) M6
- 9   (1) Ø4x30
- 10   (2) M6x12
- 11   (1) M5x5
- 12   (2) Ø3.9x9.5
- 13   (2) M5x3.5
- 14   (2) M6
- 15  (1)
- 16  (1)
- 17  (1)



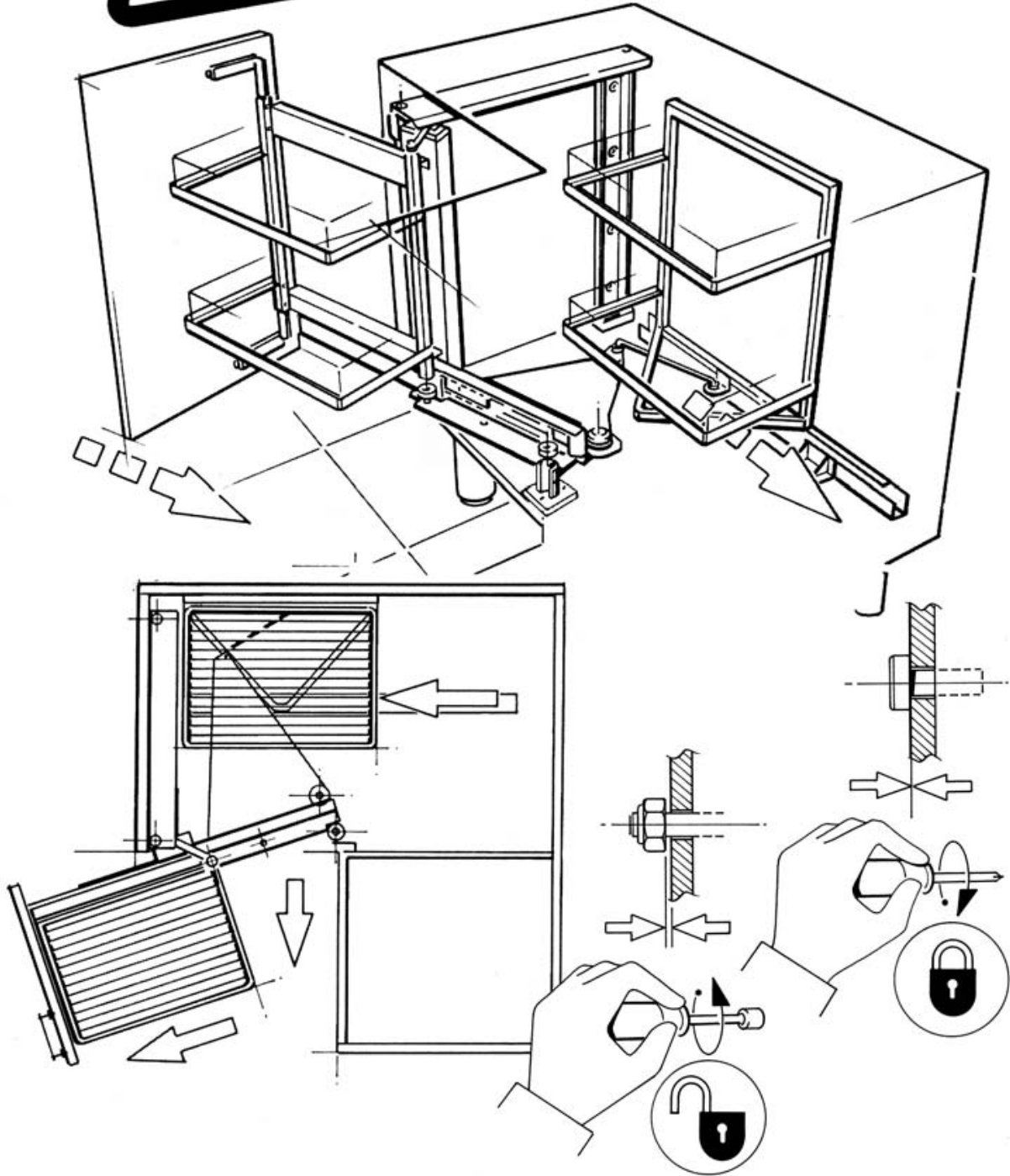




Right Hand Blind Corner Cabinet



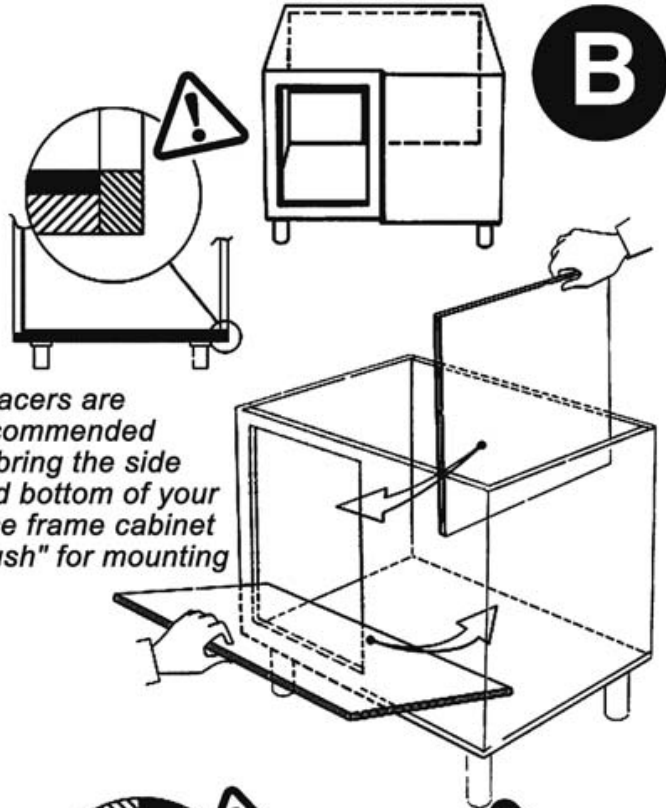
LEFT VERSION



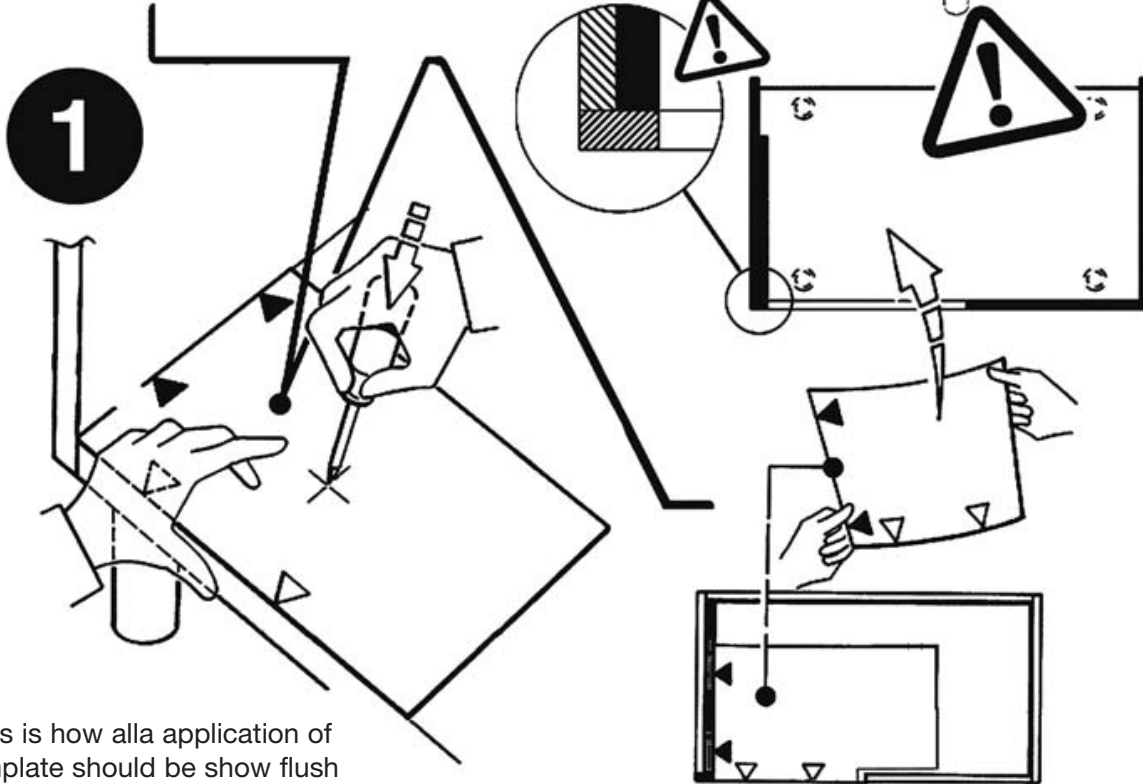
FRAME LESS



FACE FRAME

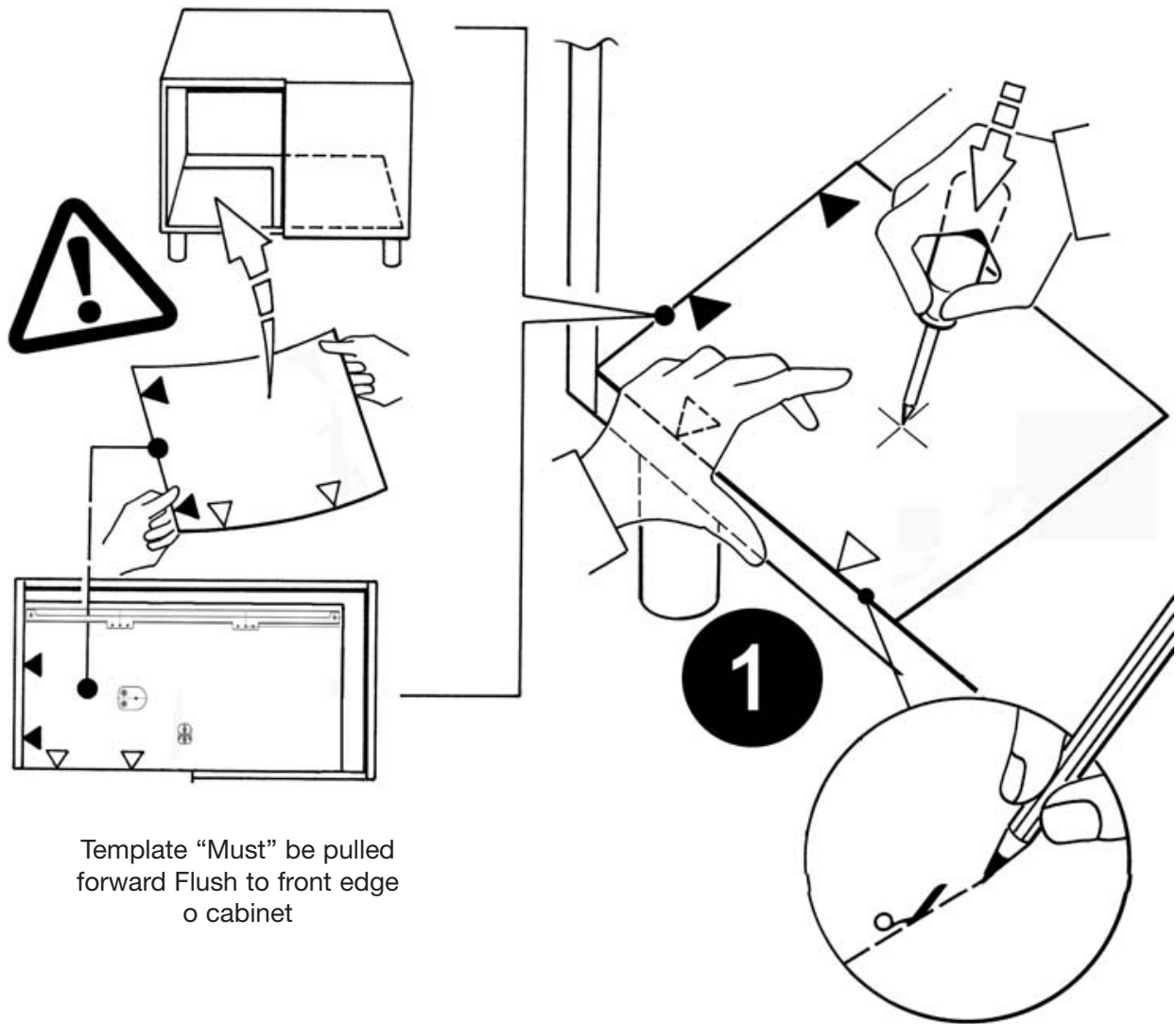


Spacers are recommended to bring the side and bottom of your face frame cabinet "flush" for mounting



This is how alla application of template should be show flush to front edge of cabinet

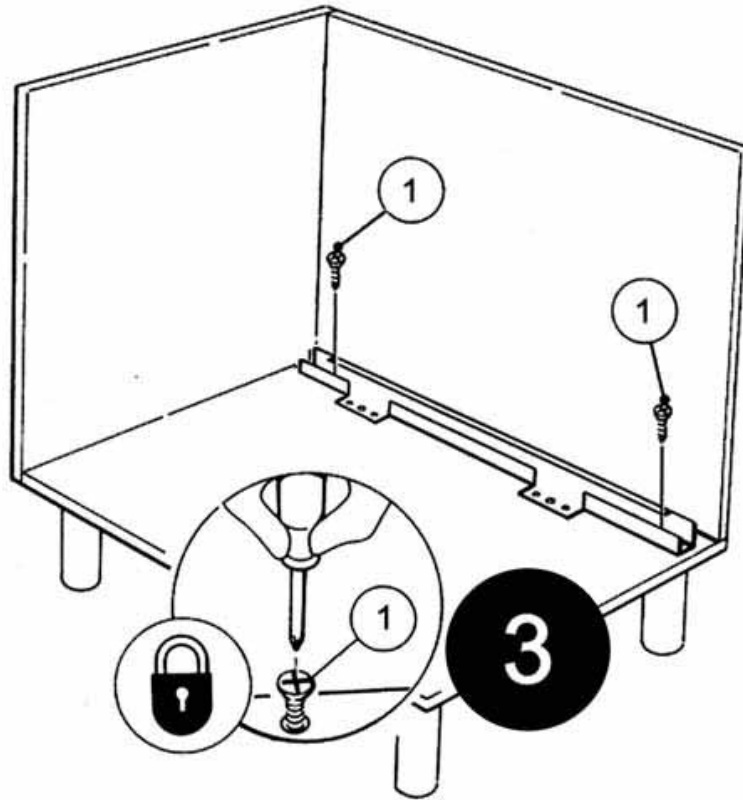
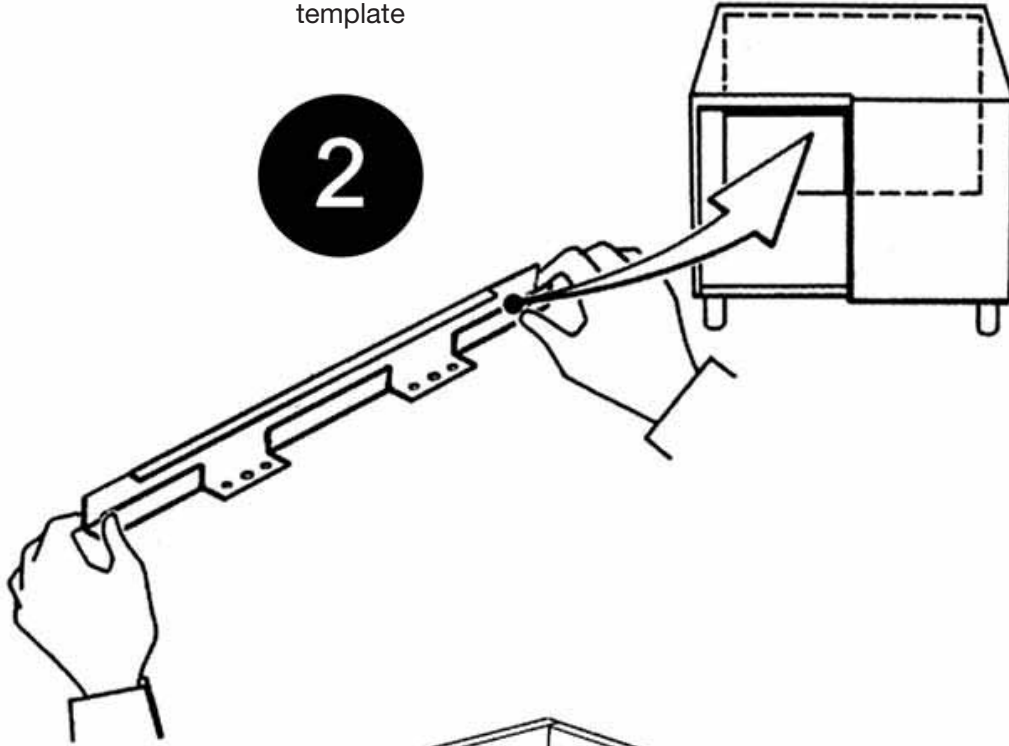
Template may need to be notched to bring forward flush to front edge of cabinet

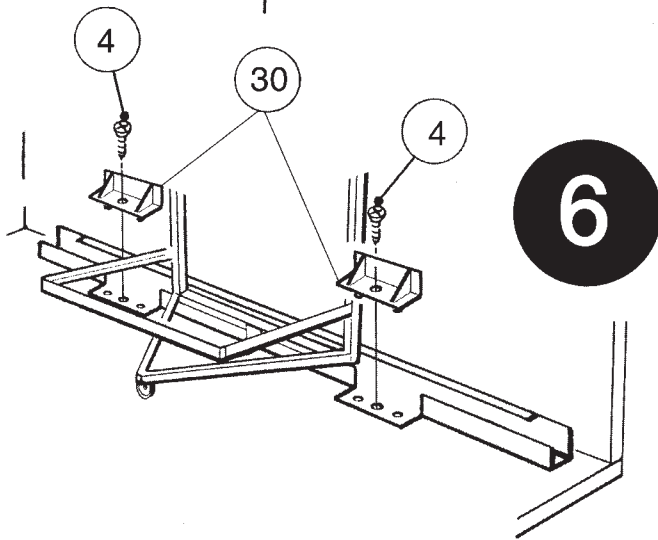
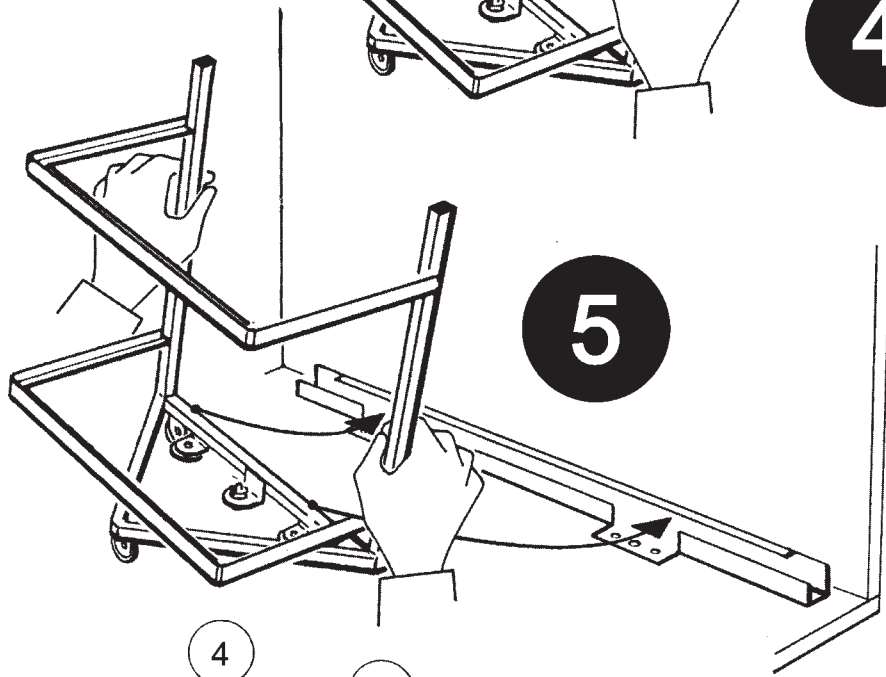
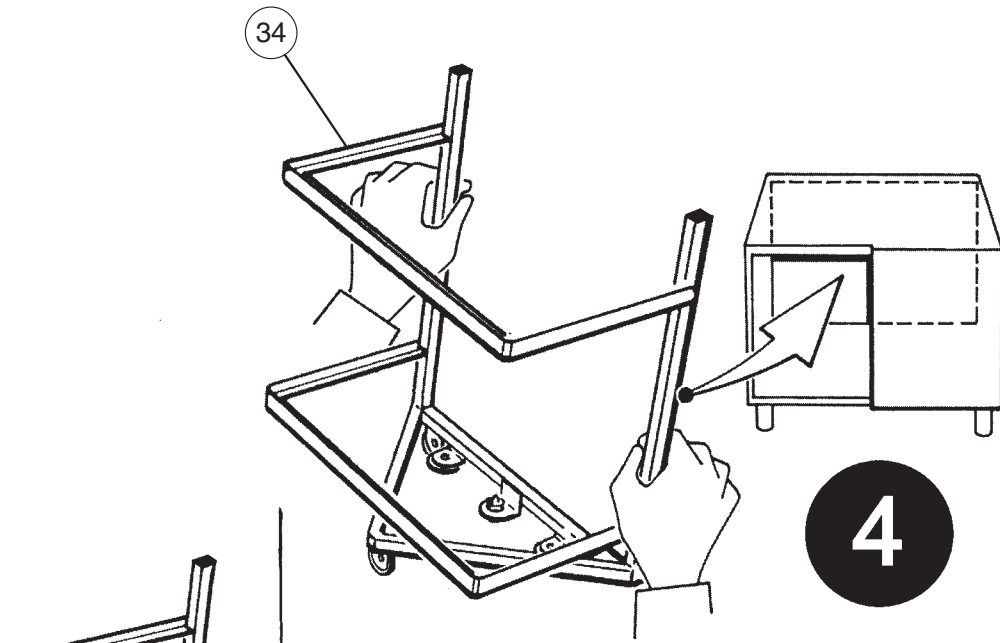


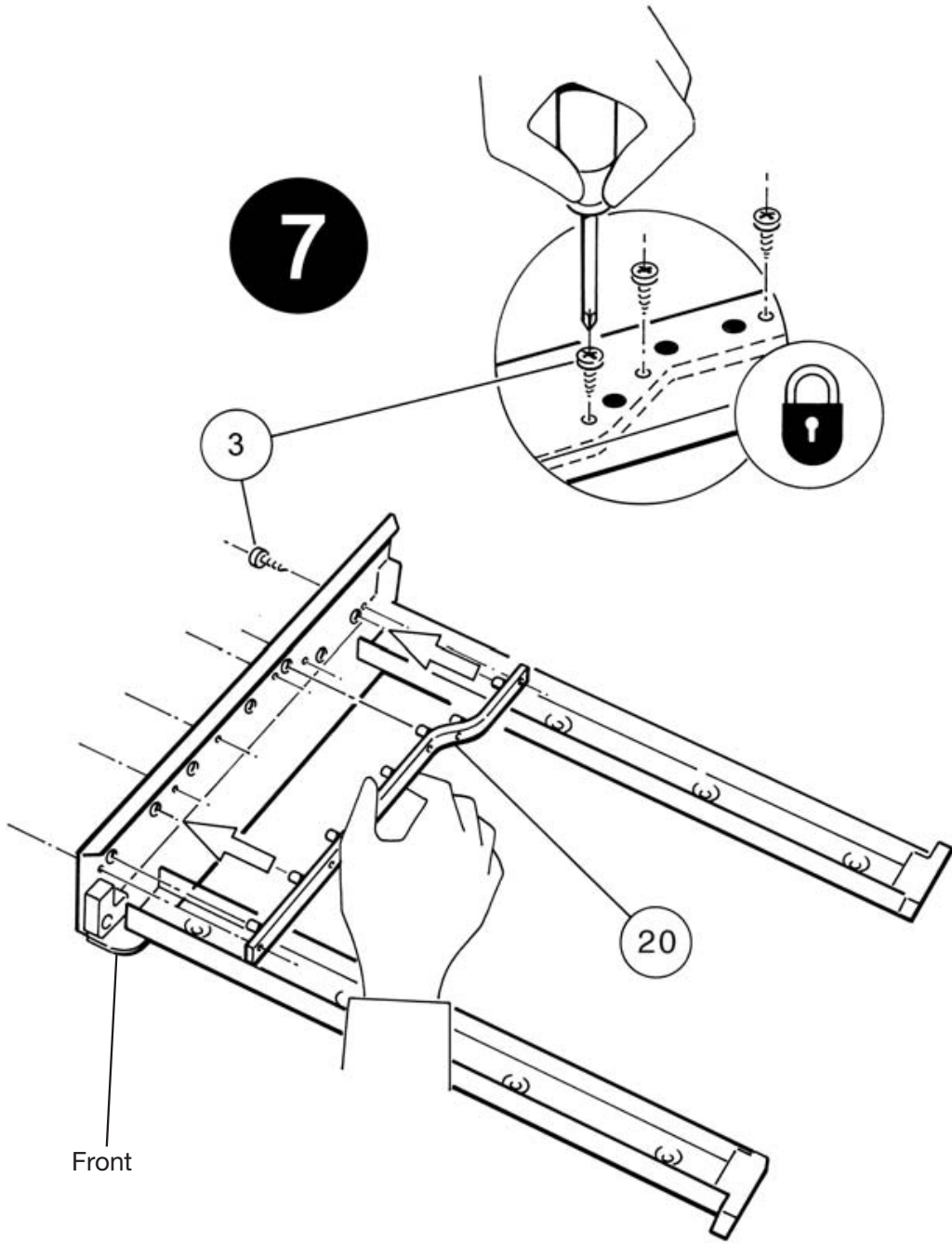
Template "Must" be pulled forward Flush to front edge of cabinet

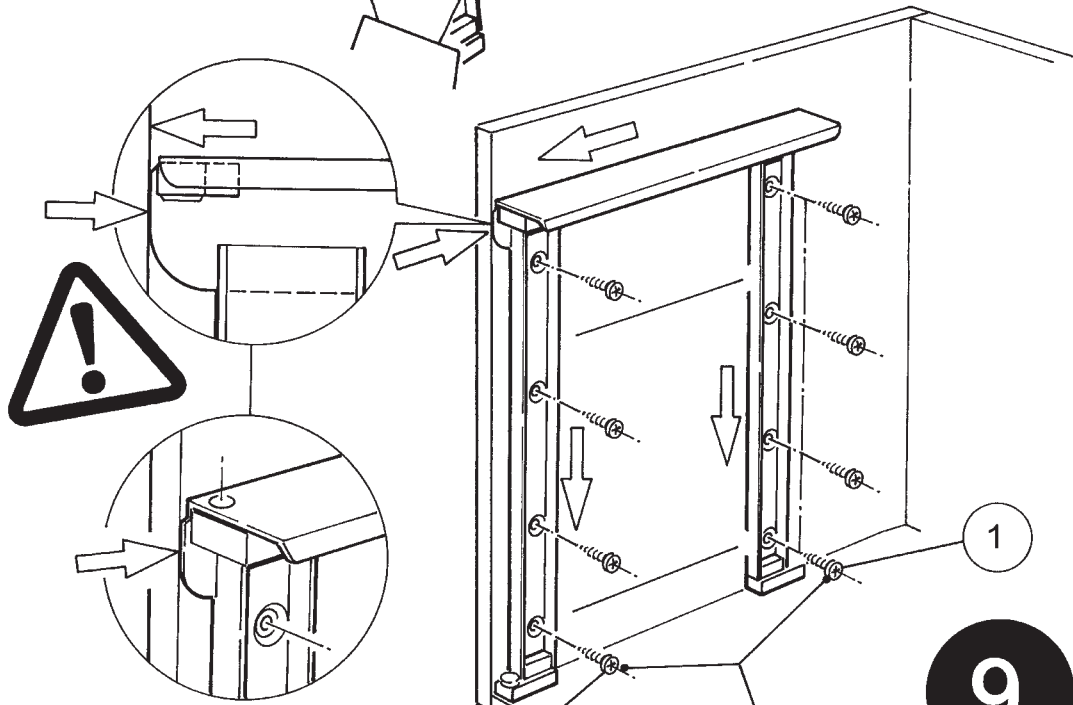
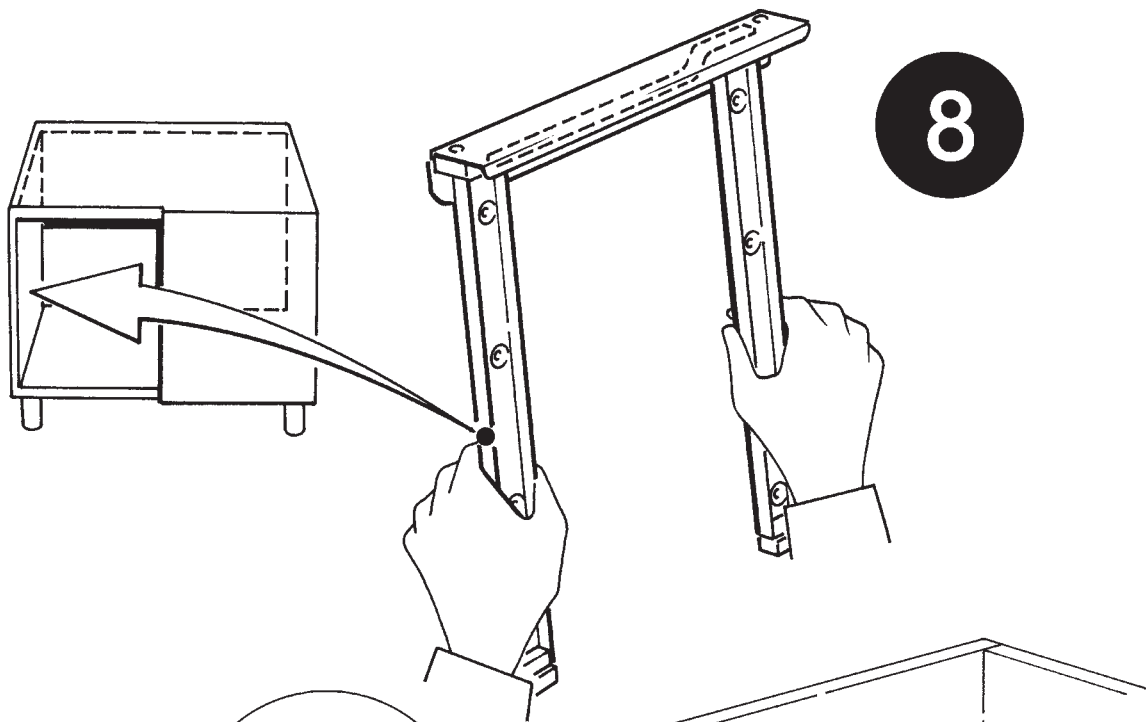
Cut the template on the dotted line

Install track to Floor of cabinet
using mounting locations from
template









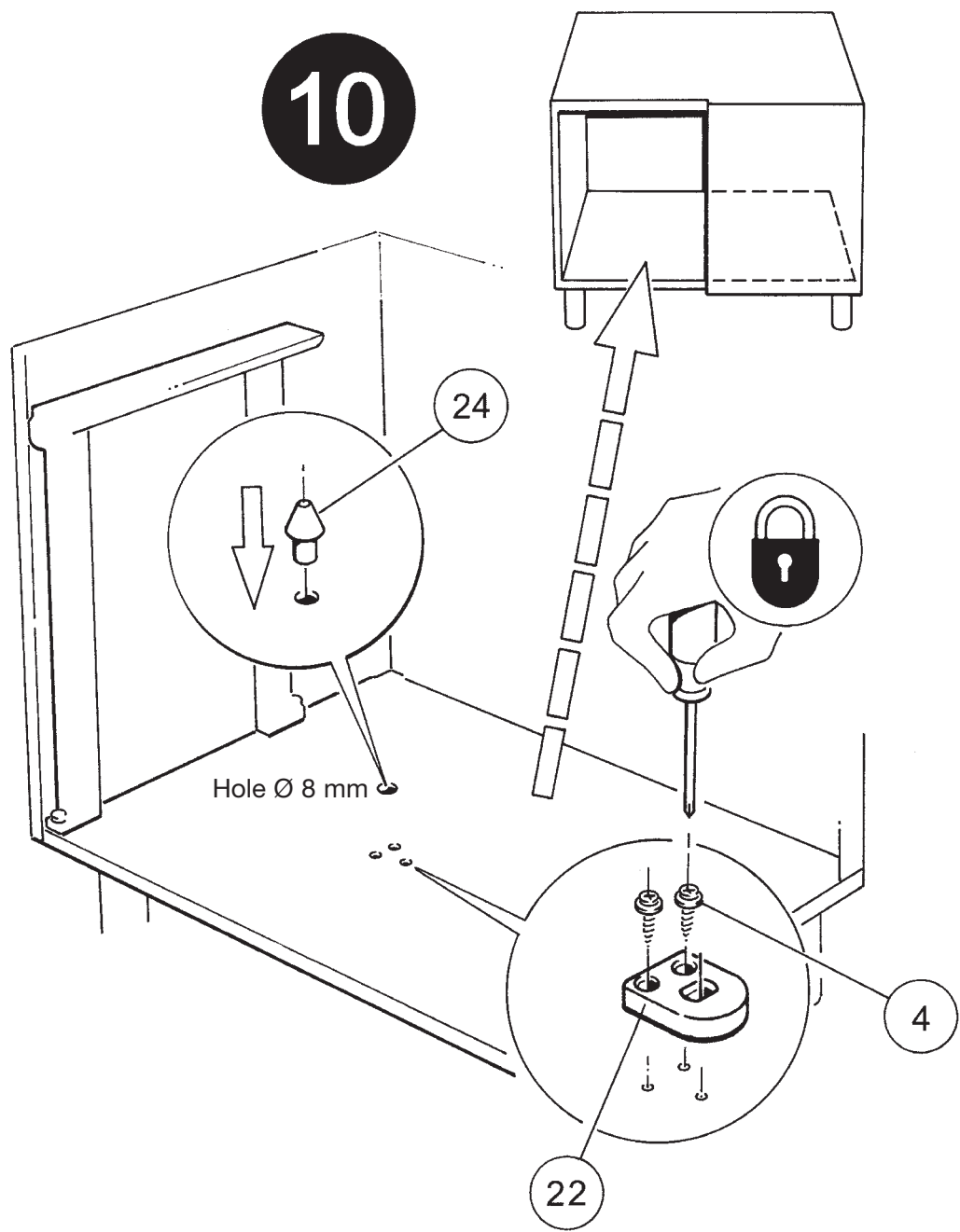
Flush with front edge
of frame of cabinet

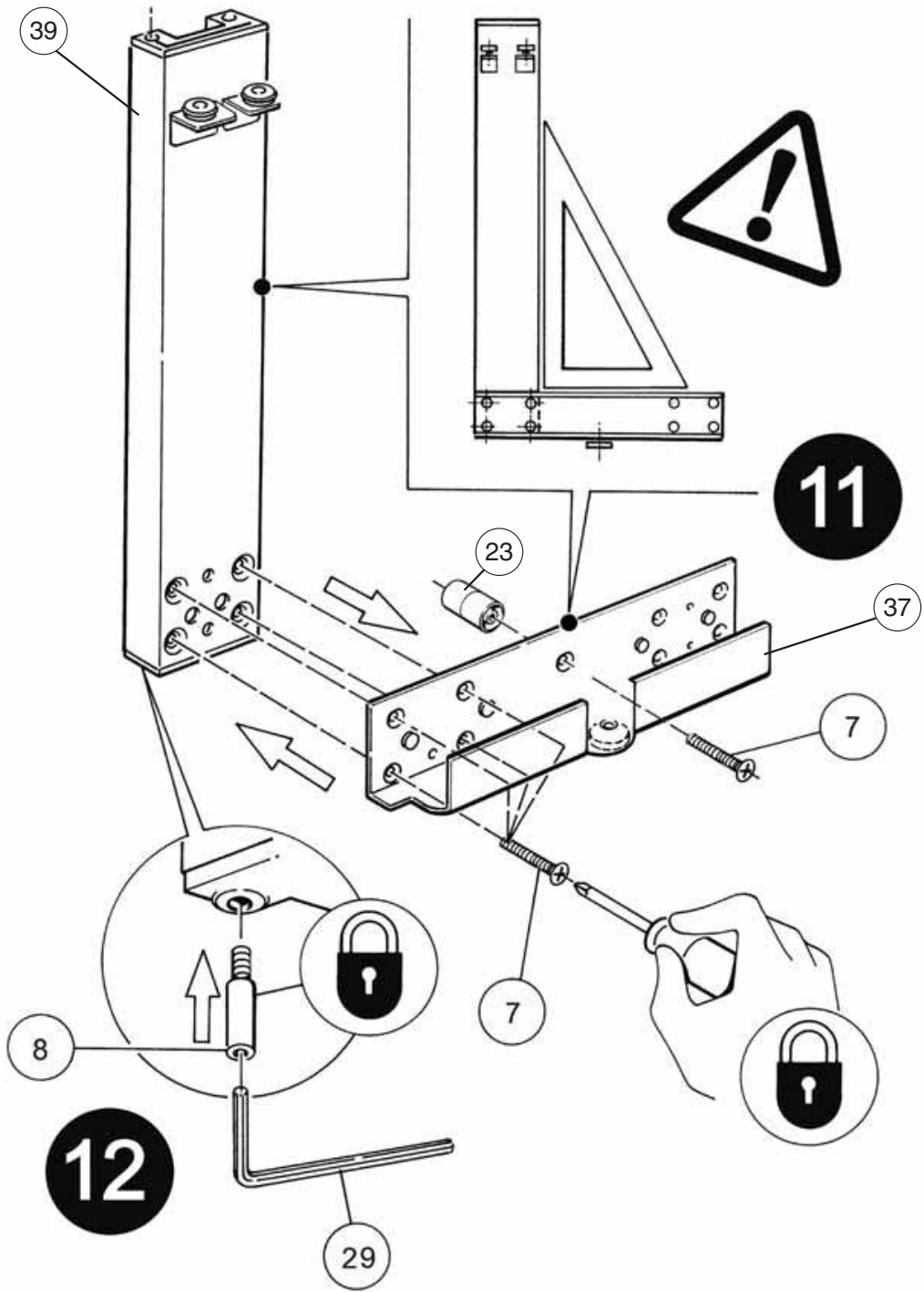
1

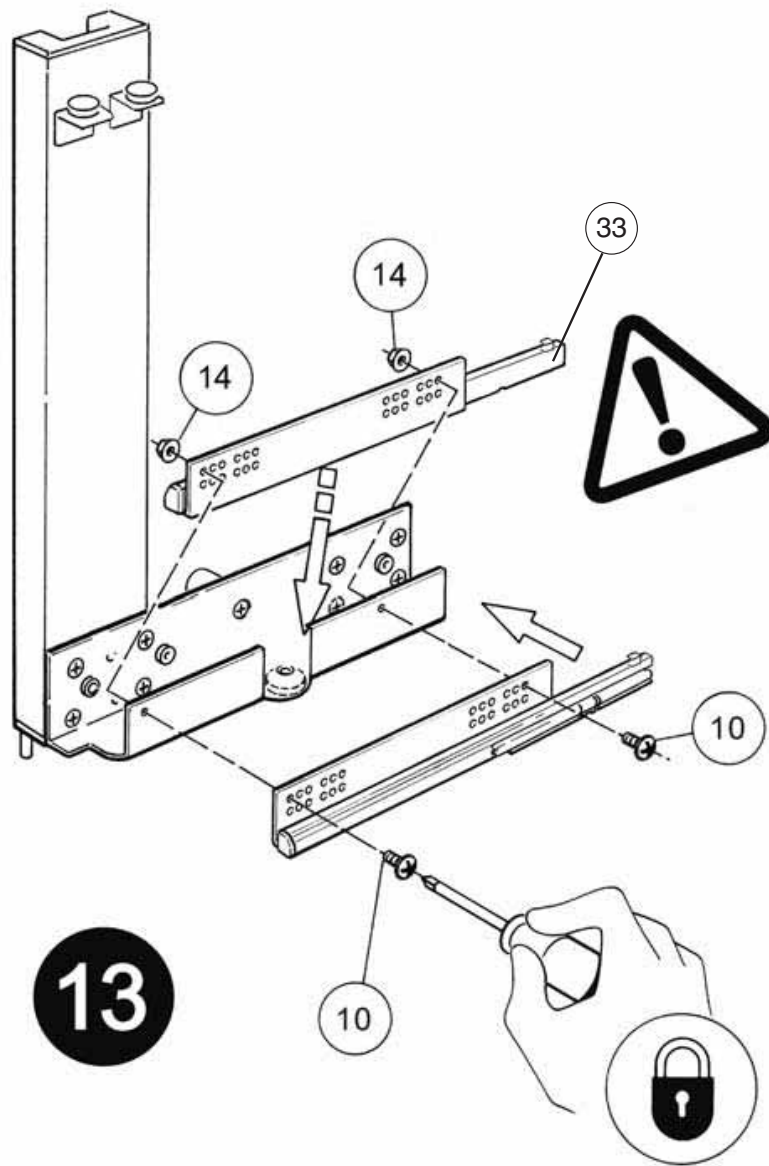
9

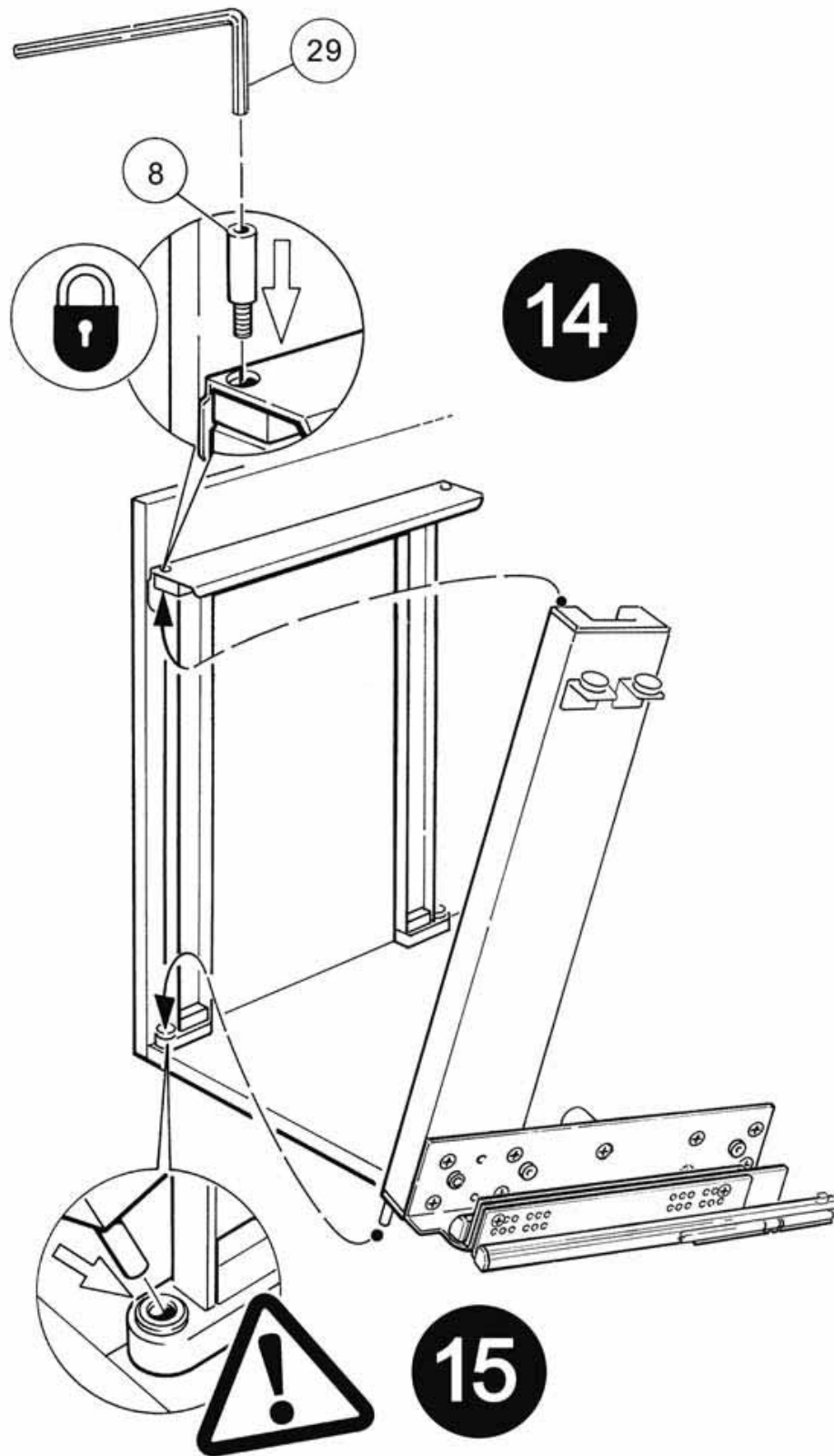


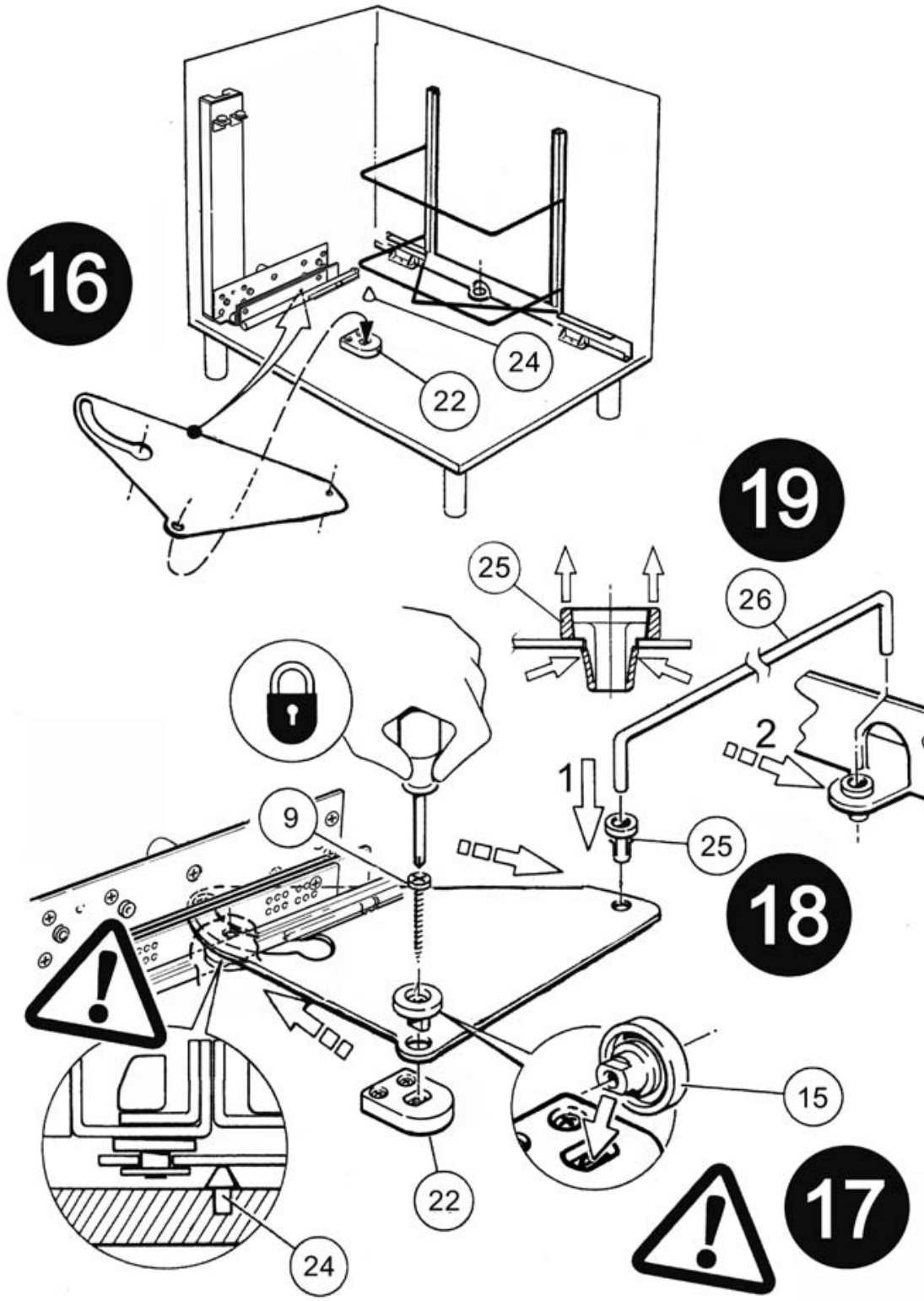
10







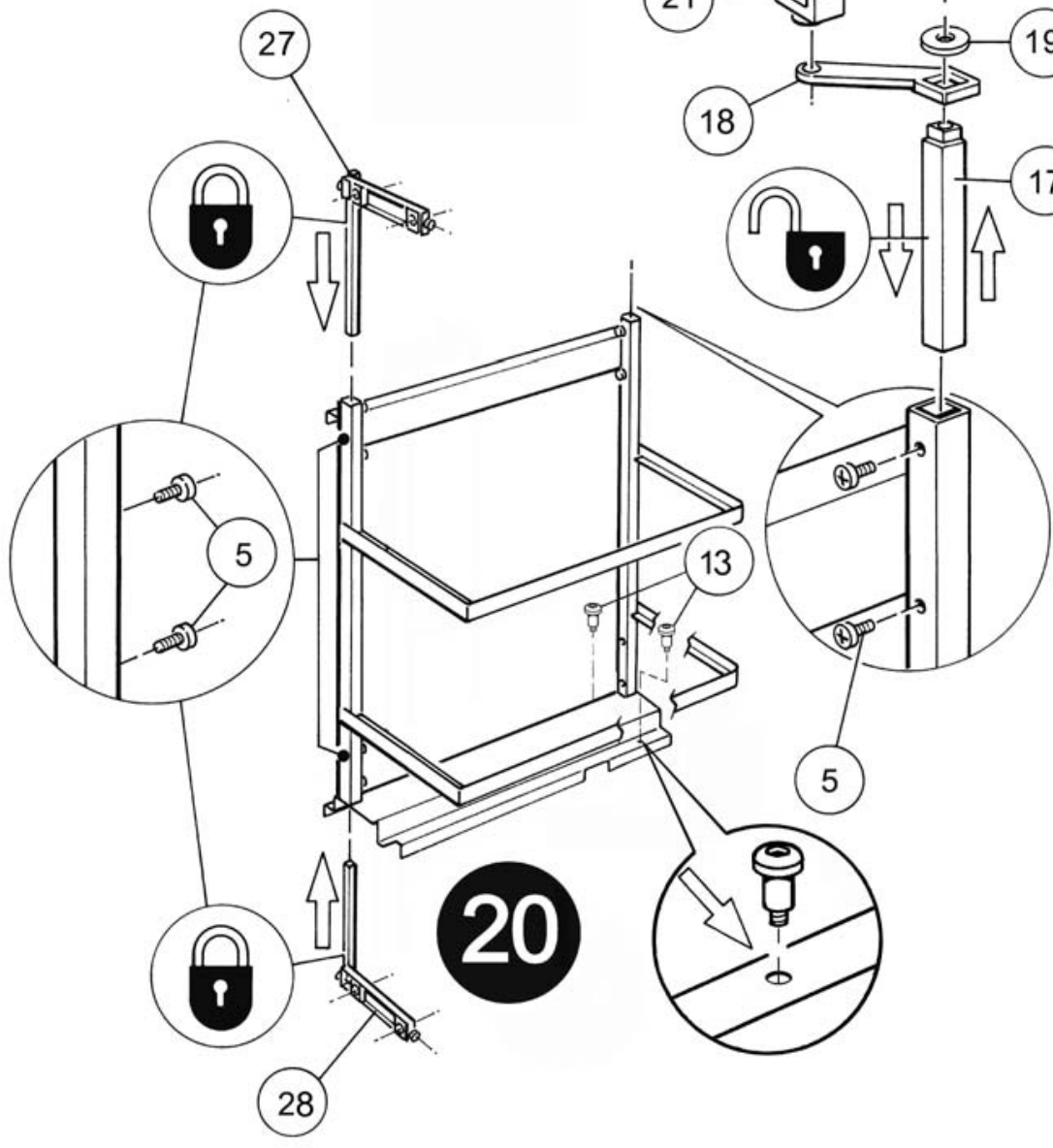
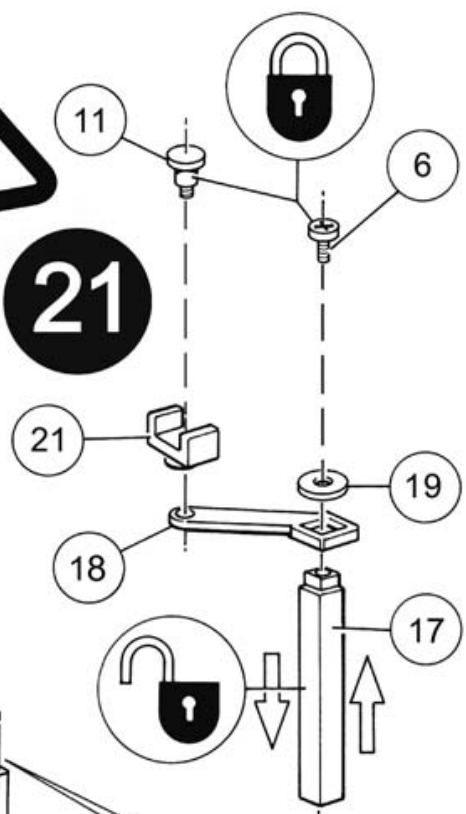




Connection/Attachment of "Nylon Roller" to "Slot" must be engaged completely so that the units pivots/operates correctly and Front and Rear Baskets don't Hit

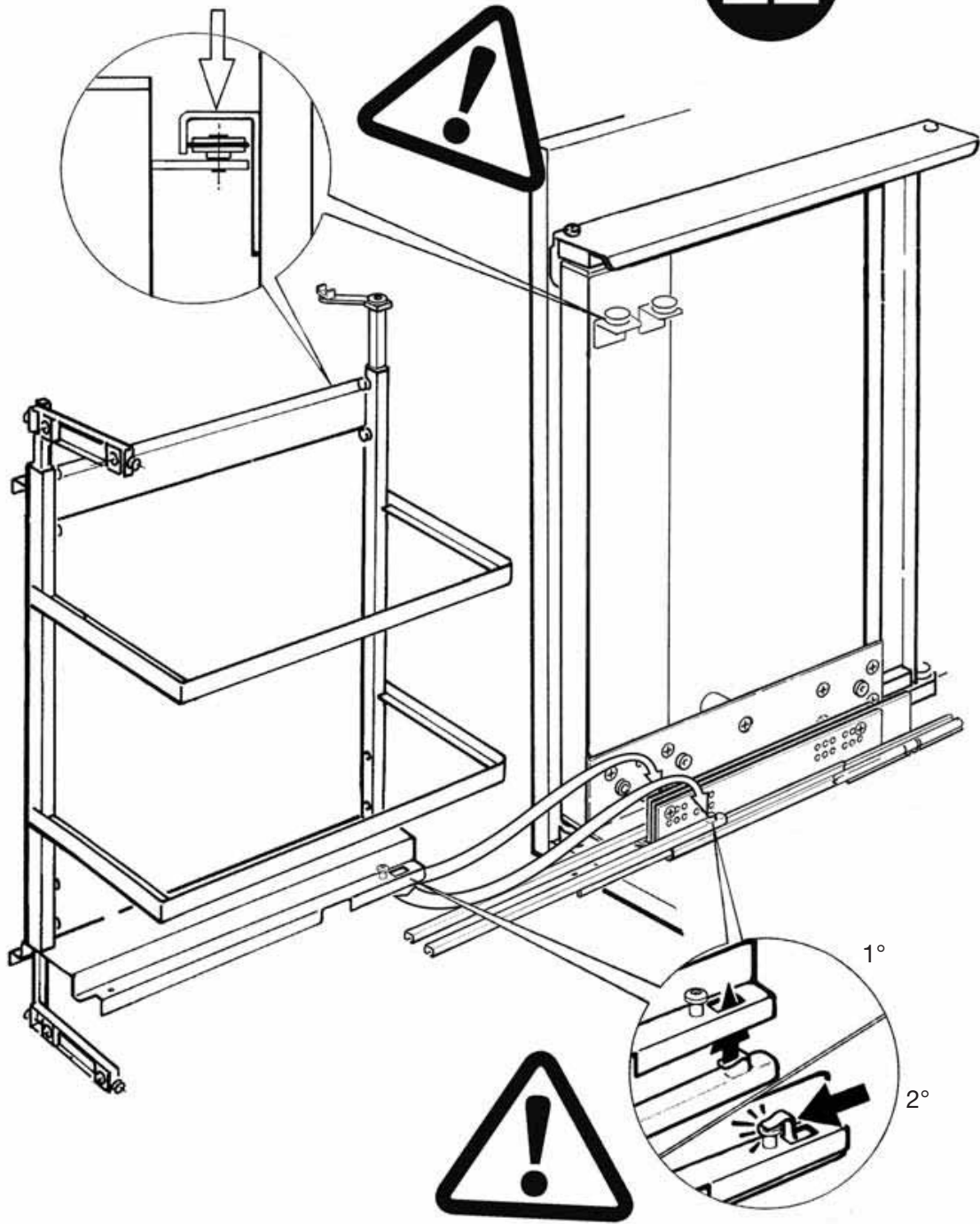


21

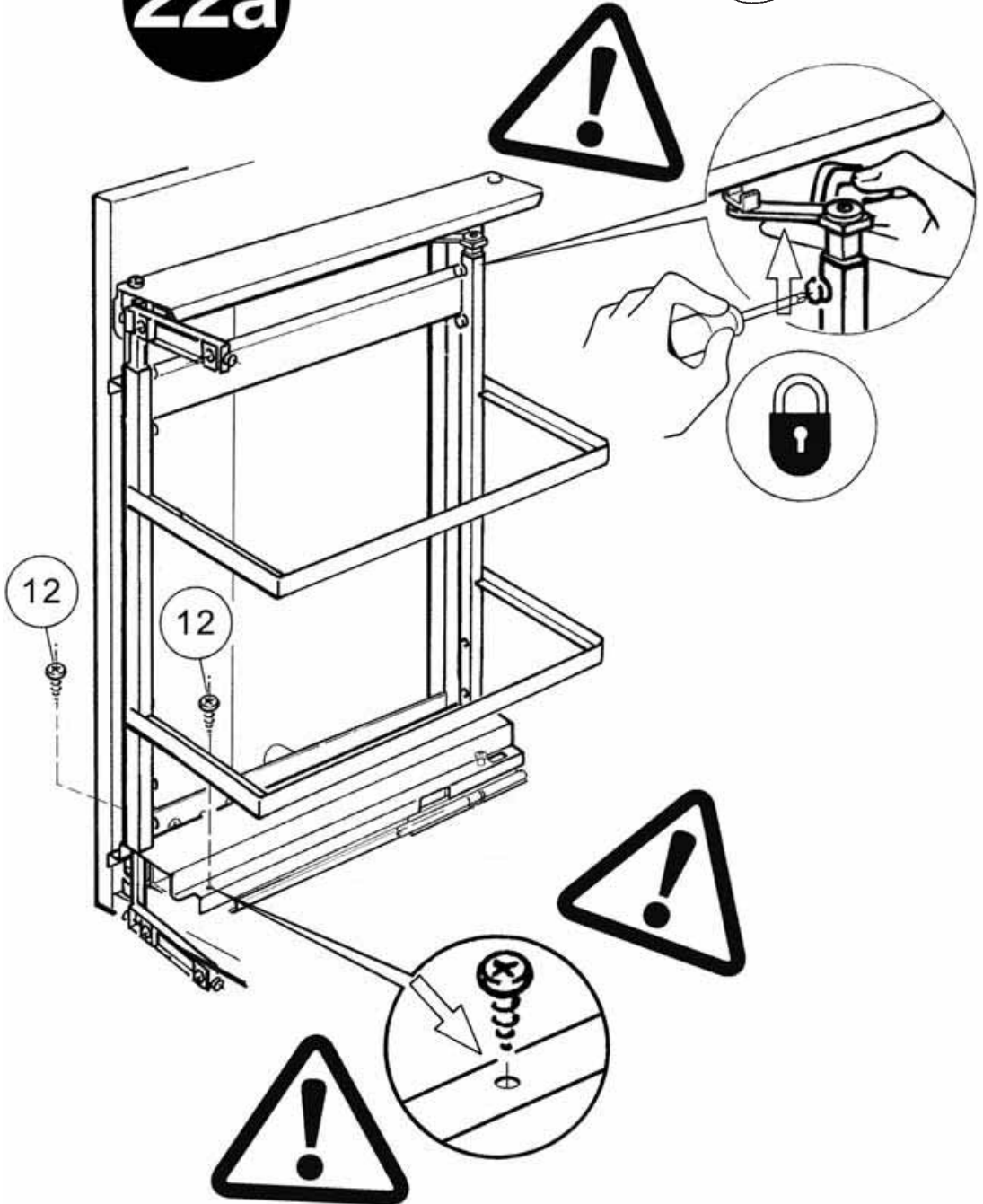
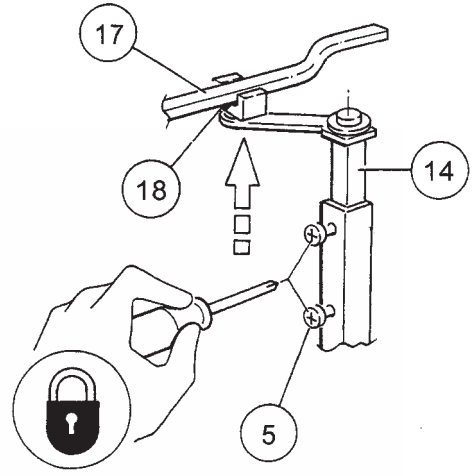


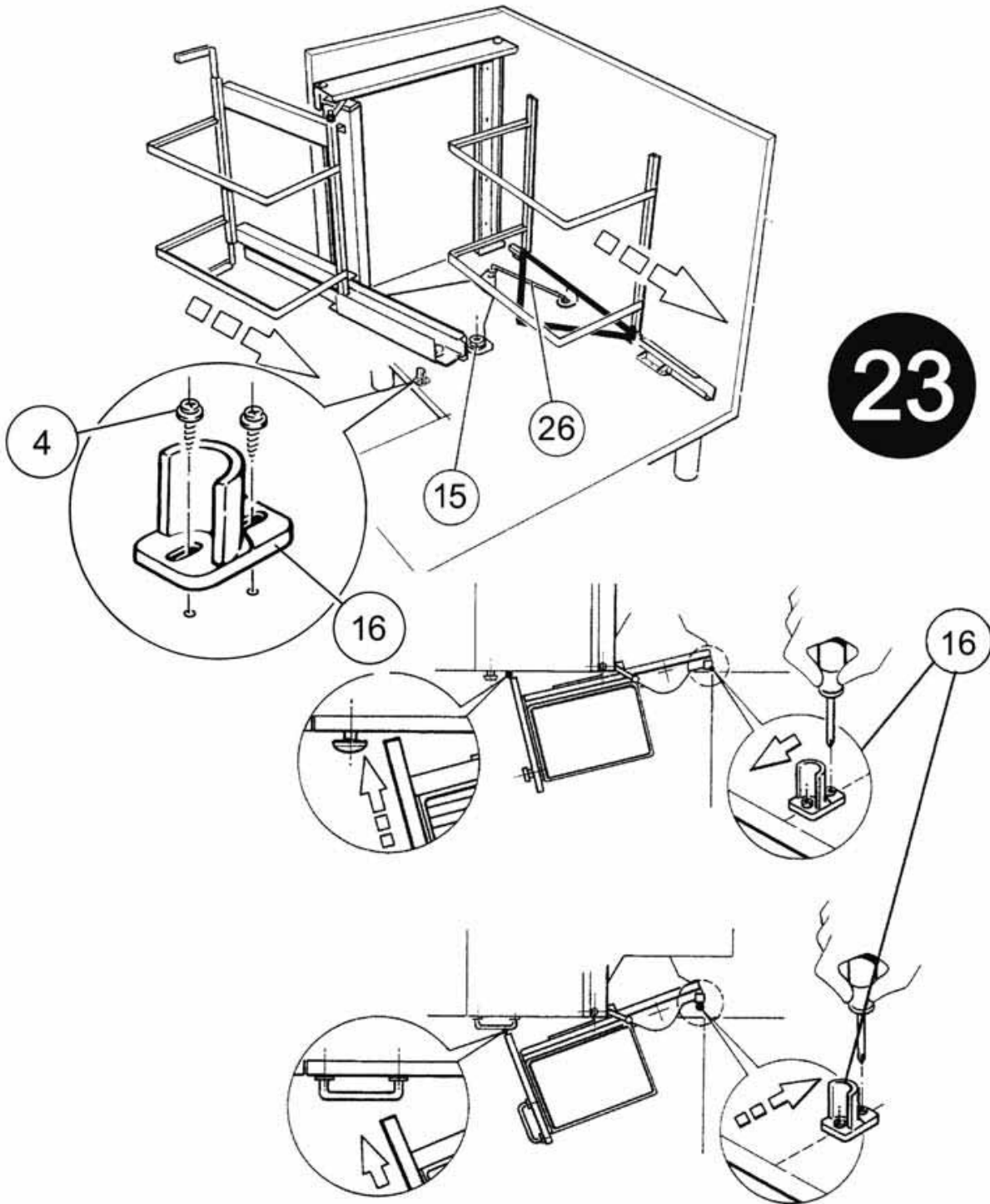
20

22

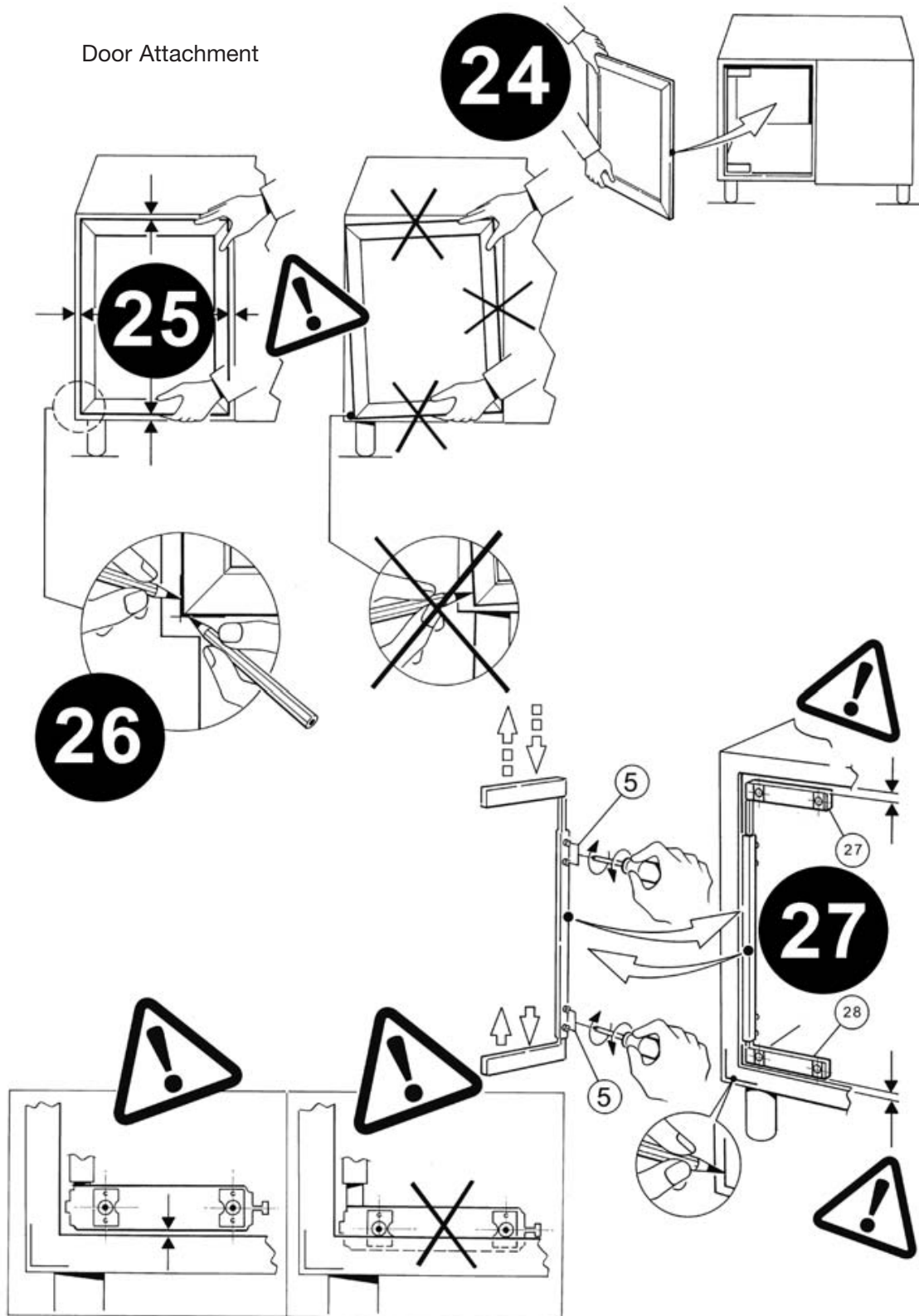


22a

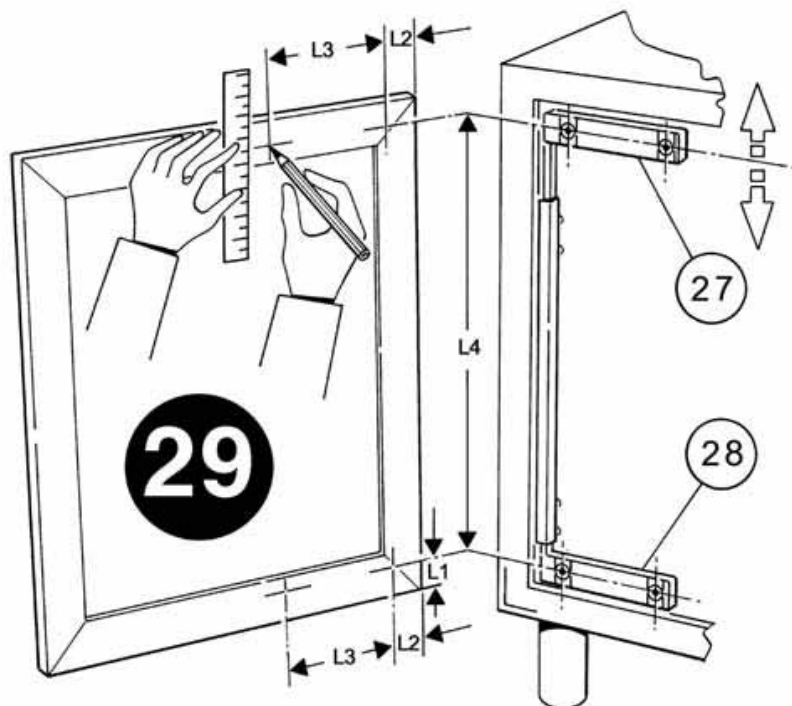
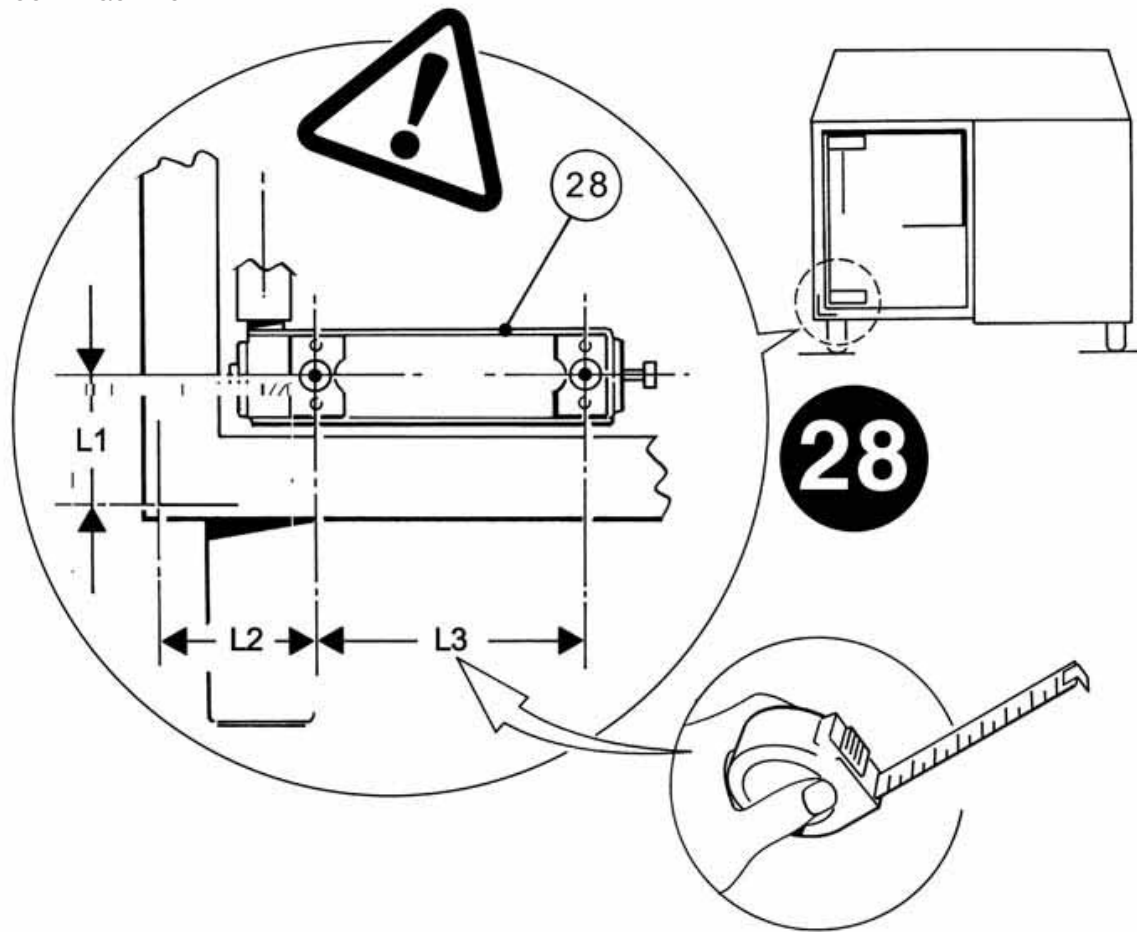


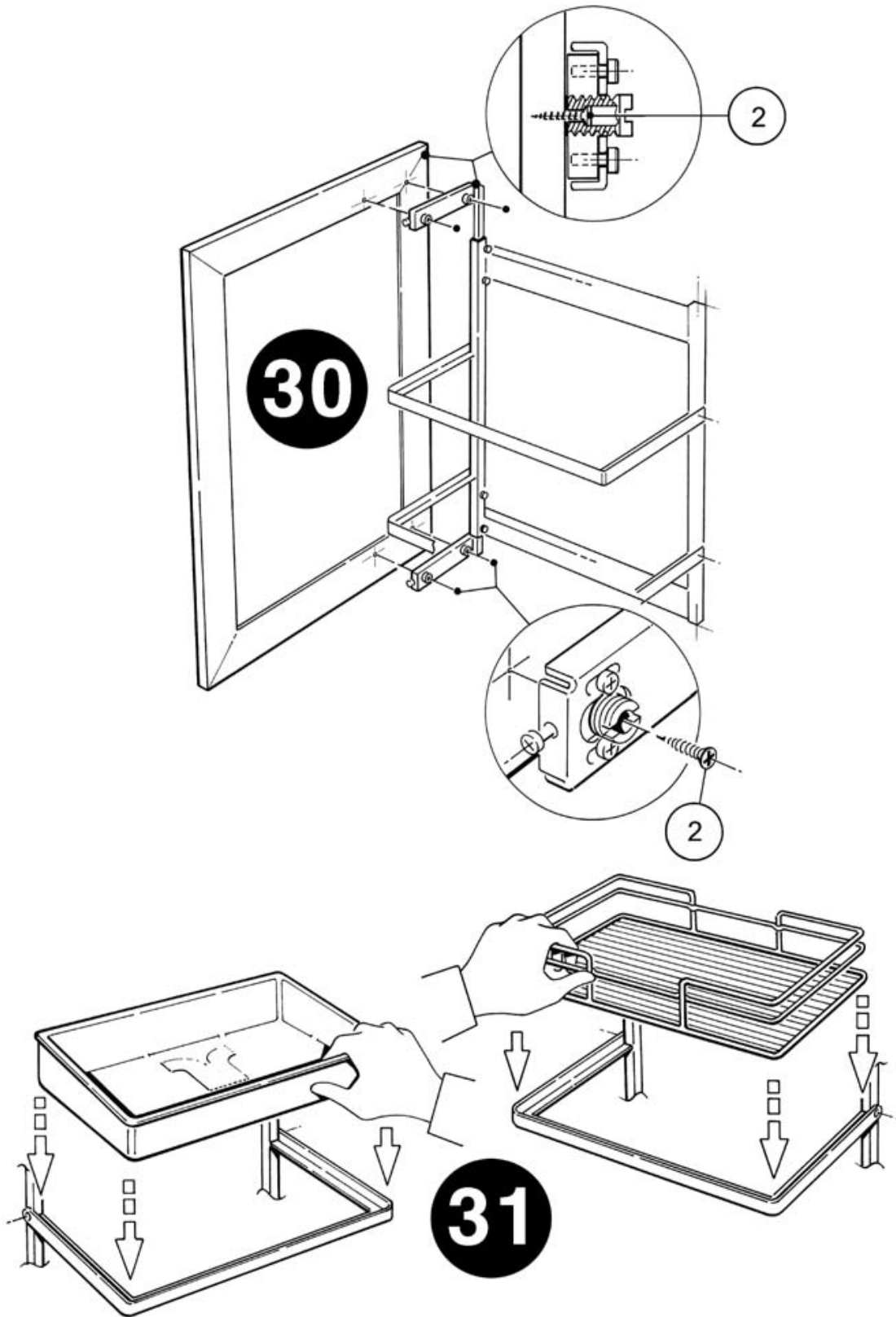


Door Attachment

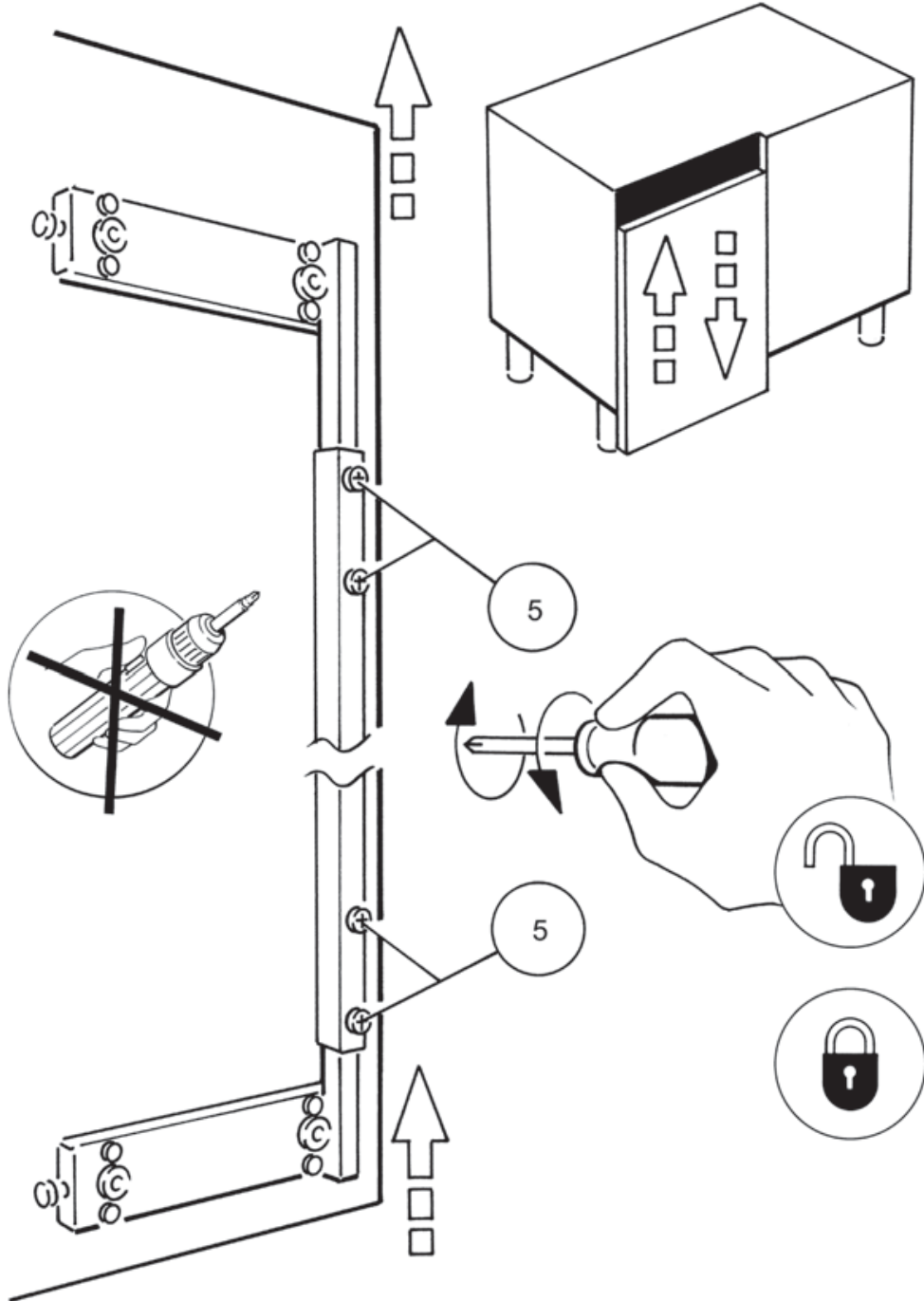


Door Attachment

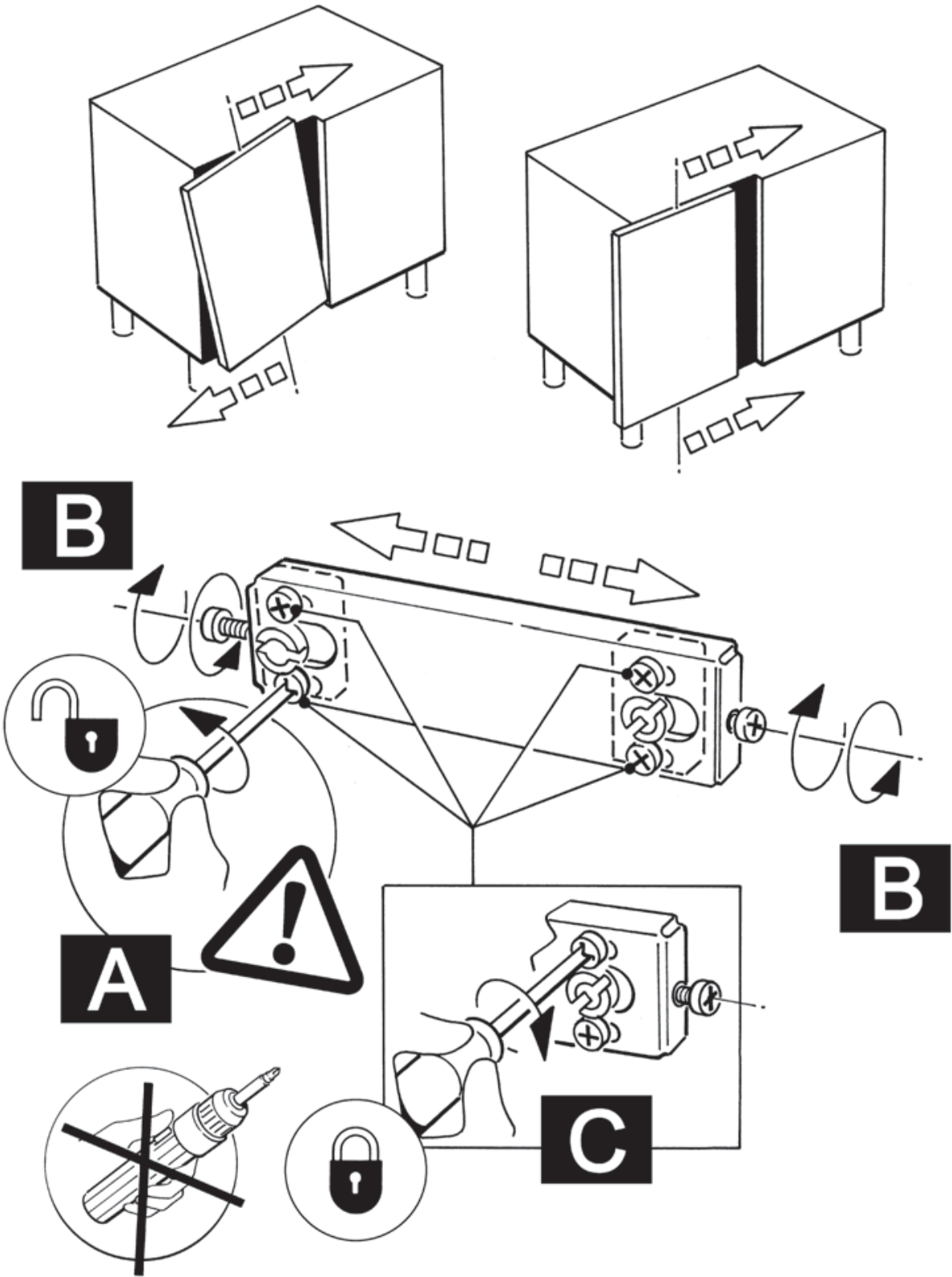




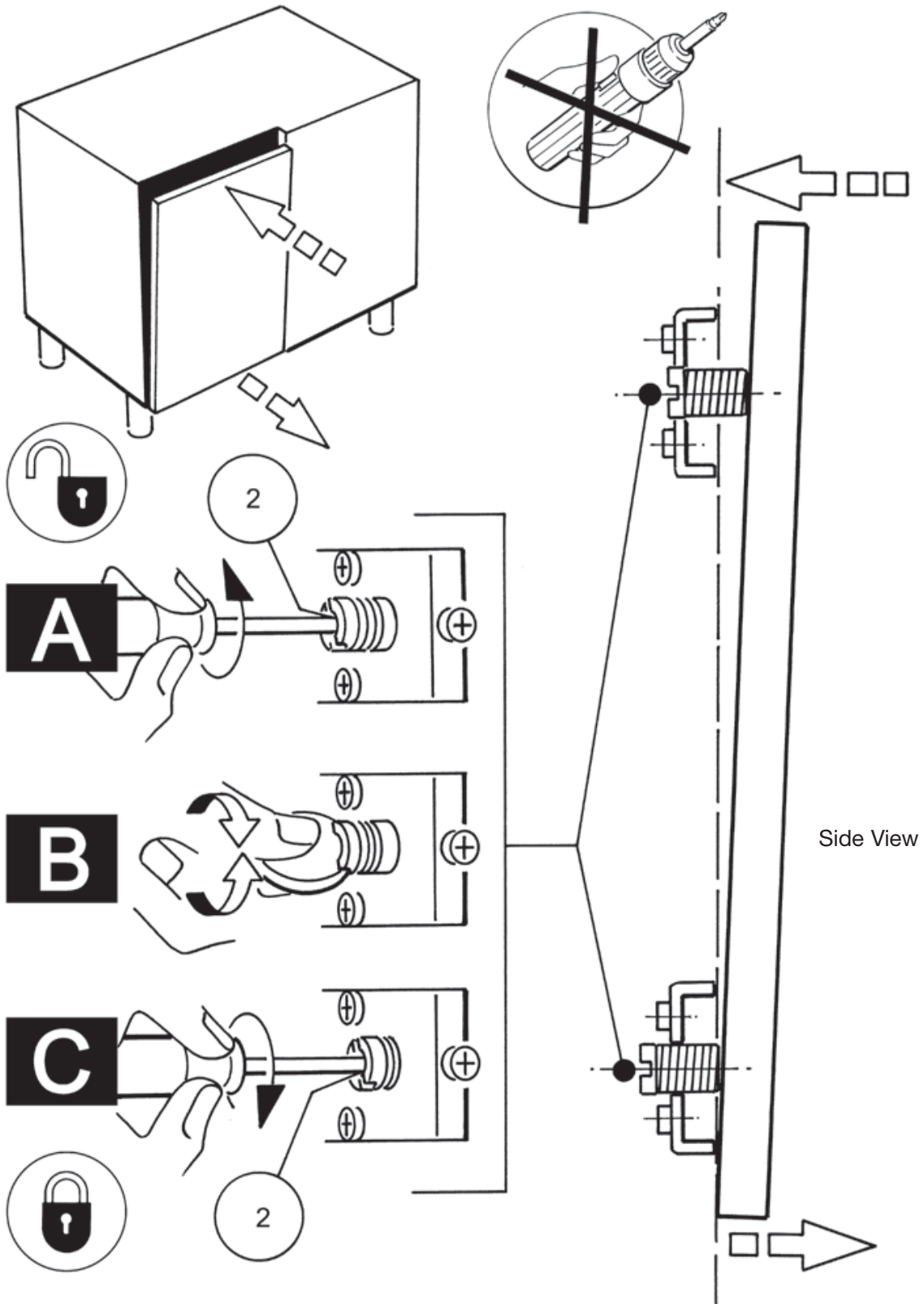
Cabinet Door adjustment "Vertical Door Adjustment"



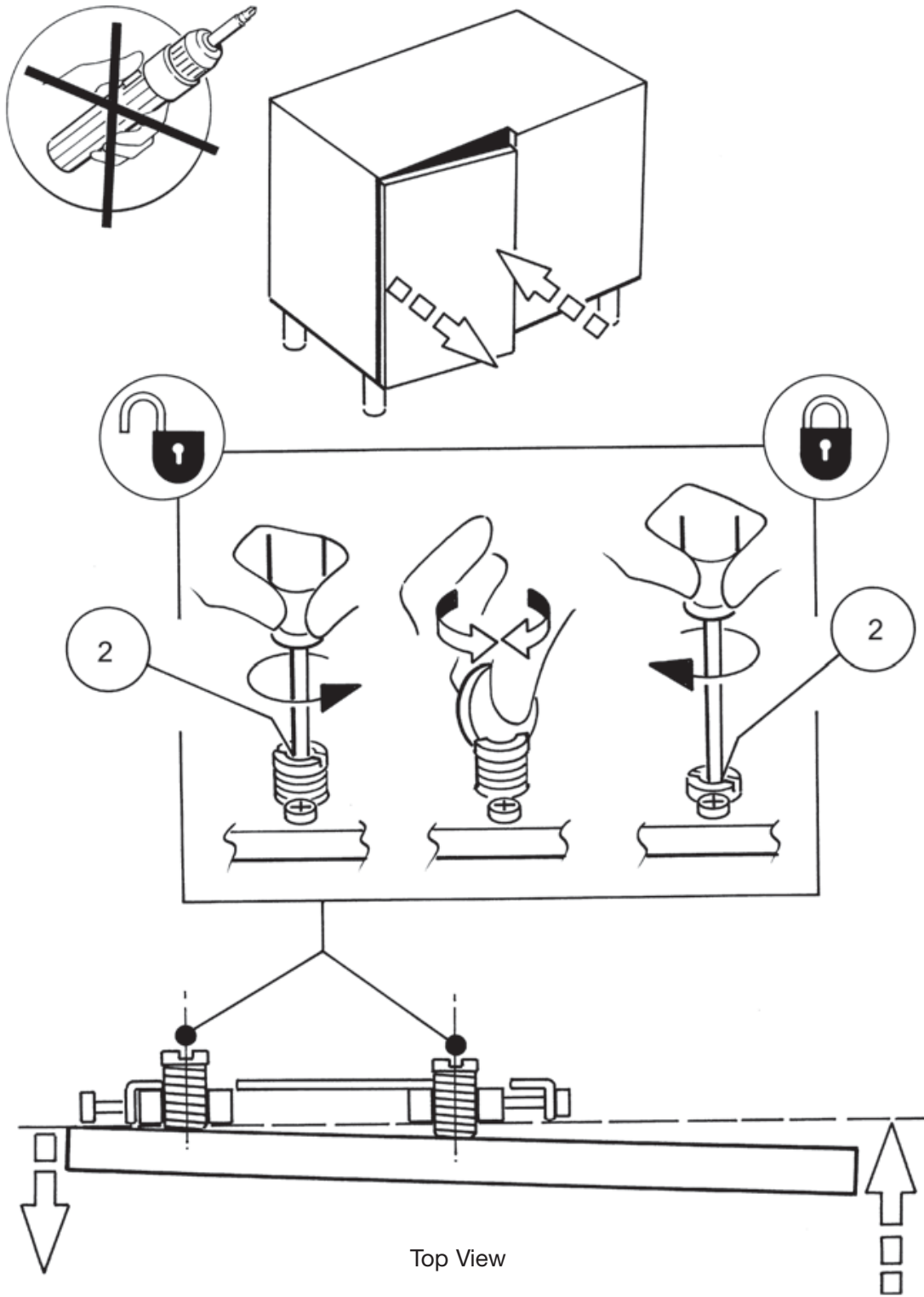
Cabinet Door adjustment "Side to Side Adjustment"

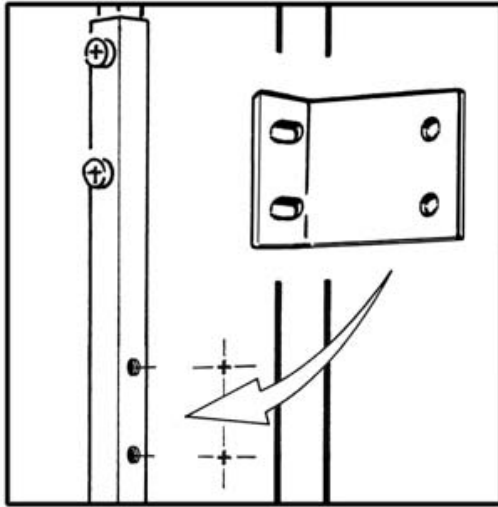


Do not use electric or cordless Screw Driver to make adjustment

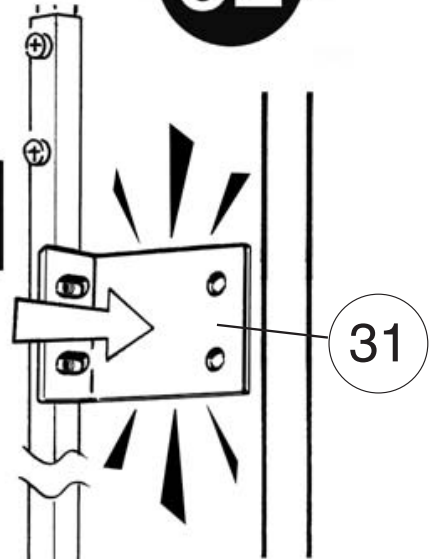


Do not use electric or cordless Screw Driver to make adjustment

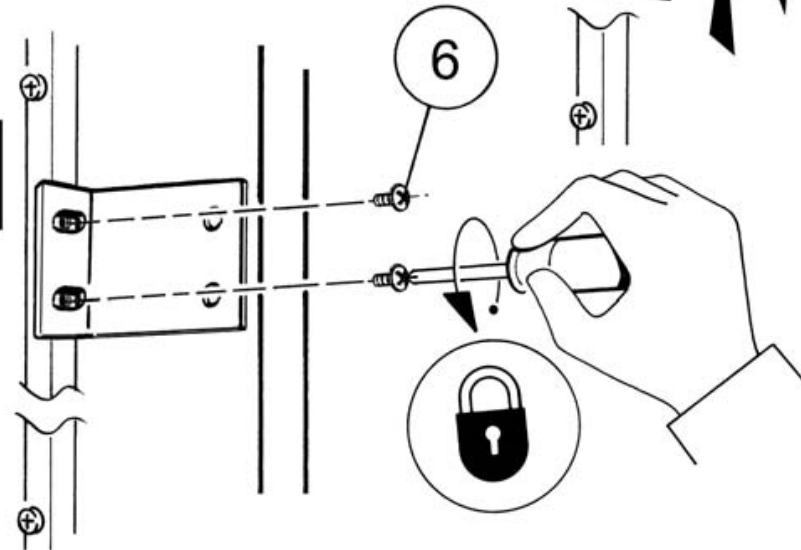




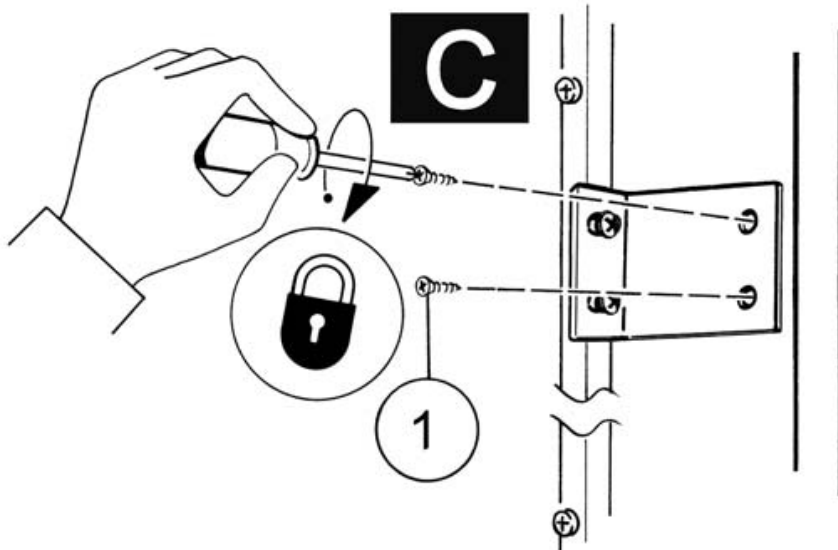
A



B



C





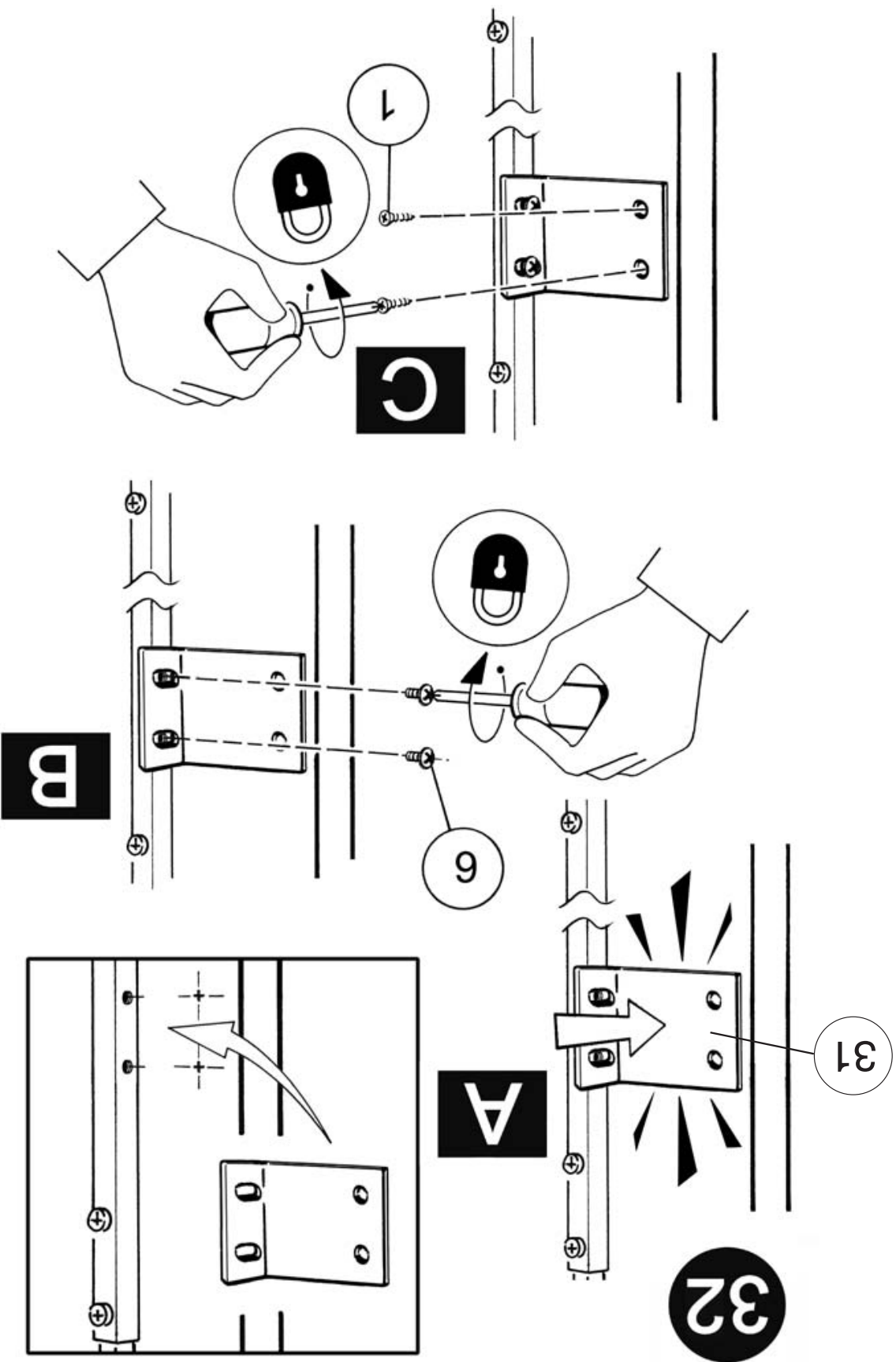
If you have any questions or would like additional information on the rest of our products, please contact our Customer Service Specialists between 8 Am and 5Pm Eastern Time at:

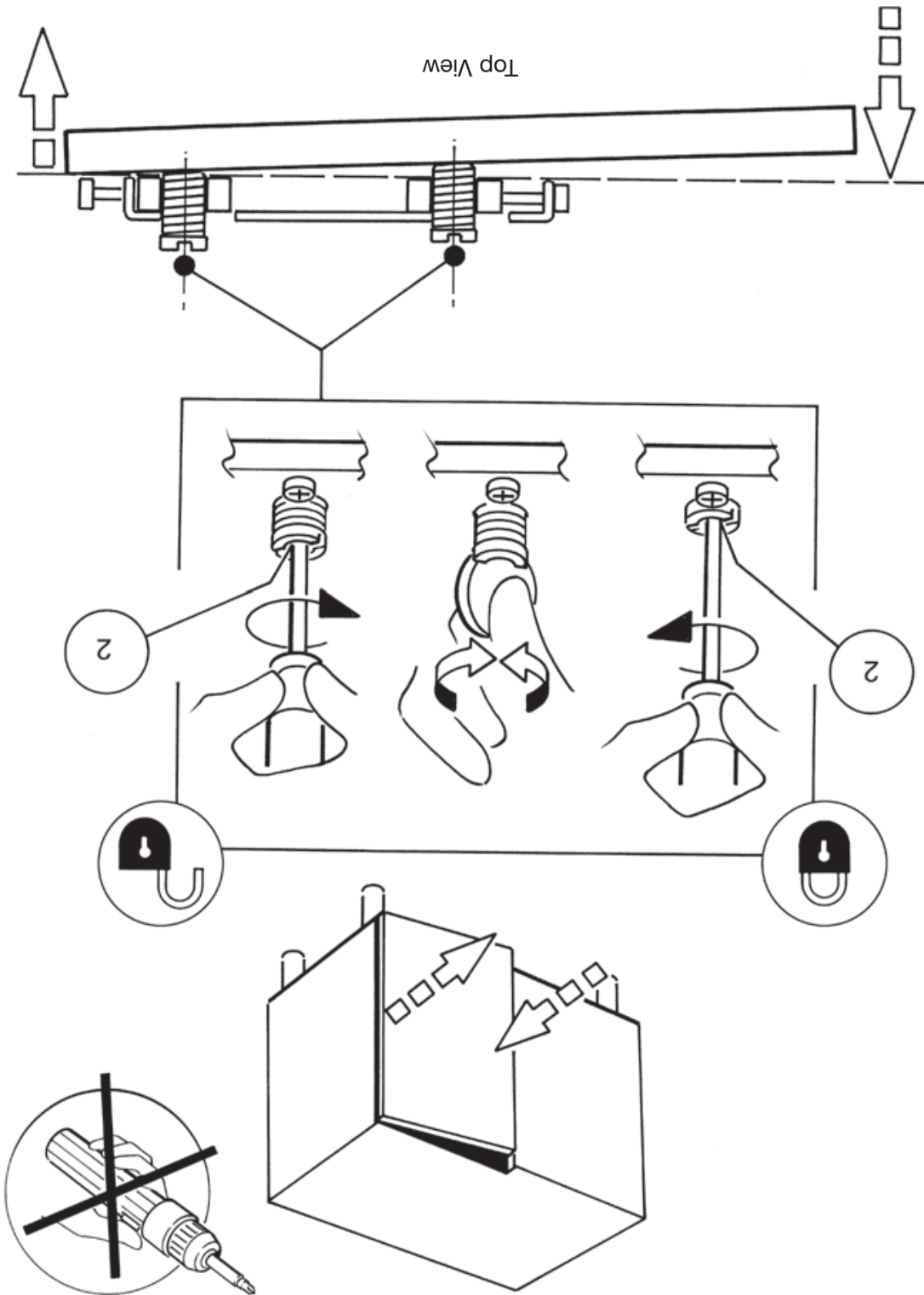
1-800-626-1126

1-800-626-1126

If you have any questions or would like additional information on the rest of our products, please contact our Customer Service Specialists between 8 Am and 5Pm Eastern Time at:

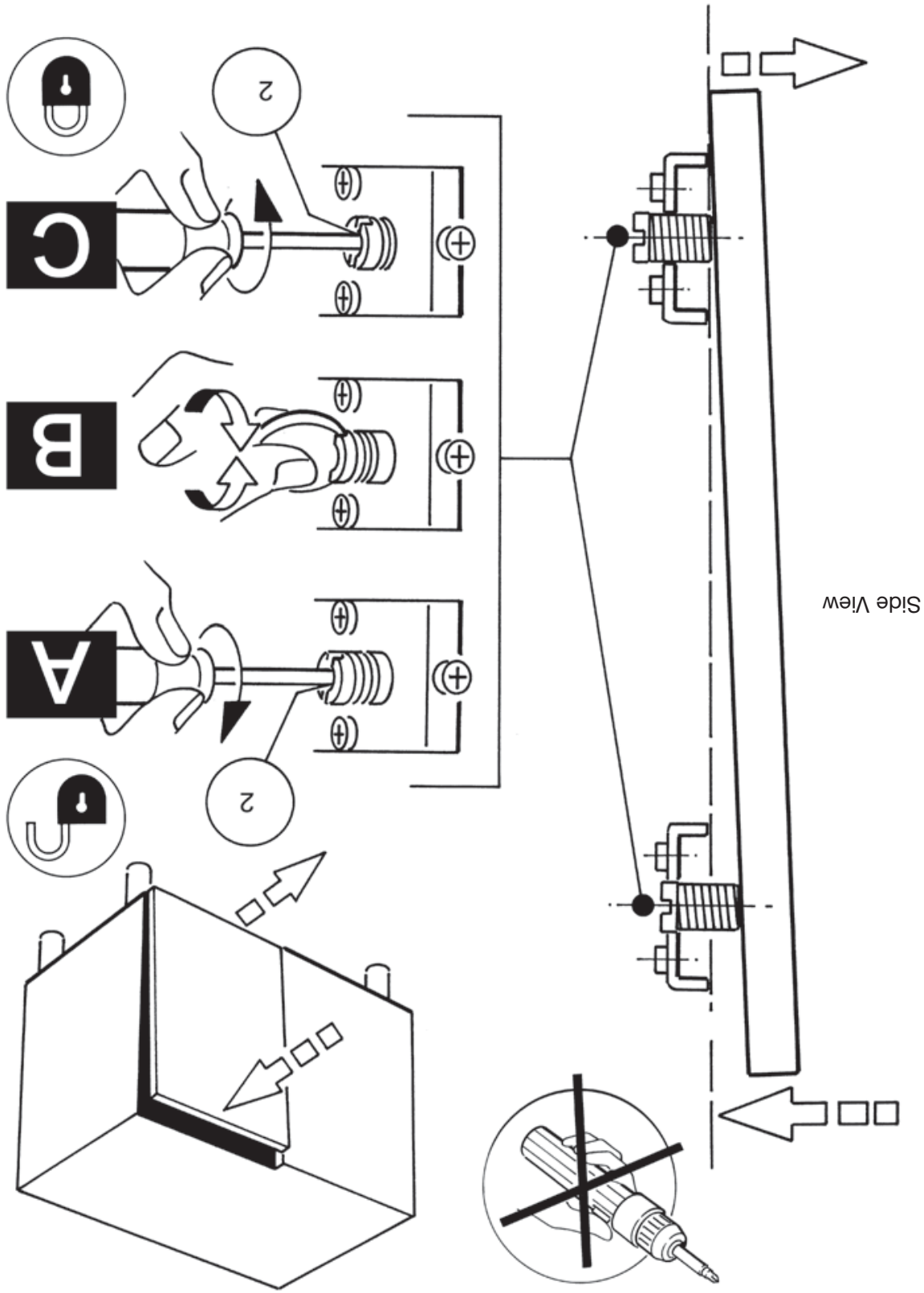




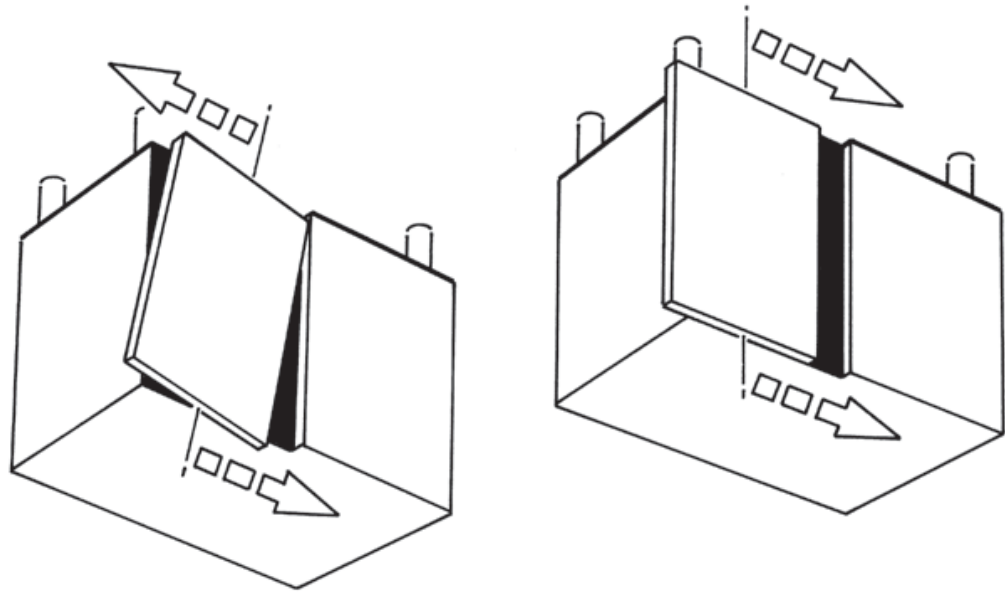
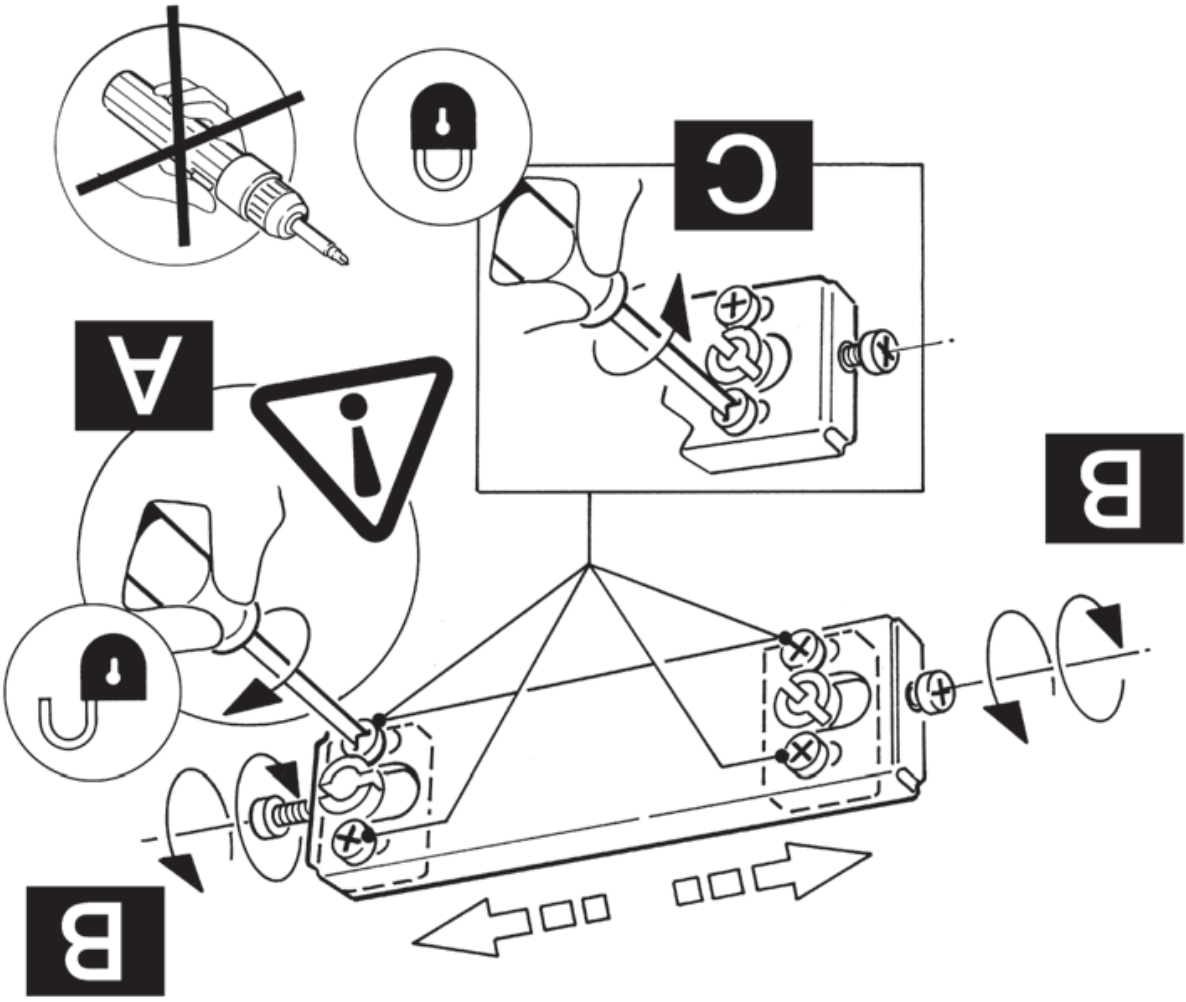


Do not use electric or cordless Screw Driver to make adjustment

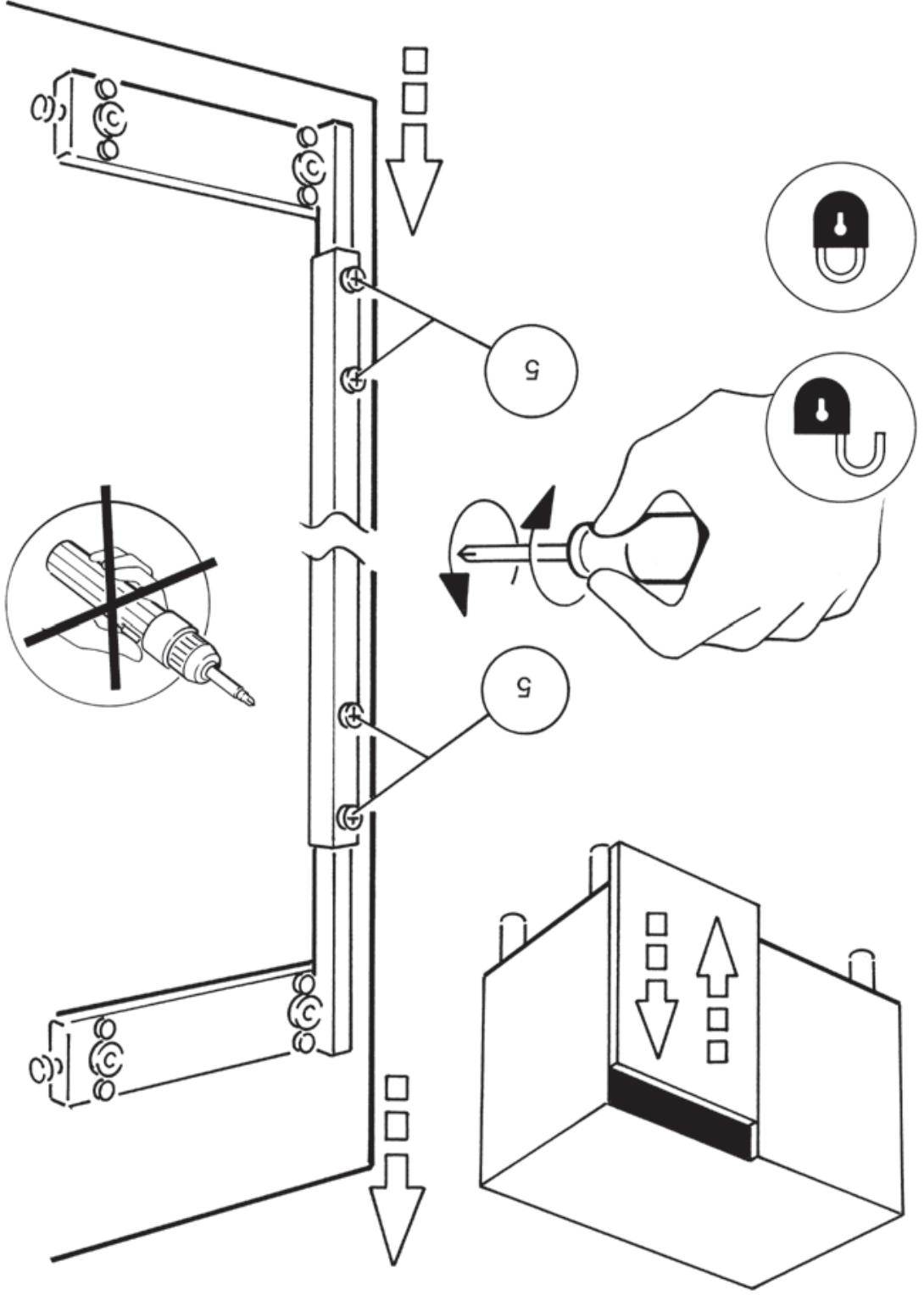
Do not use electric or cordless Screw Driver to make adjustment



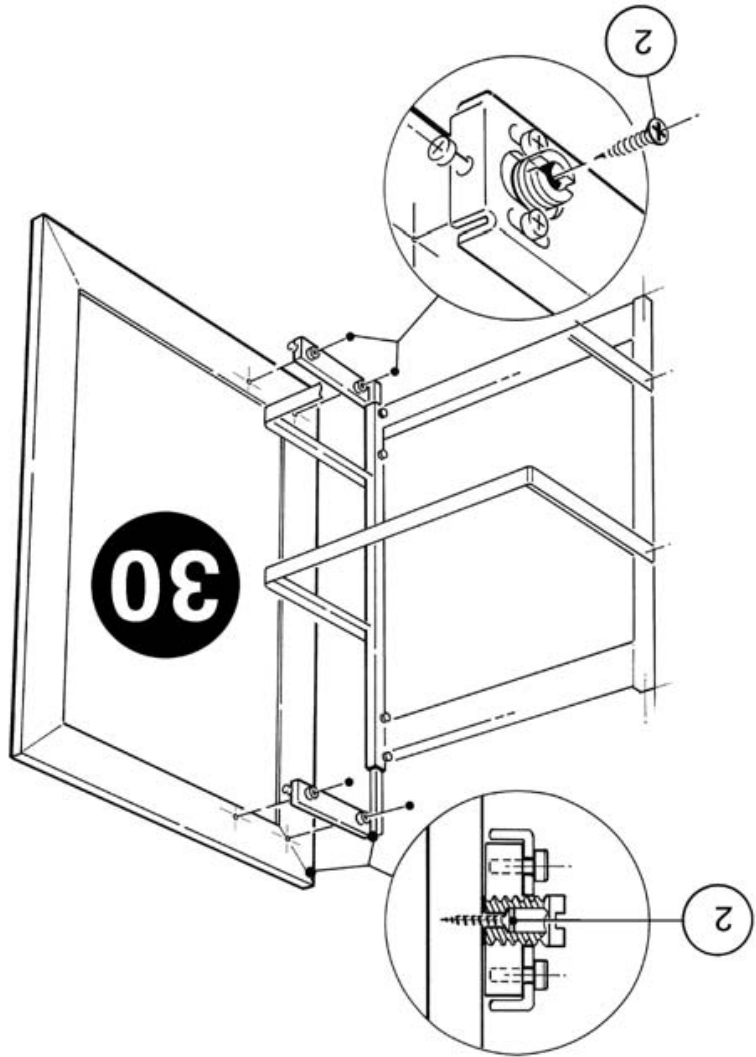
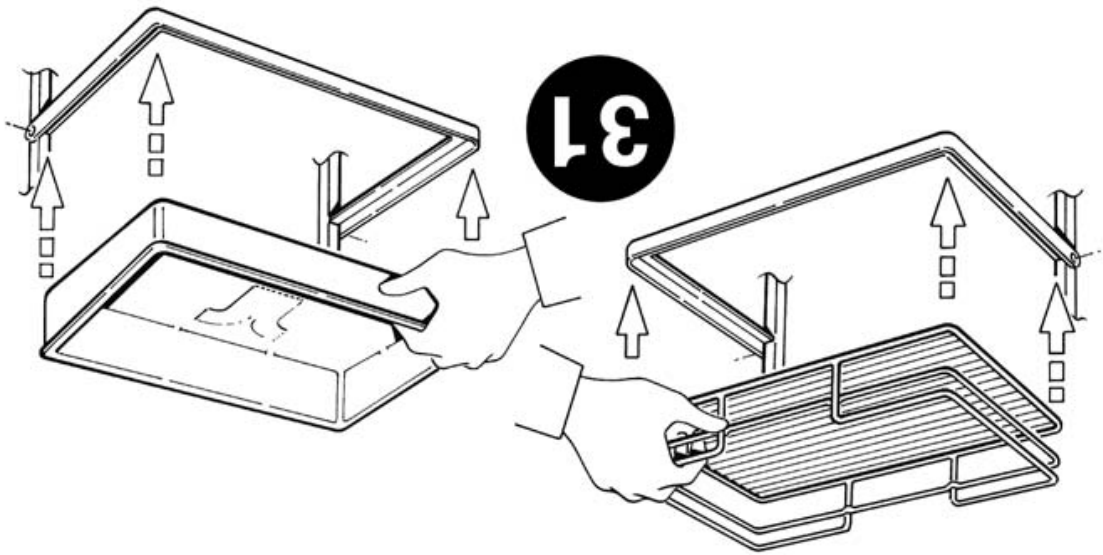
Side View



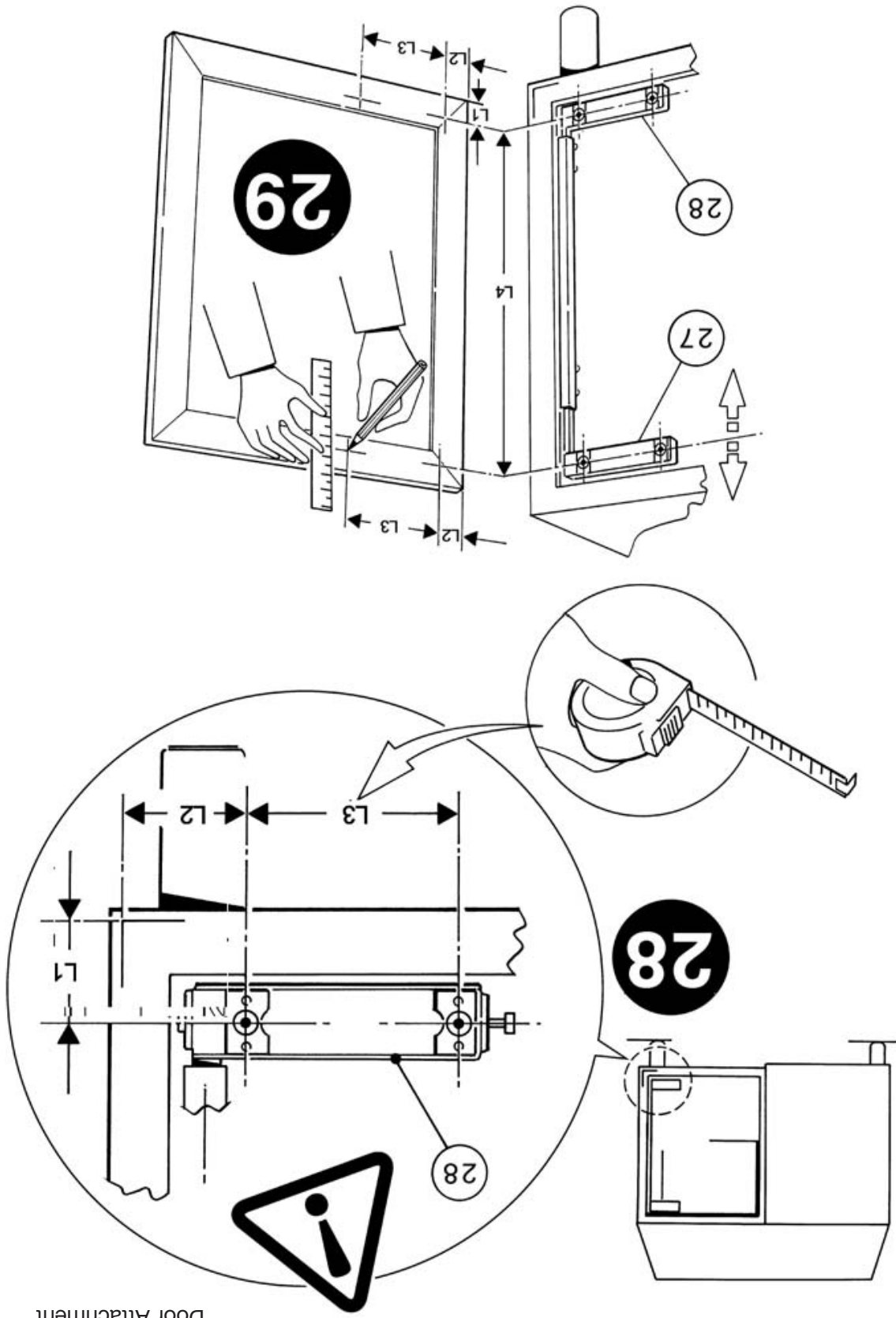
Cabinet Door adjustment "Side to Side Adjustment"

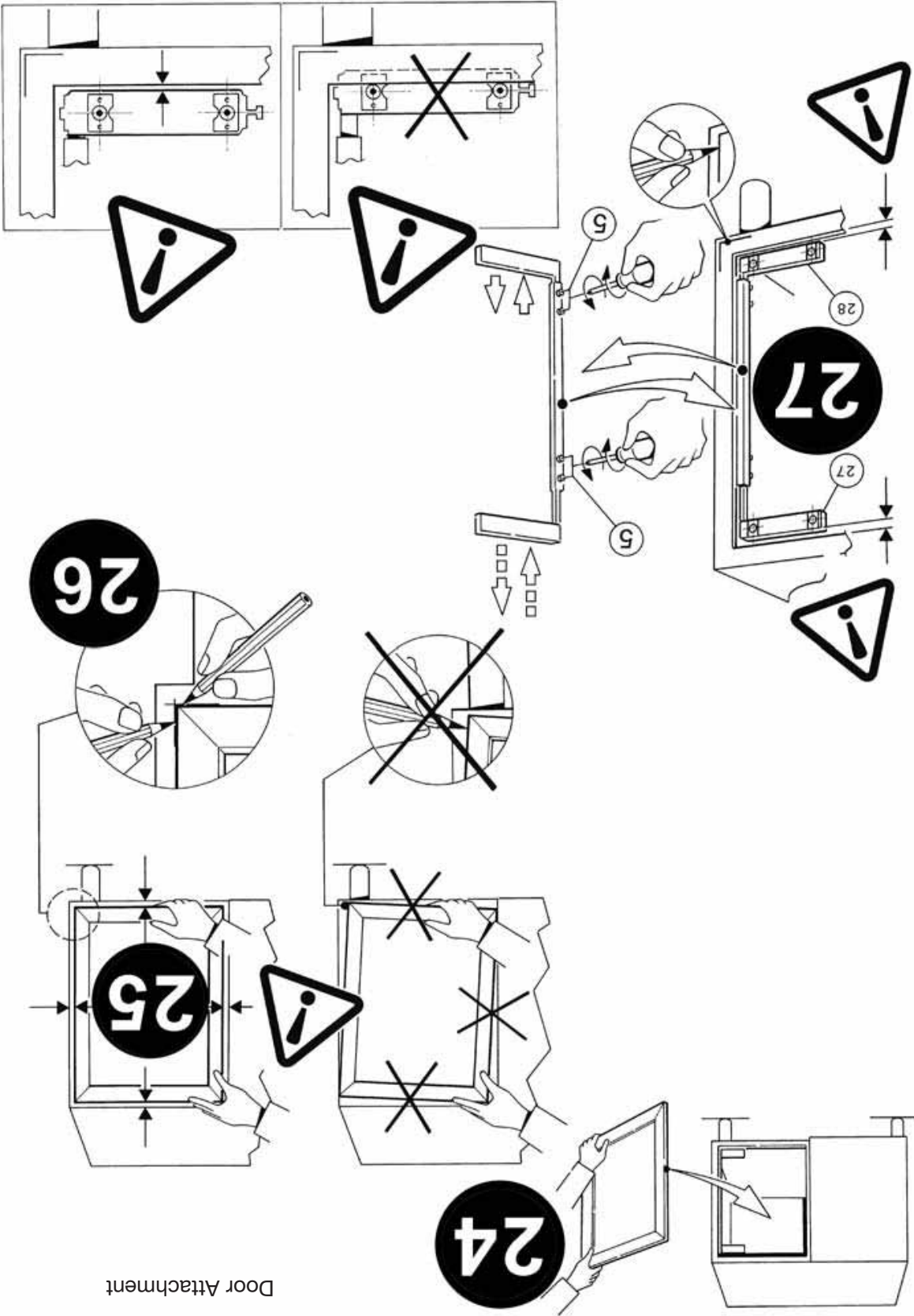


Cabinet Door adjustment "Vertical Door Adjustment"

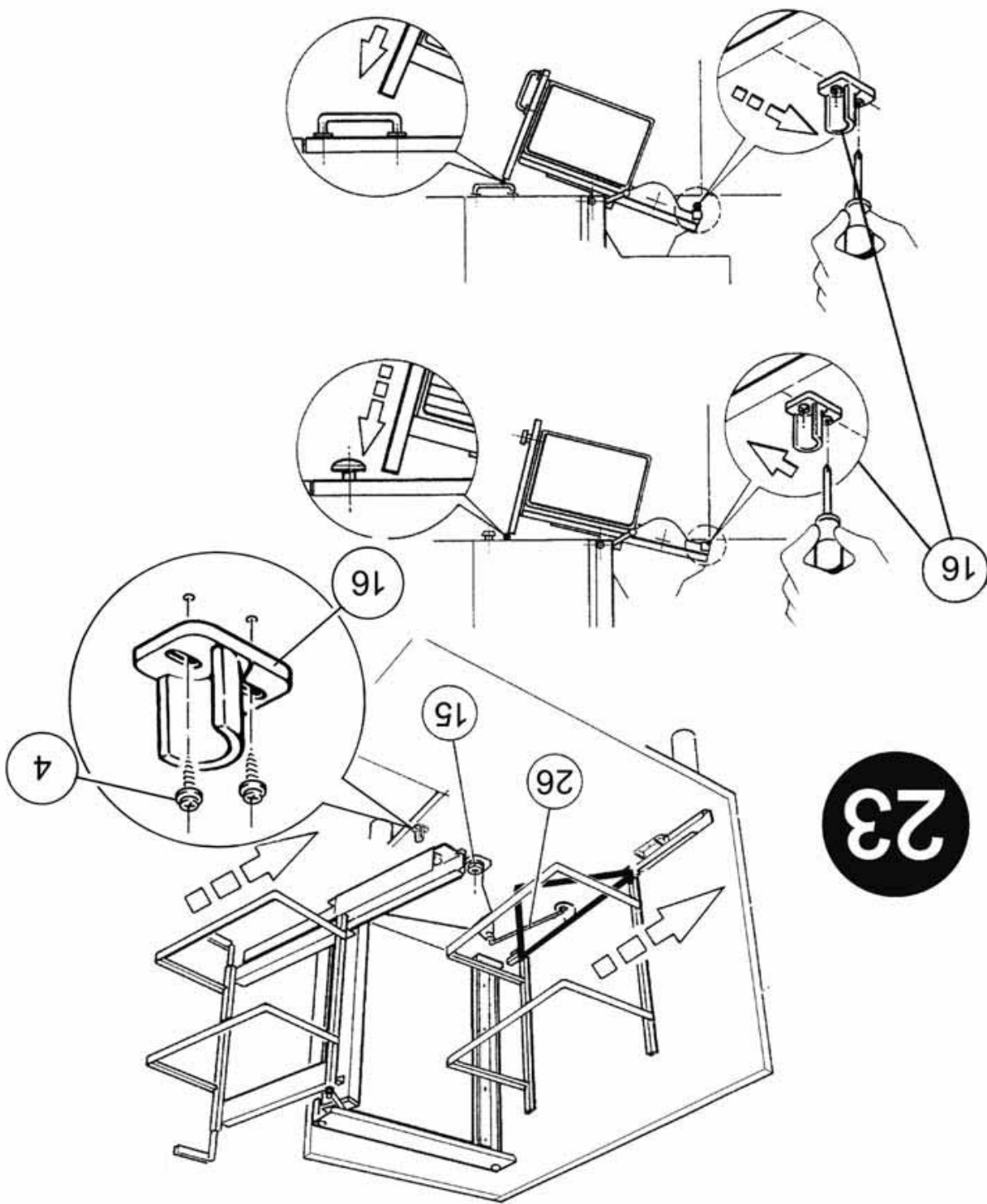


Door Attachment

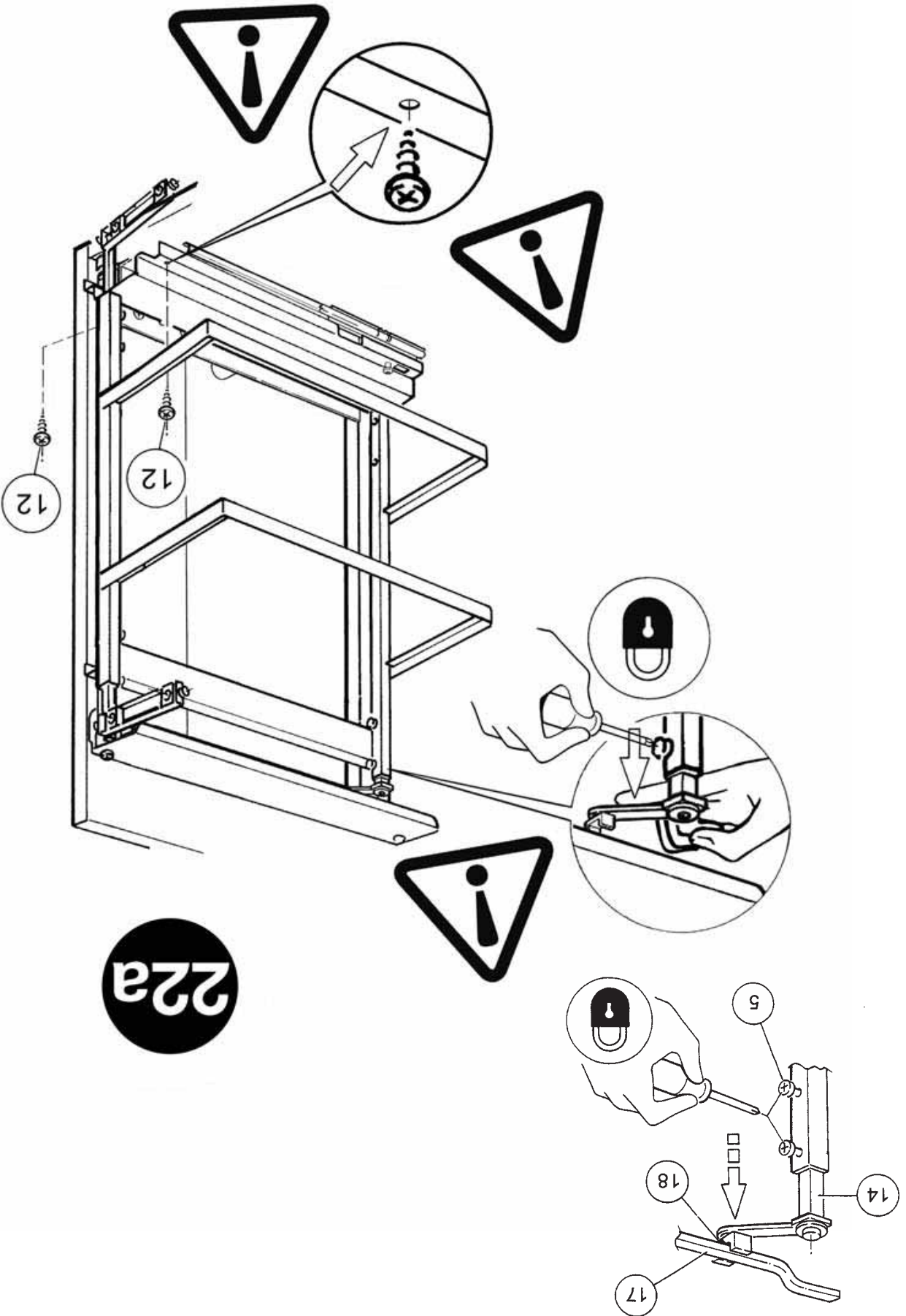


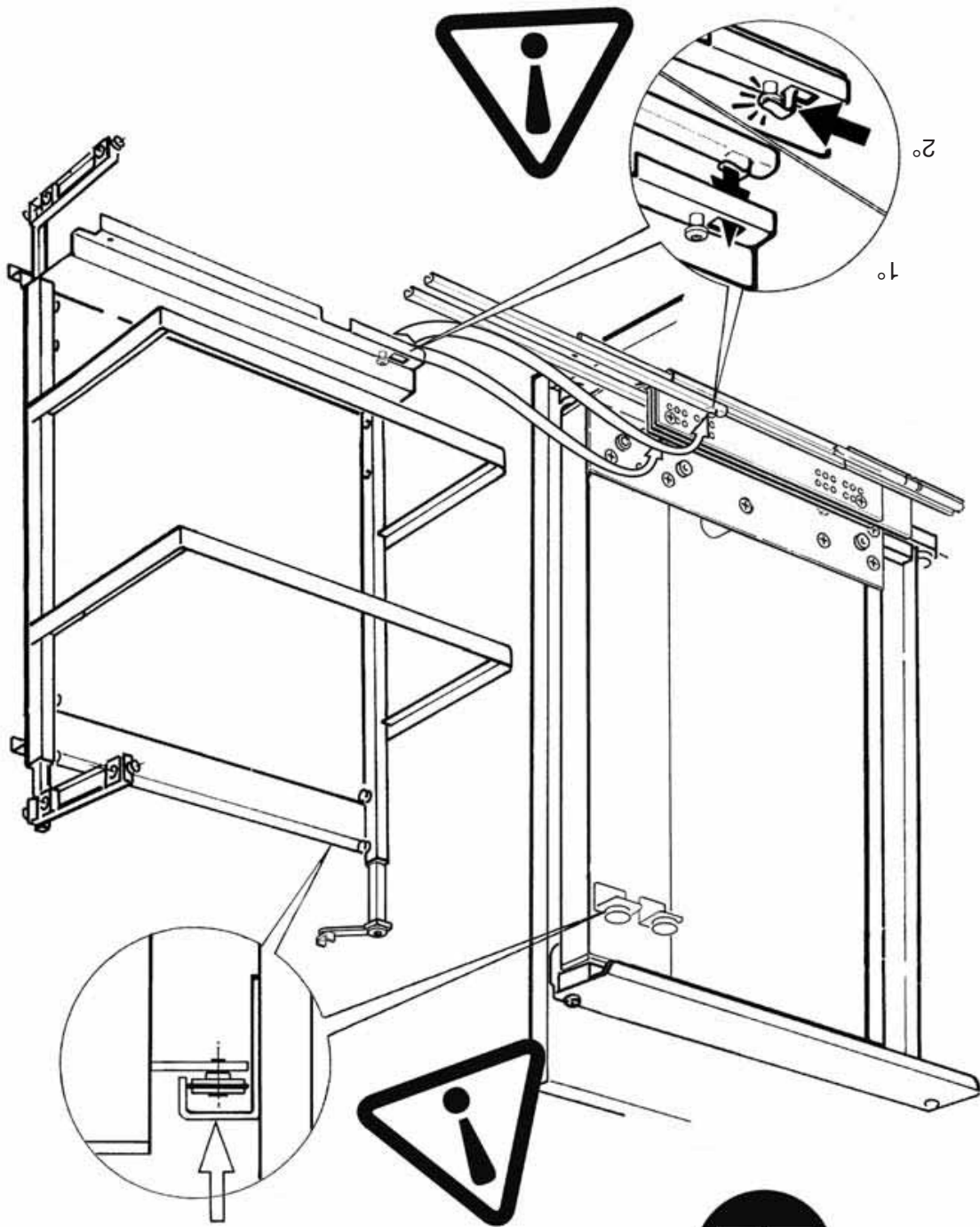


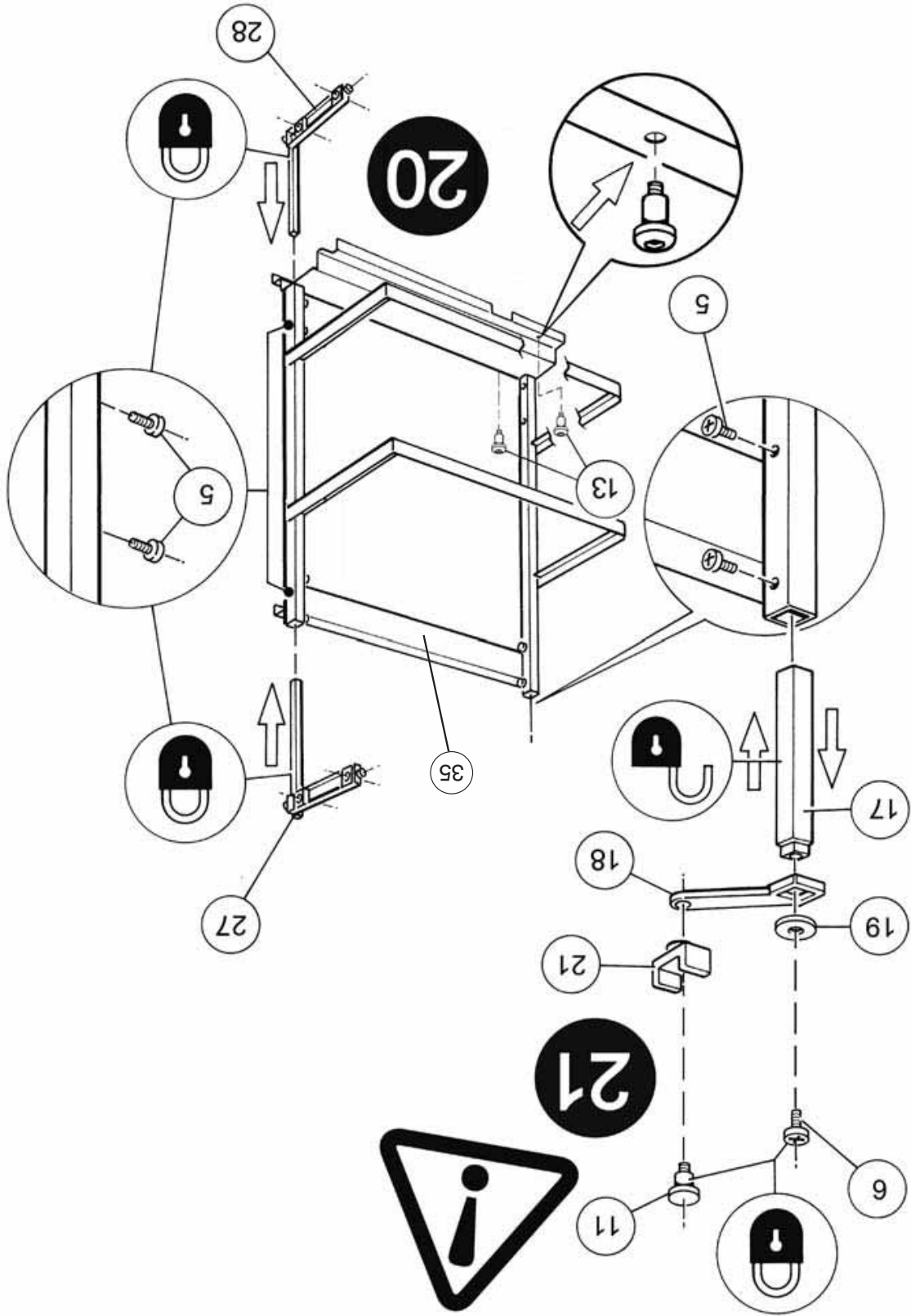
Door Attachment



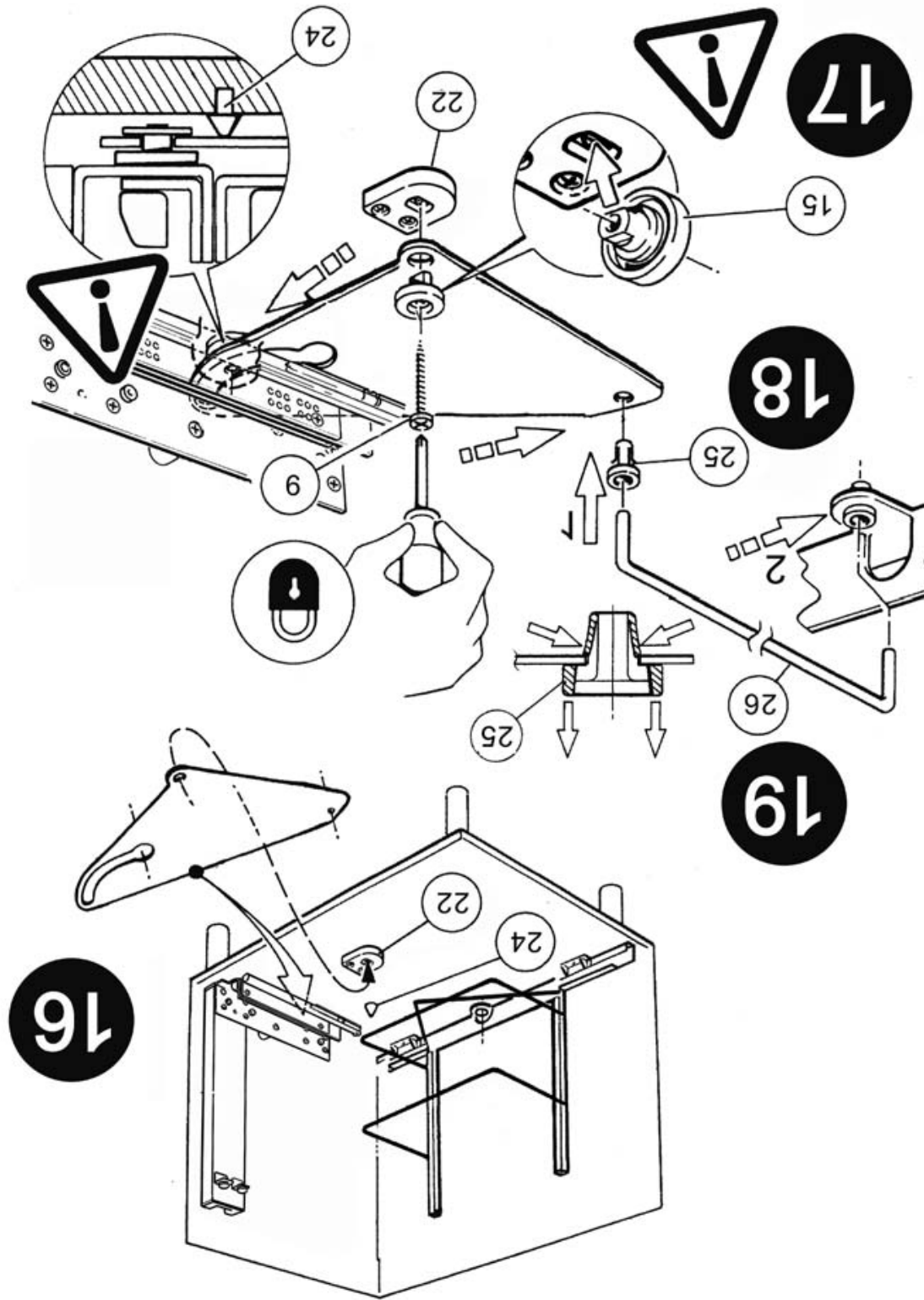
23

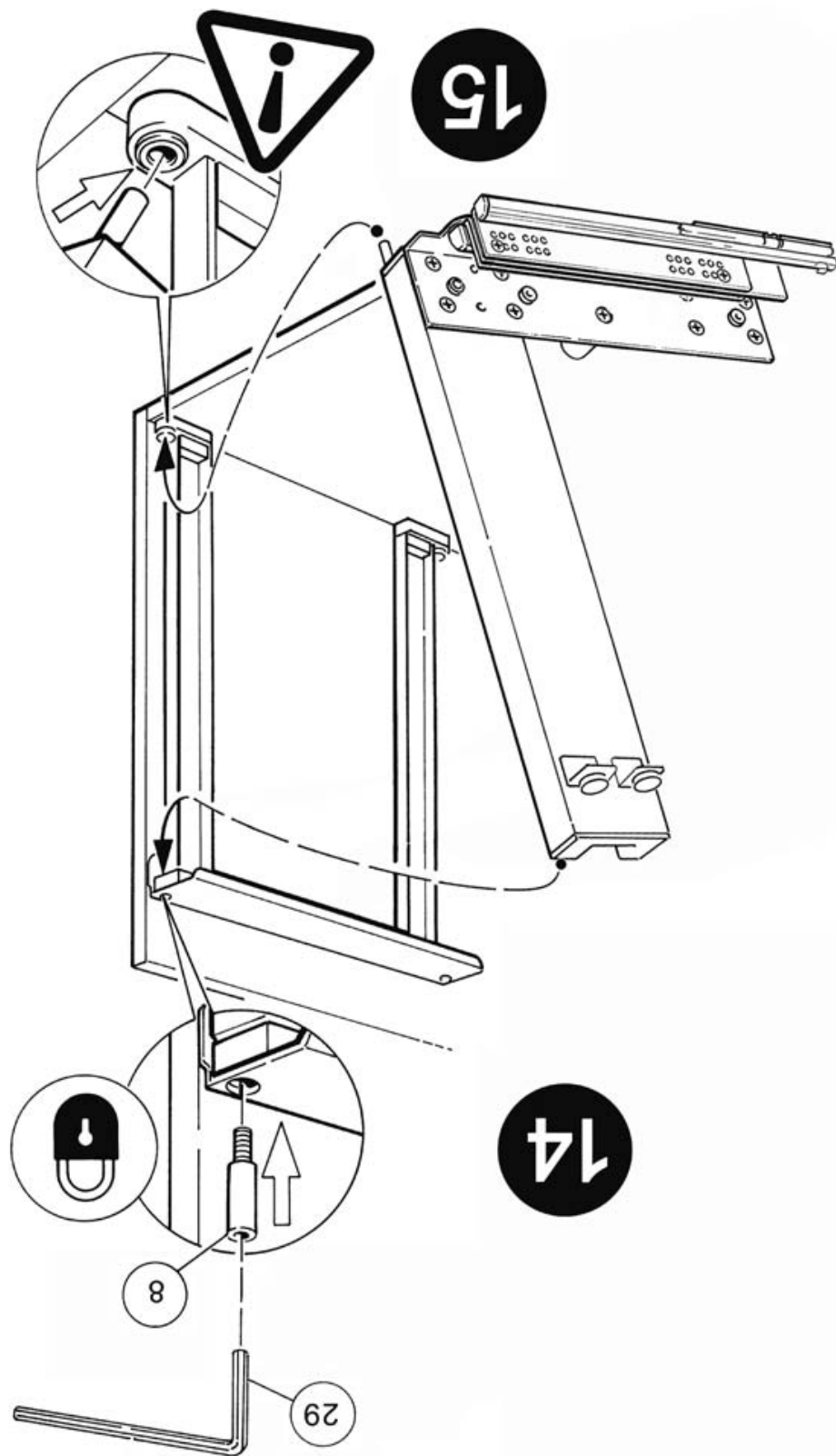




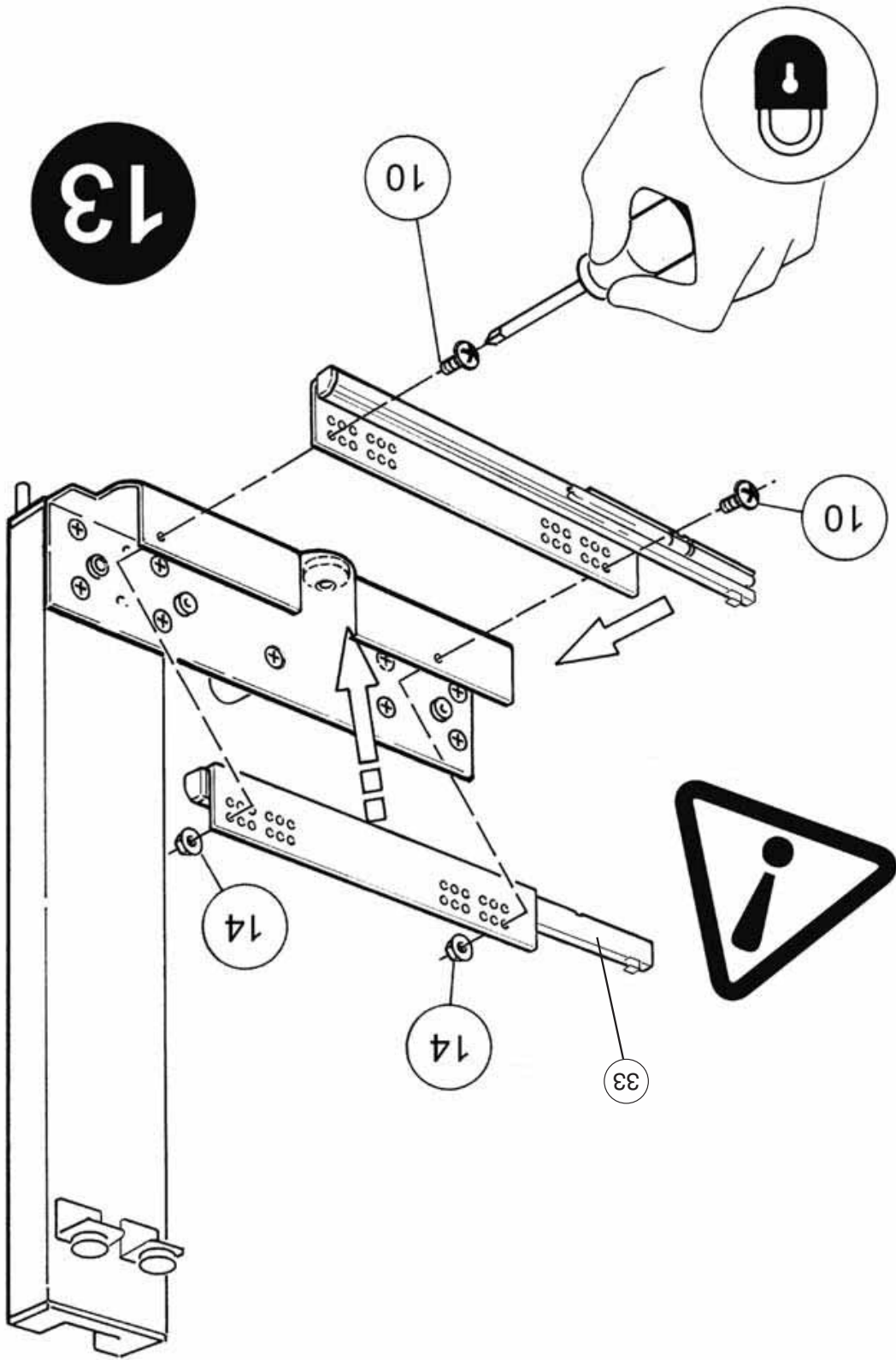


Connection/Attachment of "Nylon Roller" to "Slot" must be engaged completely so that the units pivots/operates correctly and Front and Rear Baskets don't Hit





13



10

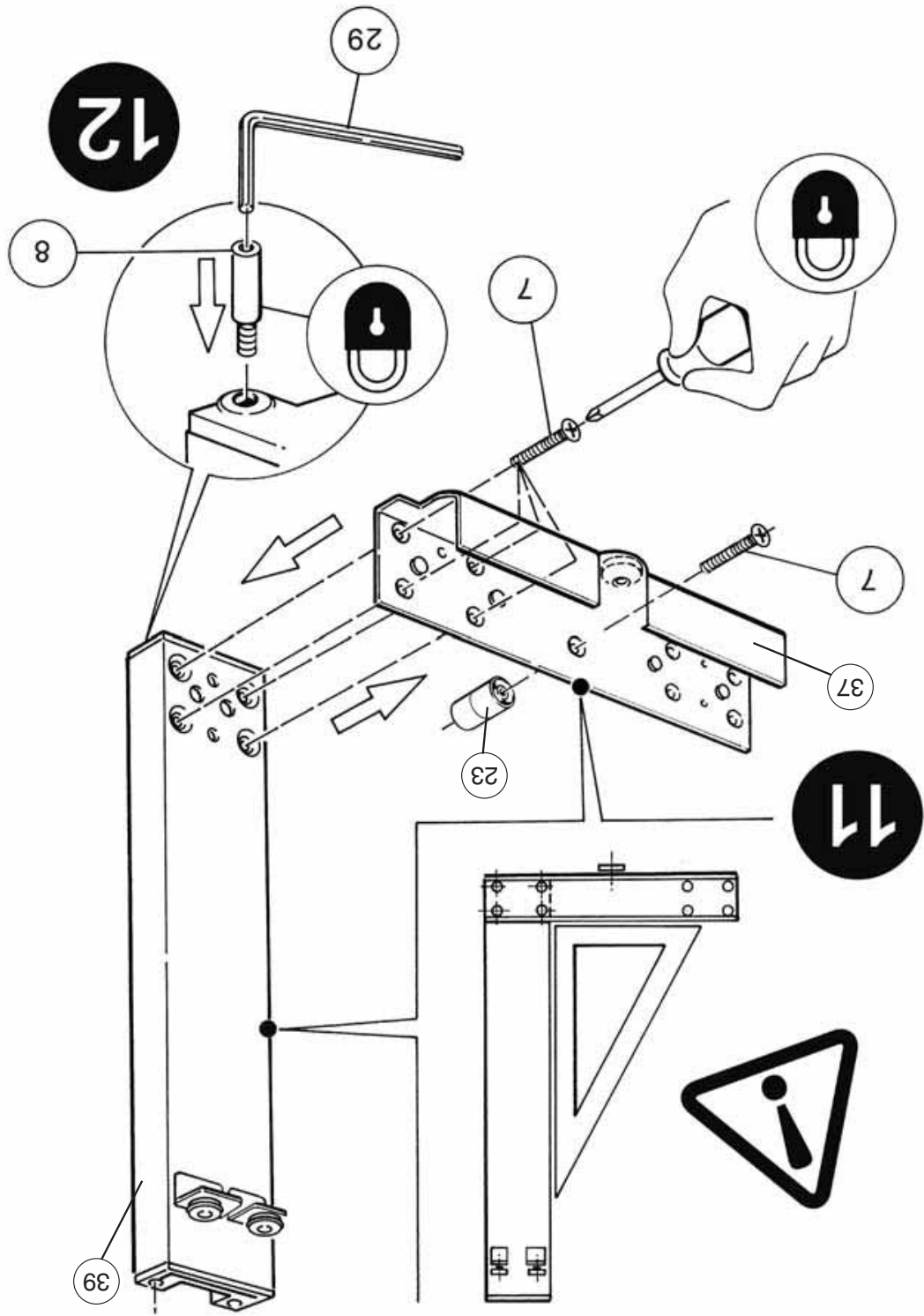
10

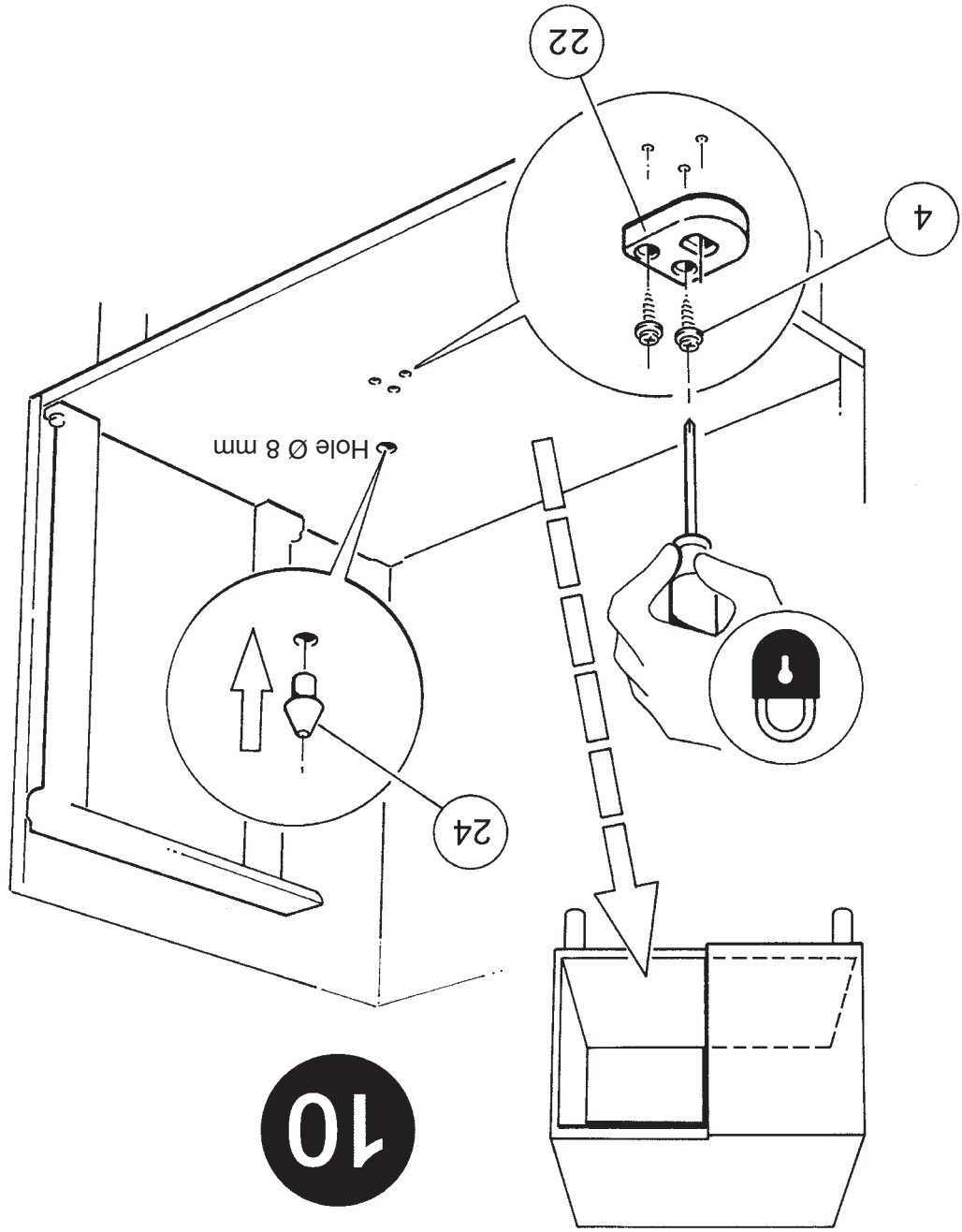
14

14

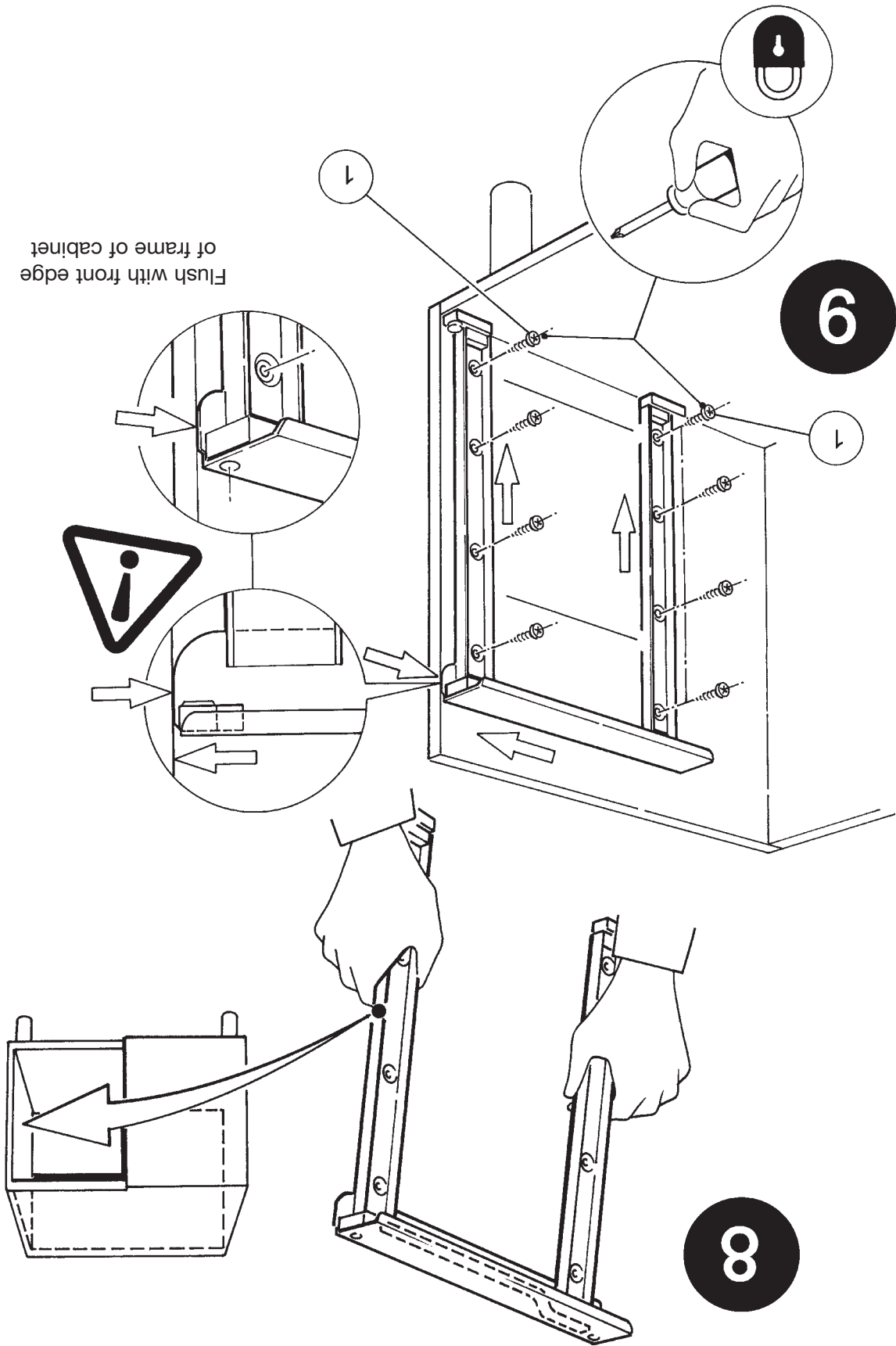
33





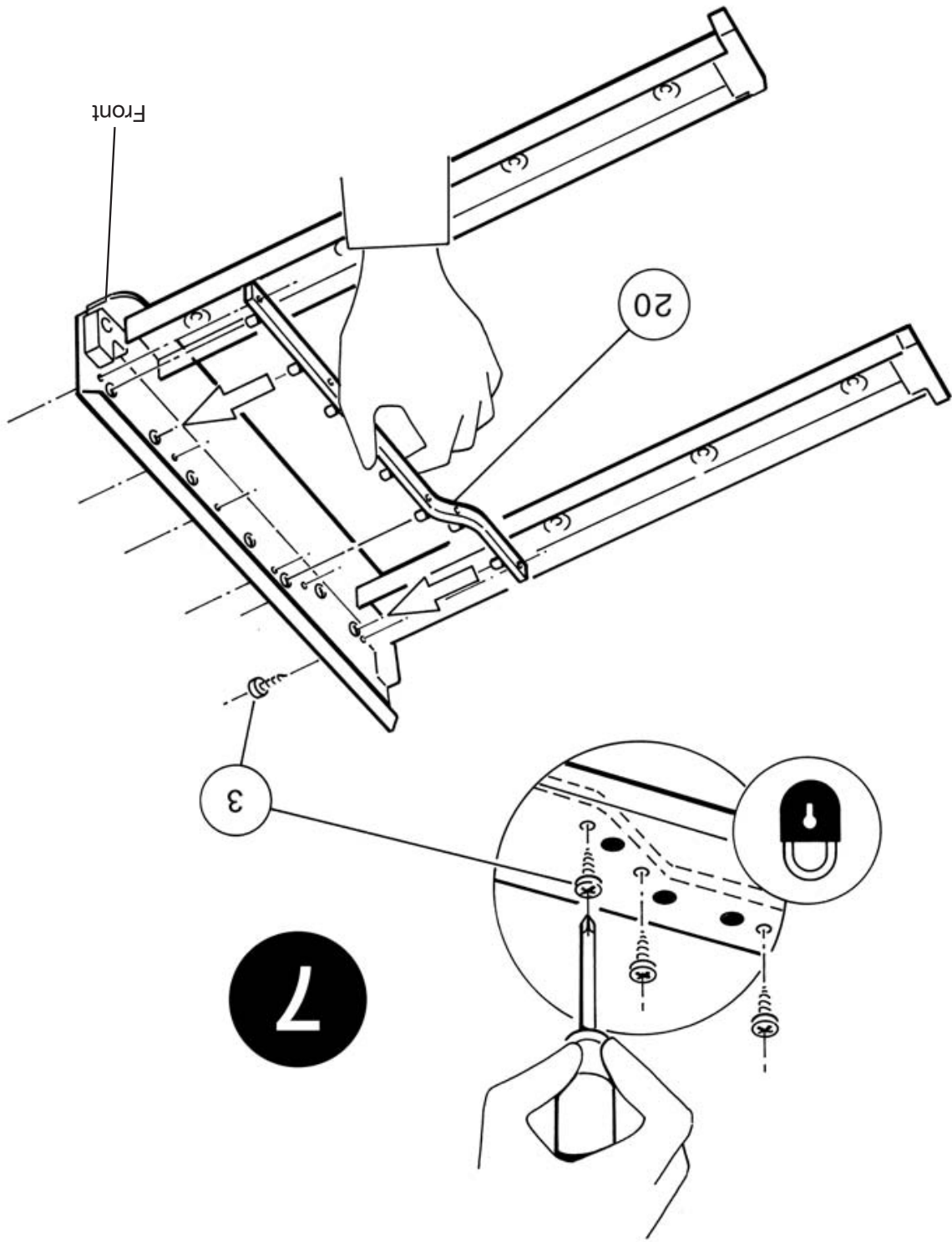


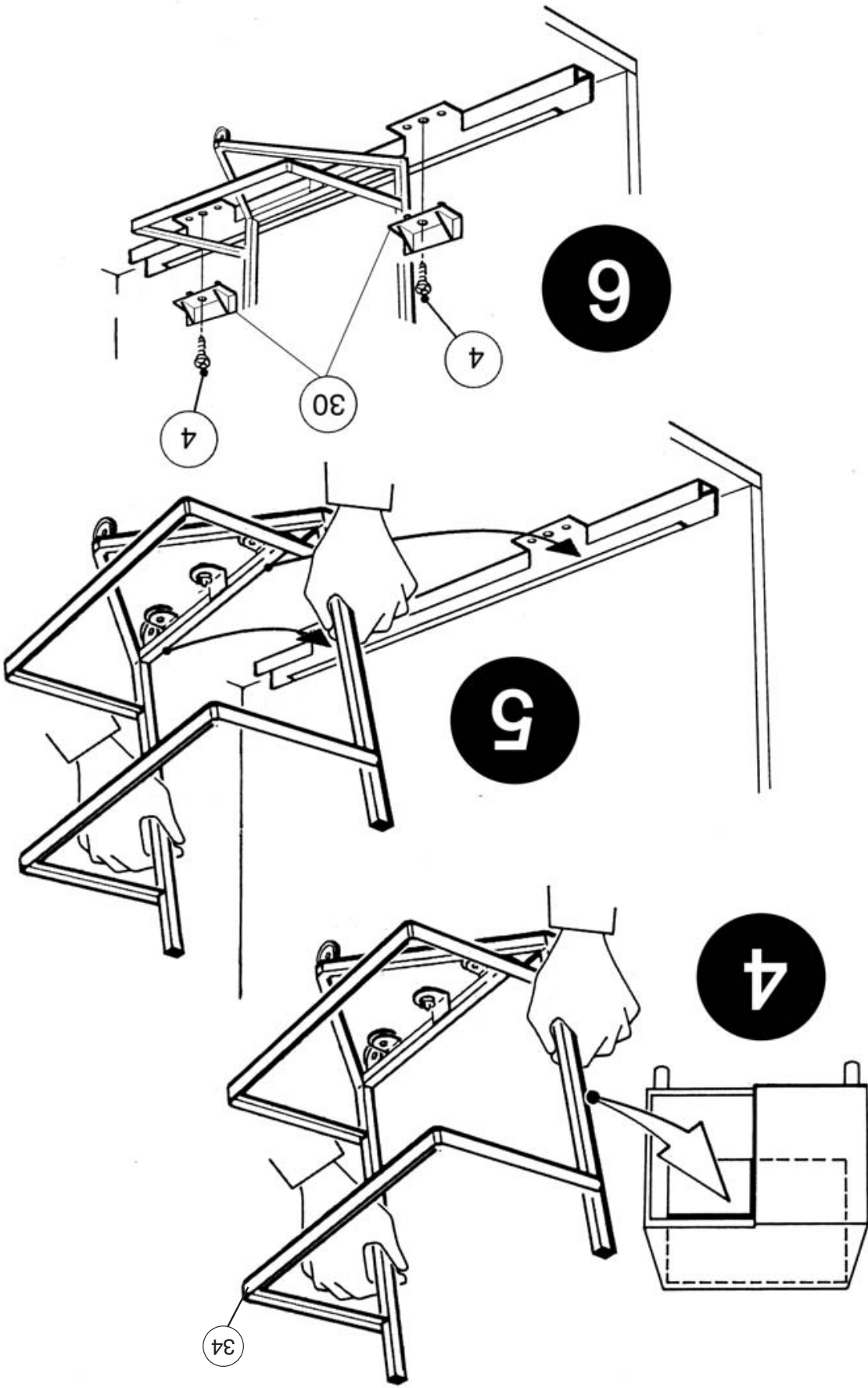
Flush with front edge
of frame of cabinet

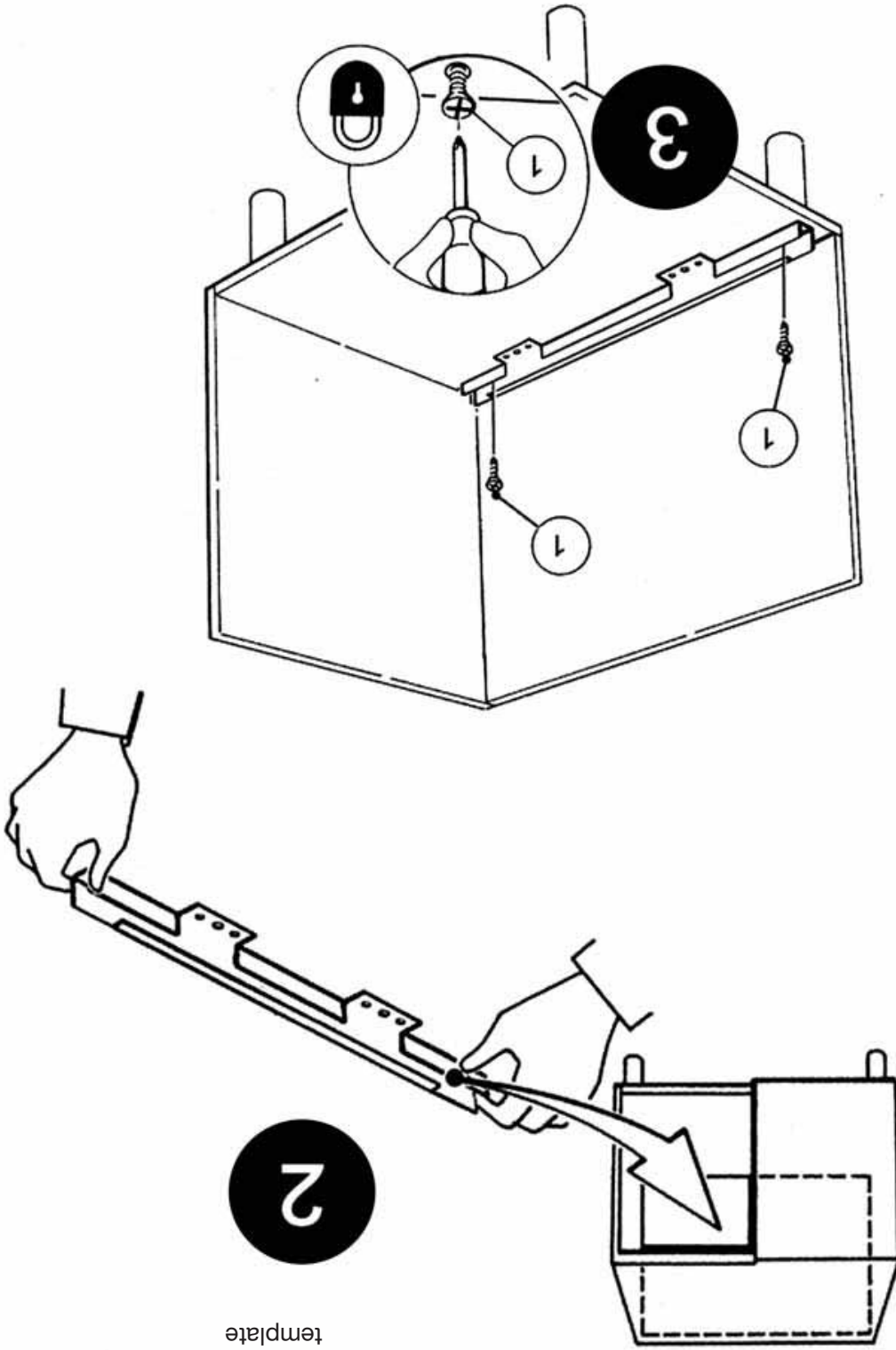


6

8

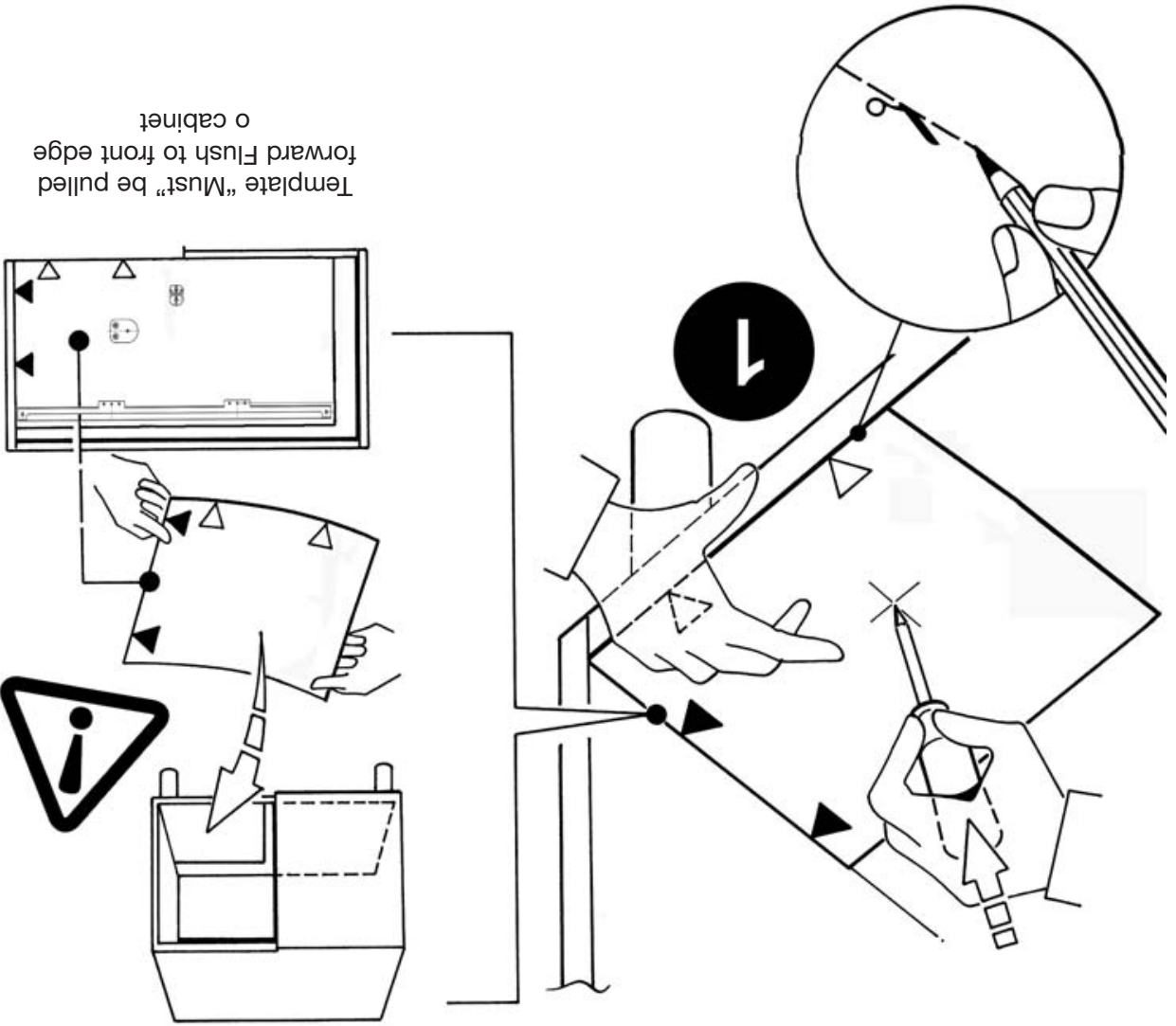






Install track to Floor of cabinet
using mounting locations from
template

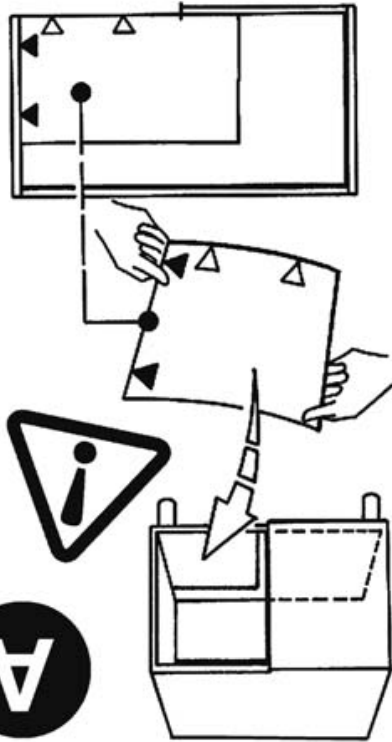
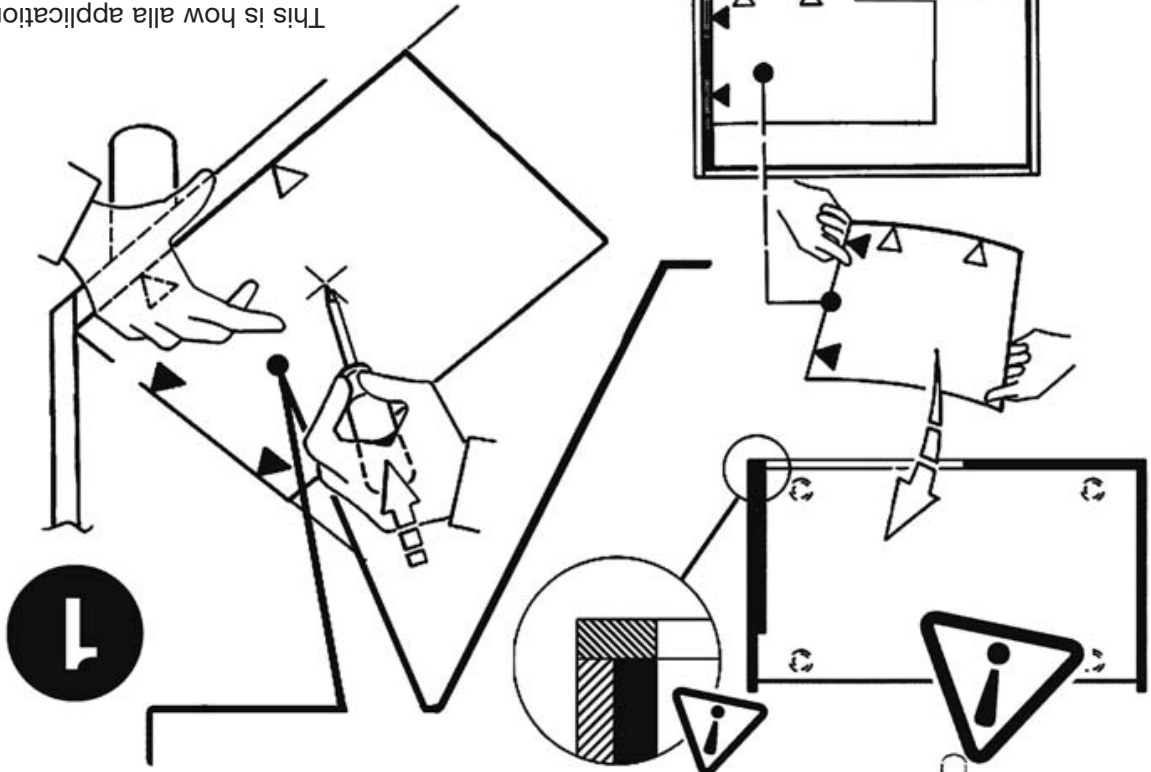
Cut the template
on the dotted line



Template "Must" be pulled
forward flush to front edge
of cabinet

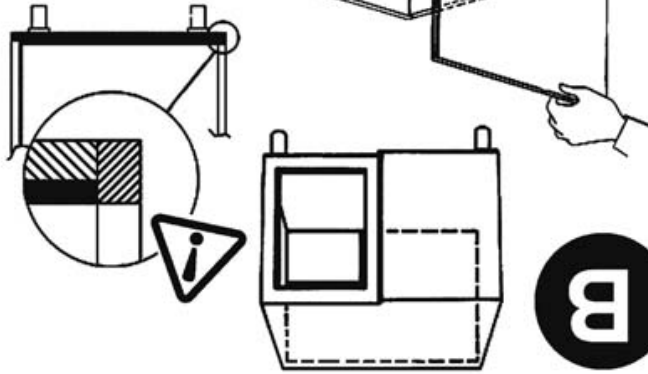
This is how all applications of
template should be show flush
to front edge of cabinet

Template may need to be notched to bring
forward flush to front edge of cabinet

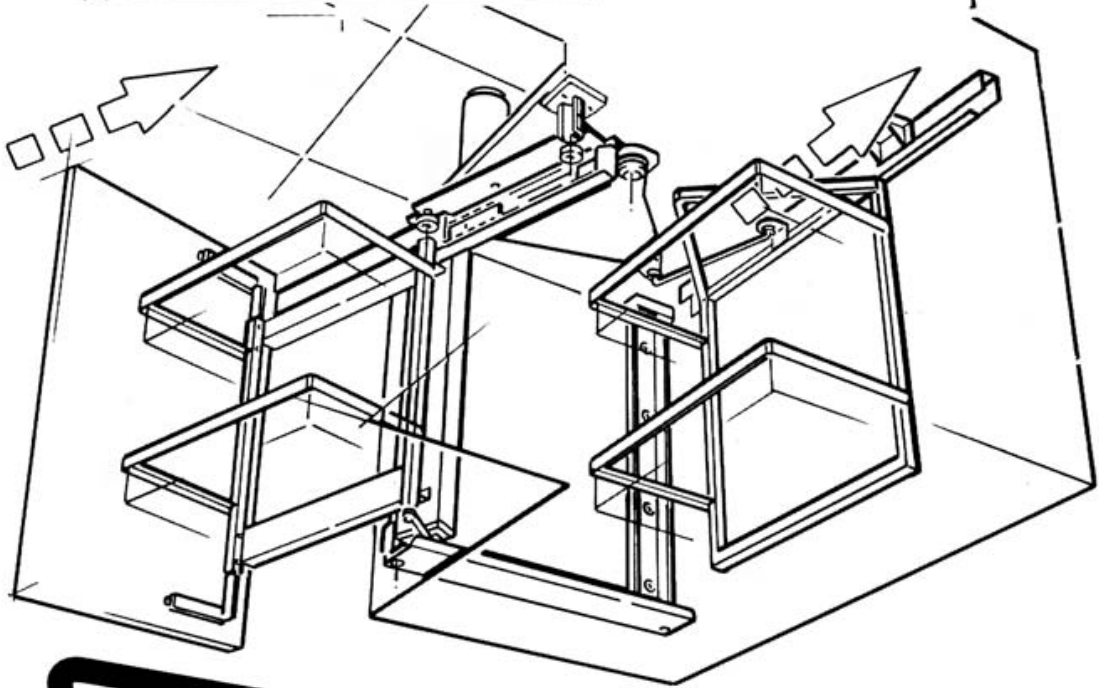
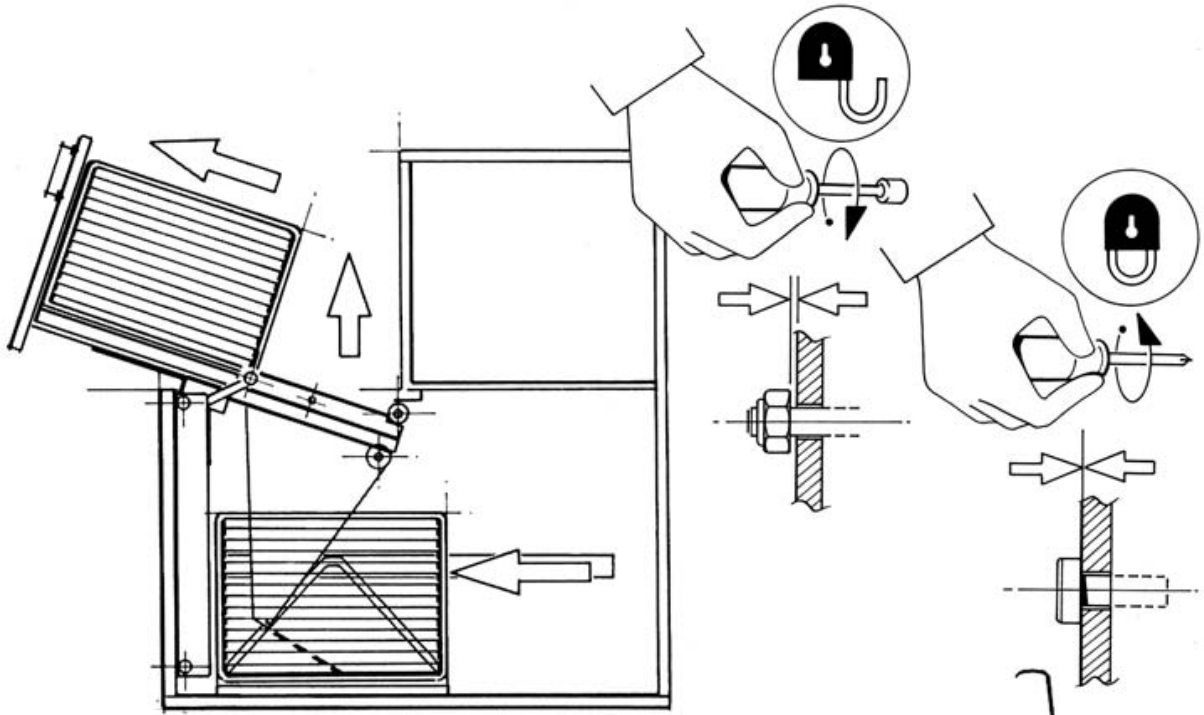


FRAME LESS

Spacers are
recommended
to bring the side
and bottom of your
"face frame cabinet"
flush for mounting



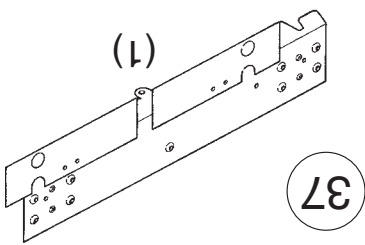
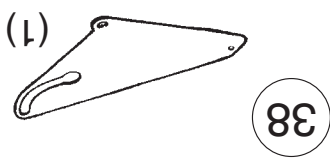
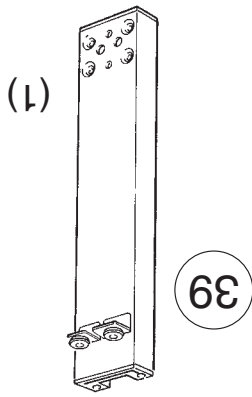
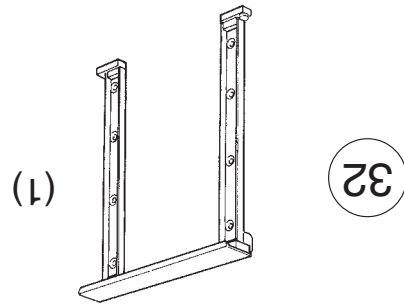
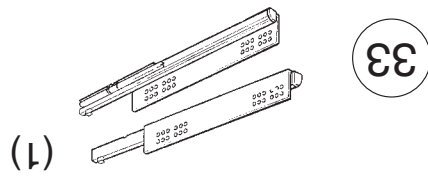
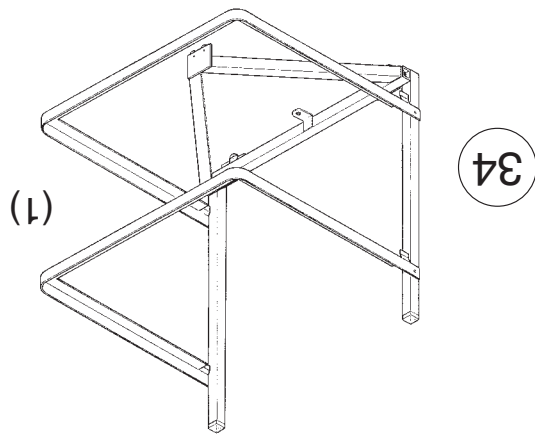
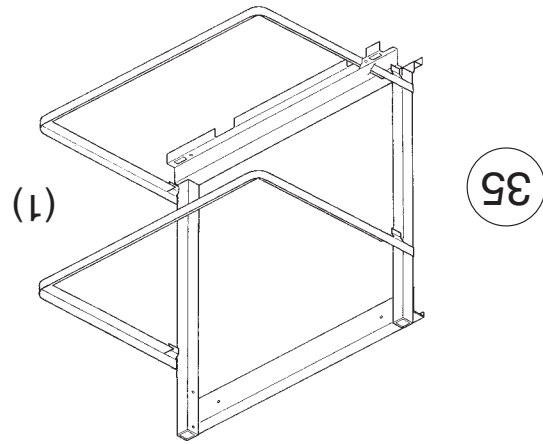
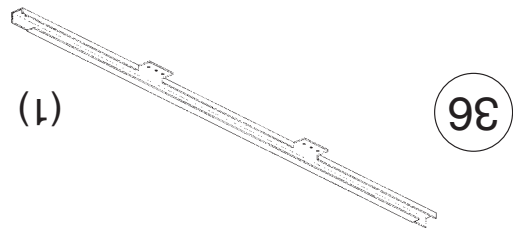
FACE FRAME

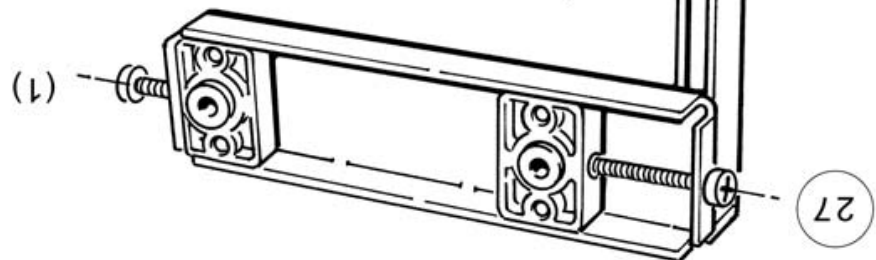
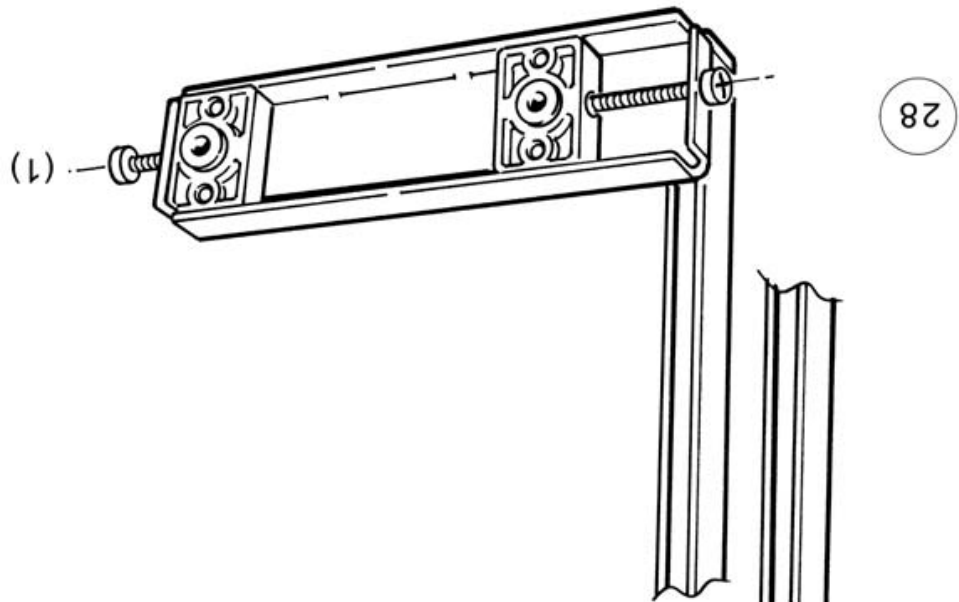
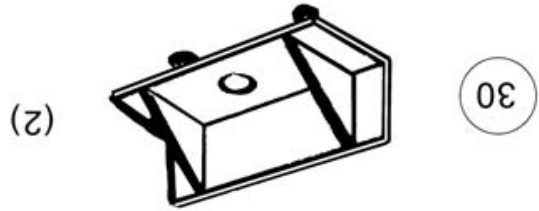
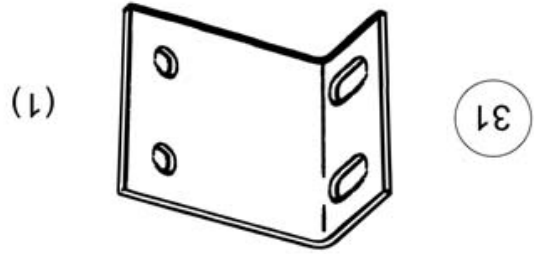


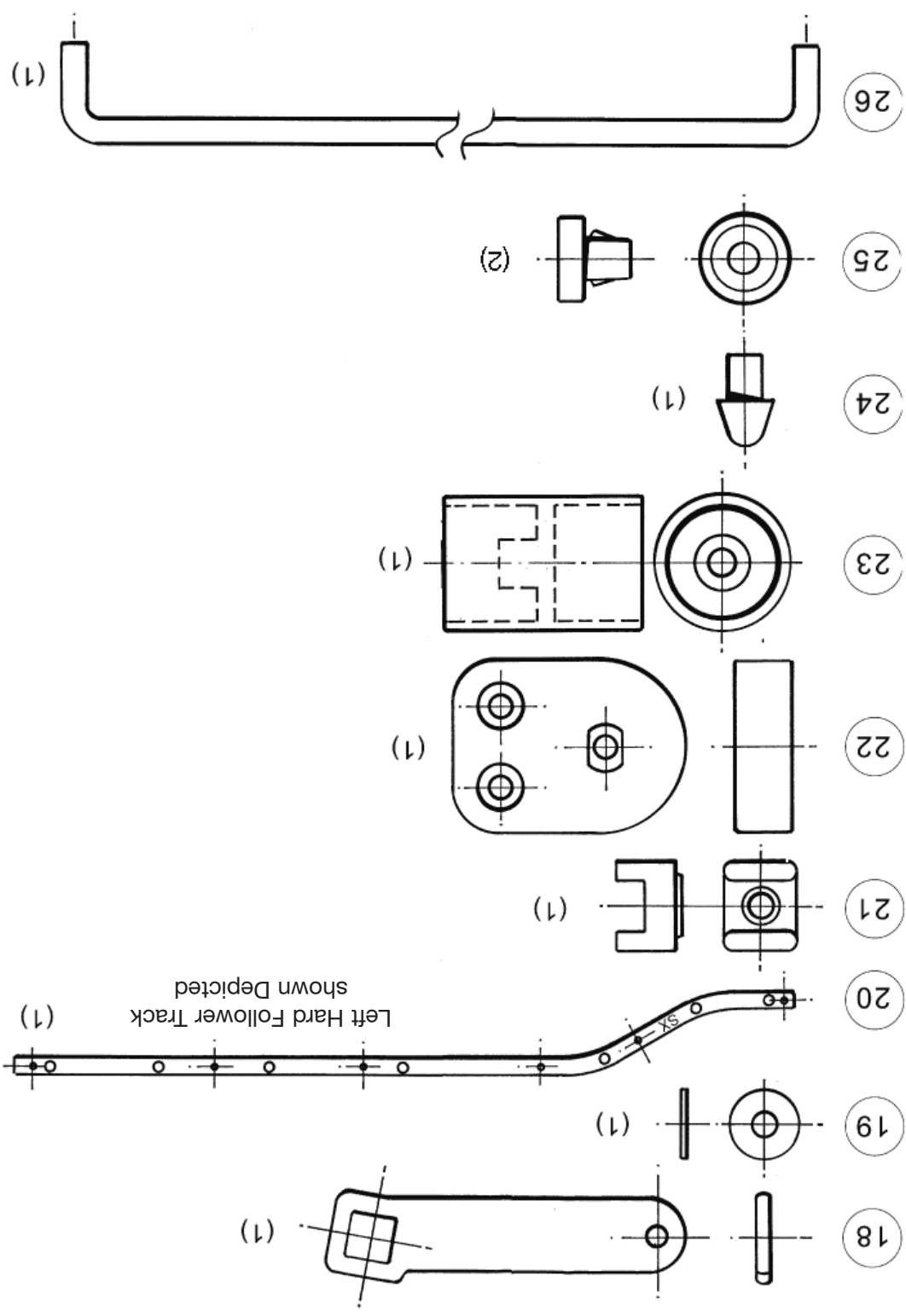
RIGHT VERSION

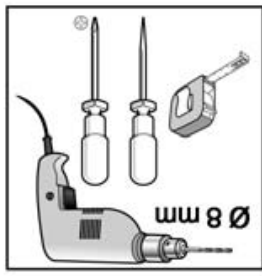
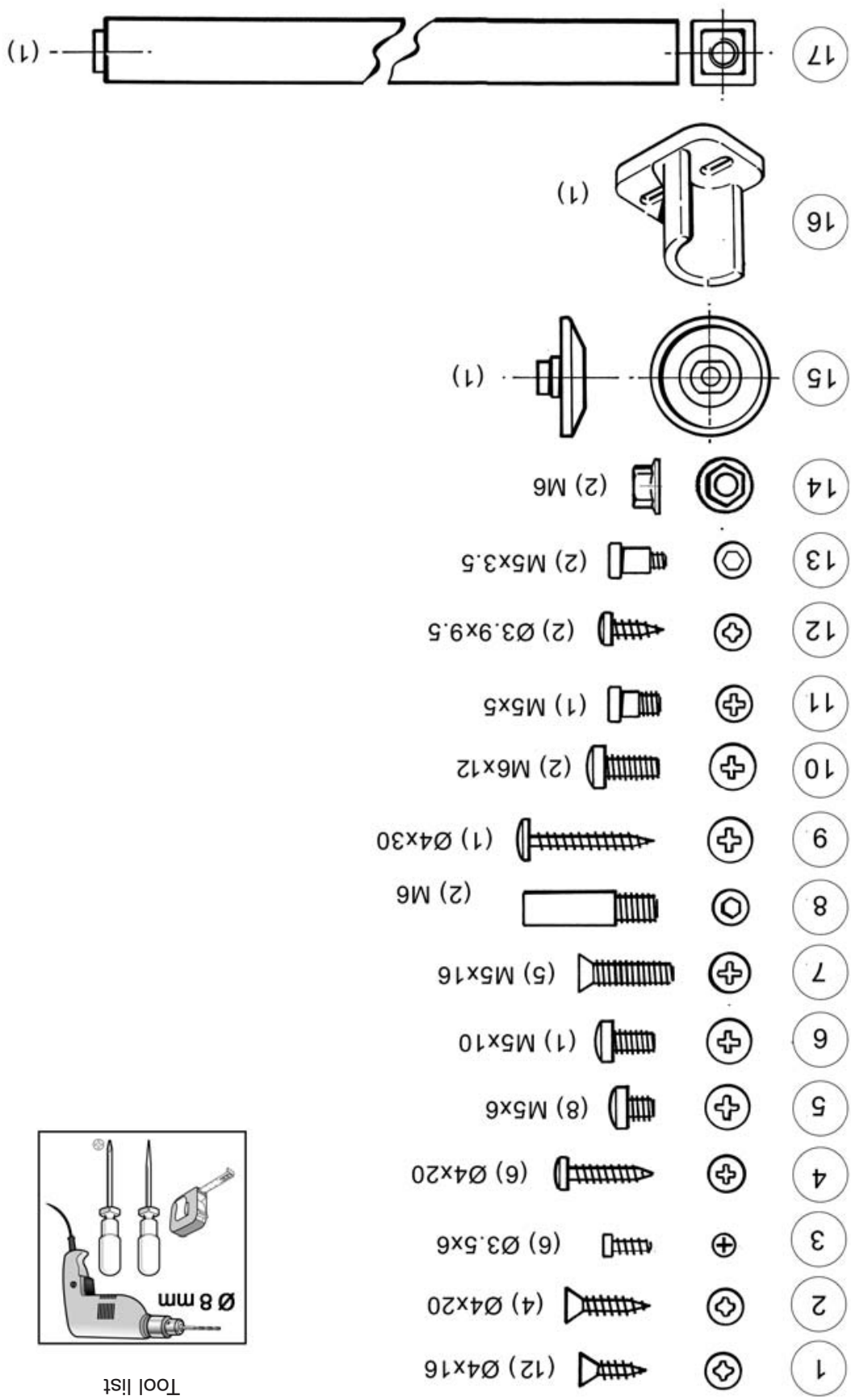


Left Hand Blind Corner Cabinet









Tool list

It's very IMPORTANT that the Installation
Instruction and Template are used to
assembled and install this product.
It's critical to installation that use of
Template and Placement of Template is
correct. If this is not done then problem
will occur with opening of the unit and
baskets hitting.





2409 Plantside Drive

Jeffersonton, Kentucky 40299

Phone: 1-800-626-1126 (toll free)

www.rev-a-shelf.com

COMPAGNUCCI®



WIRE PRODUCTS AND ENGINEERING

**DISASSEMBLED PULL-OUT
FOR RIGHT HAND CORNER#498**

Installation Instruction, RIGHT VERSION

Left Hand Blind Corner Cabinet