

4WP Series Installation Instructions



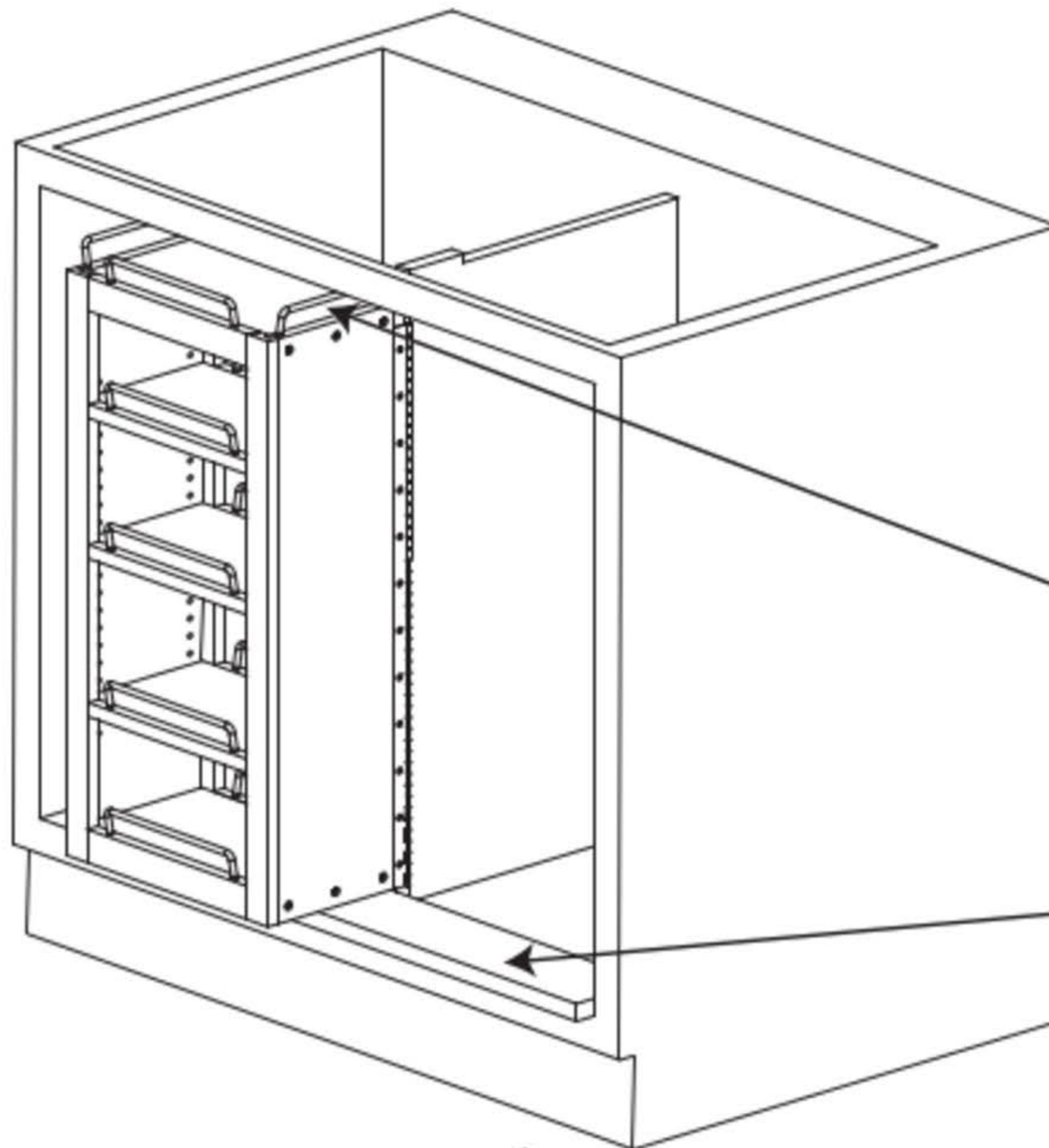
• Swing Out Unit (25" tall version shown)

Contents

- 1- Pantry Unit with Piano Hinge
- 1- Magnetic Catch and Strike Plate
- 4- Wire Fence pieces for top shelf (if needed)
- 8 - Wood plugs for top shelf (if wire fence is not used)
- 2- 1/4" spacers
- 1- Screw pack

Items needed for installation

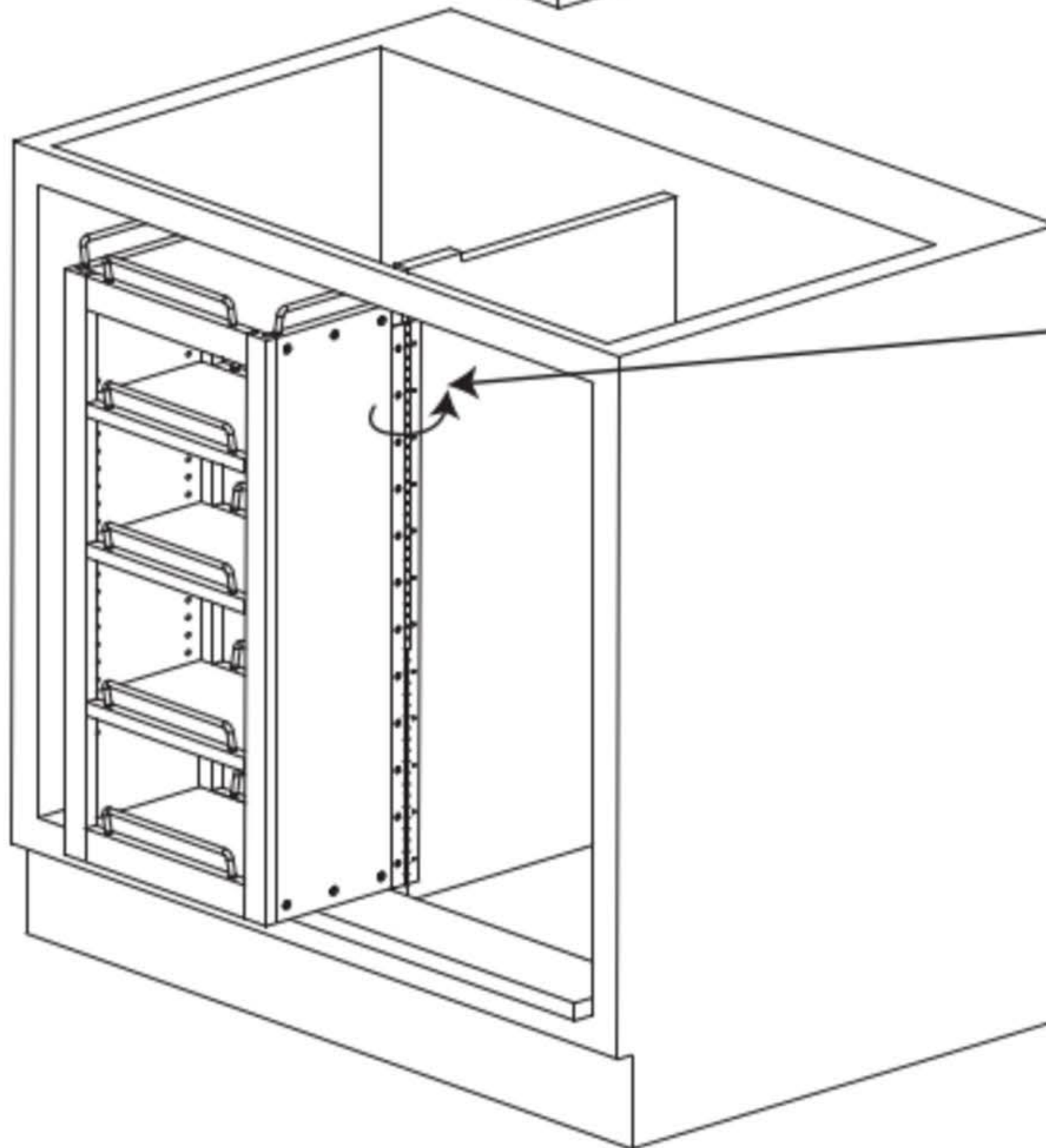
- Phillips Head Screw Driver
- 3/4" wood spacer



Note: If adequate clearance is available, install top shelf wire fencing. If clearance is not available install wood plugs into holes

Step 1. Set Swing Out unit in cabinet with 3/4" spacer underneath for floor clearance.

Note: For opposite-hand installation, remove pantry shelves and chrome rails from bottom shelf. Turn pantry unit over. Reinstall shelves and chrome rails.



Step 2. Swing Piano Hinge around to inside of cabinet where unit is to be installed.

Step 3. Place the 1/4" spacers between unit and center divider of cabinet. One at top and bottom of unit

Top View

