



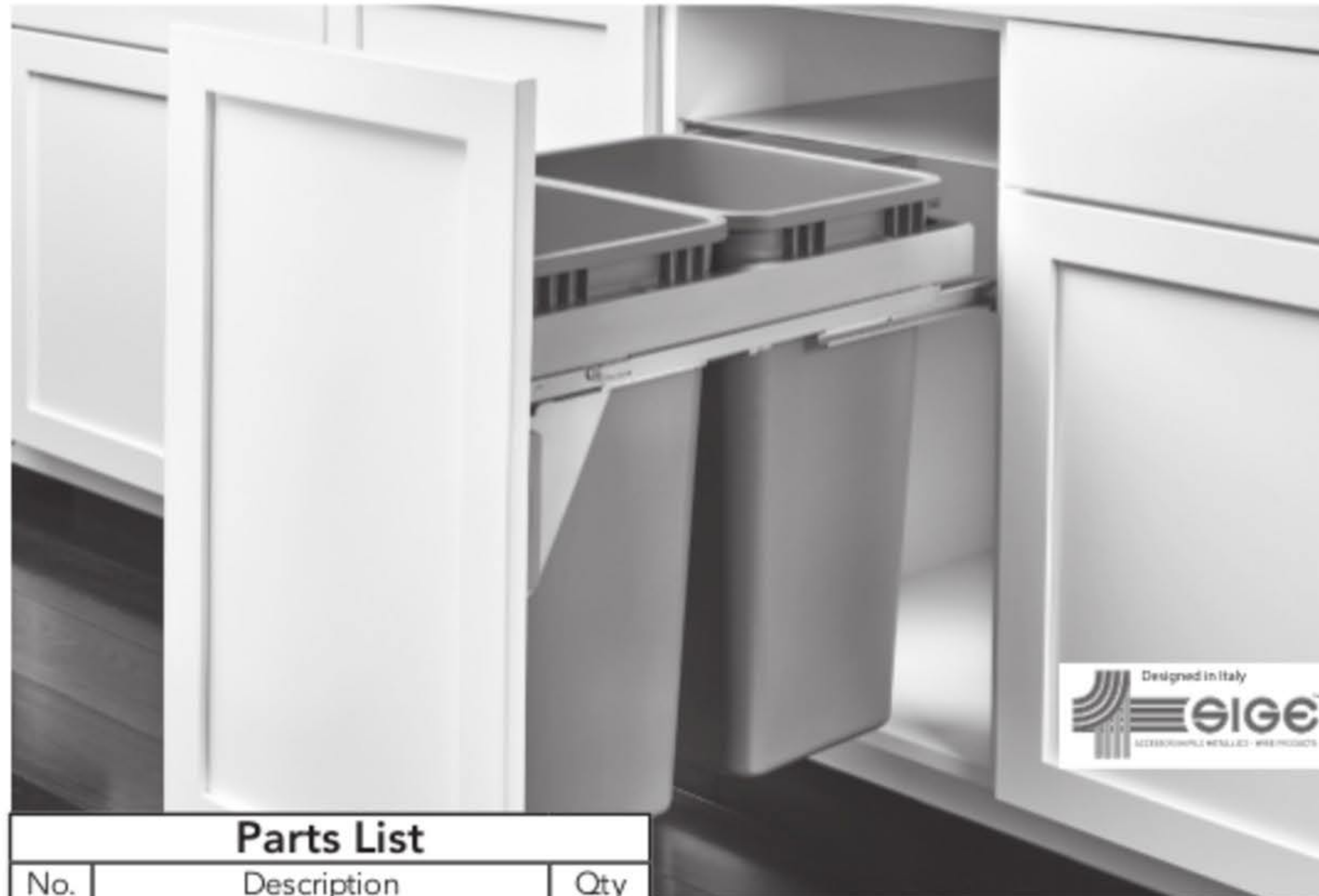
12400 Earl Jones Way
Louisville, KY 40299
rev-a-shelf.com
Customer Service: 800-626-1126



INSTALLATION INSTRUCTIONS

53TM SERIES STAINLESS STEEL TOP MOUNT WASTE CONTAINER

TOOLS REQUIRED:



Parts List

No.	Description	Qty
1	Metal Box	1
2	Lid	1
3	Slides	2
4	Slide Covers	2
5	Lid Holders	2
6	Door Mounting Brackets	2
7	Door Mounting Covers	2
8	Plugs	4
9	Waste Bins	2
10	#8x1/2" Pan Head Screws	12
11	#8x5/8" Flathead Screws	8
12	M4x5 Machine Screws	4
13	#6x1/2" Flathead Screws	6
14	1/4-28x1/2" Machine Screws	2

ESTIMATED ASSEMBLY TIME:

45 MIN

CARE AND MAINTENANCE:

Clean with a damp cloth and wipe parts dry.

