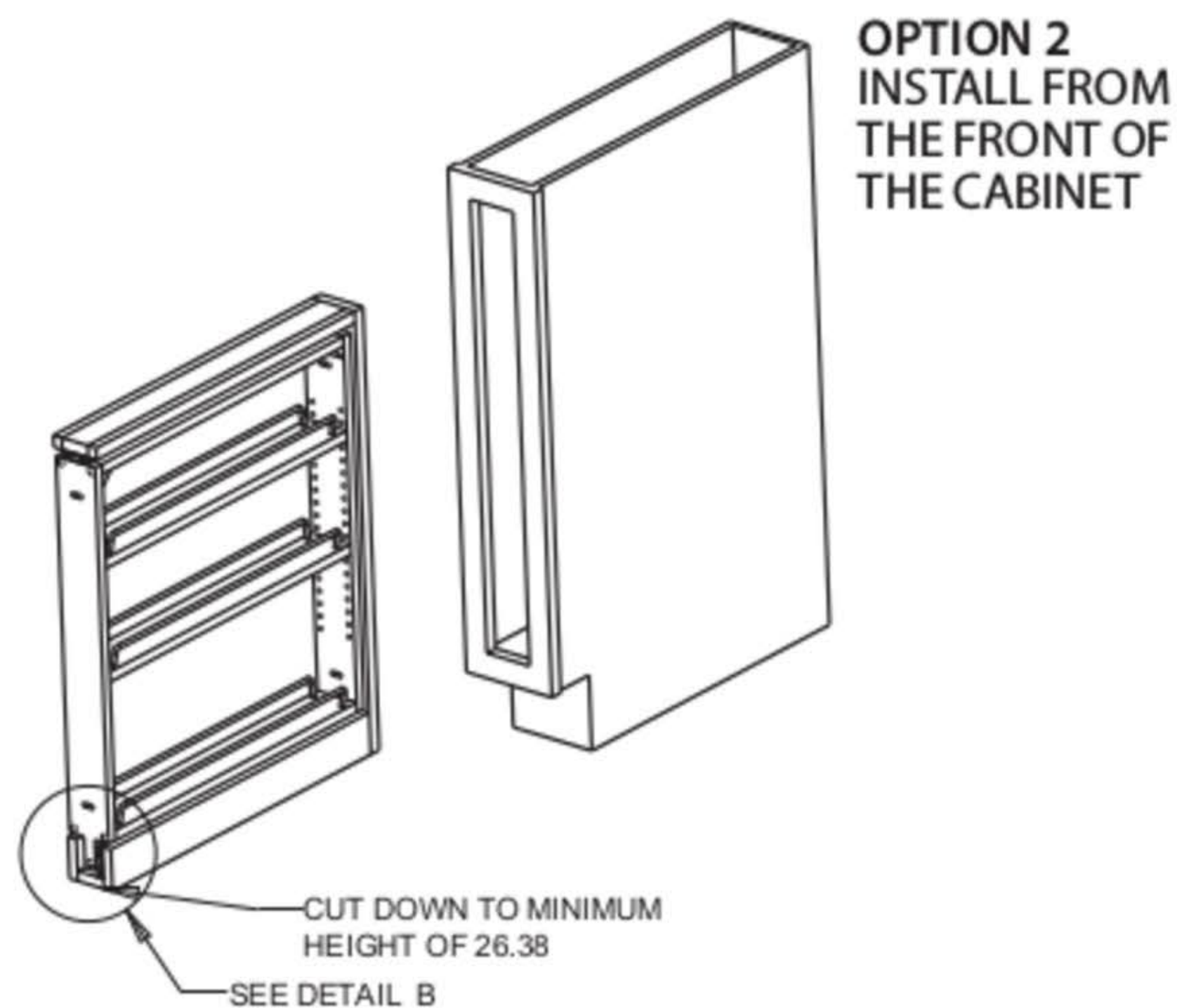
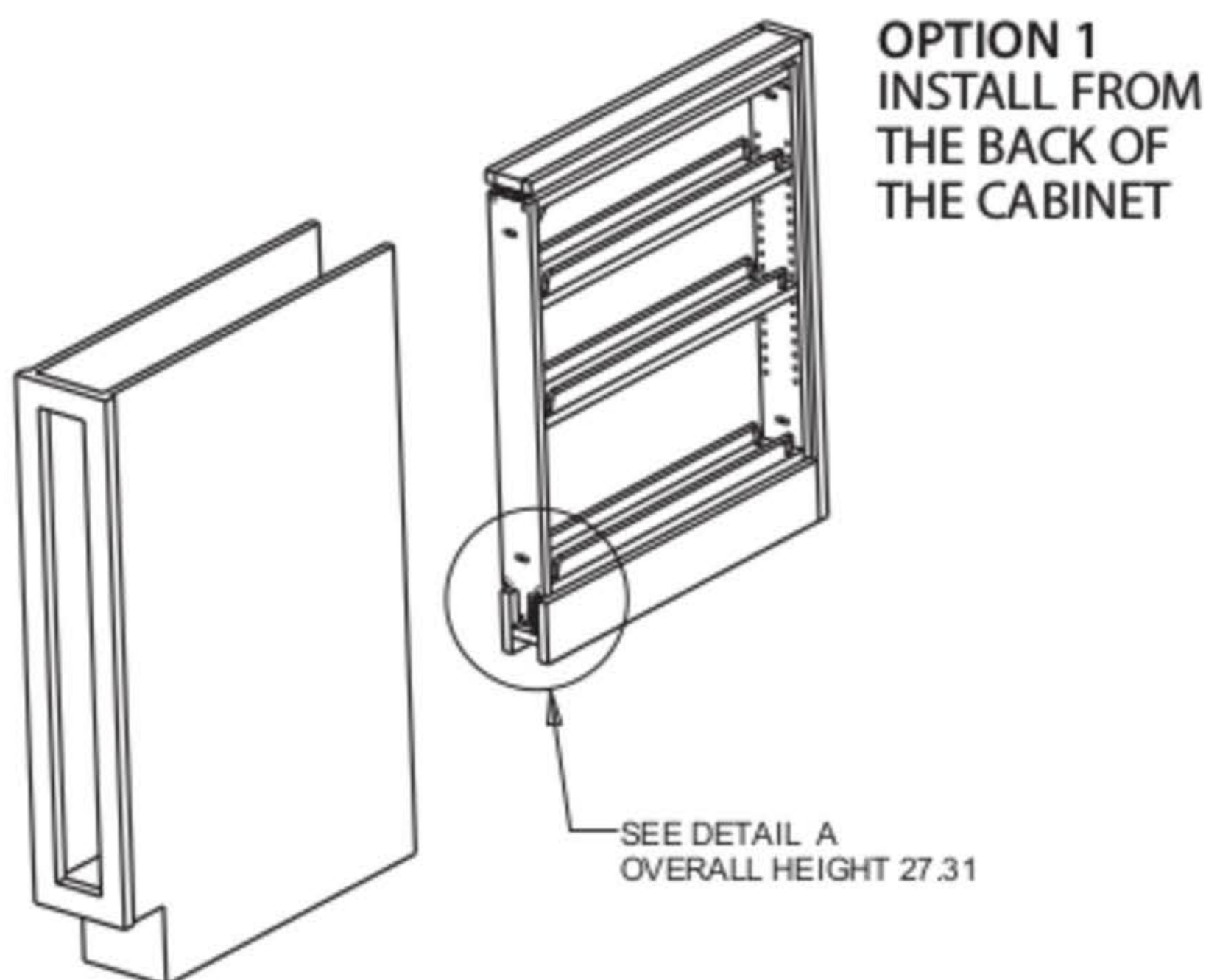
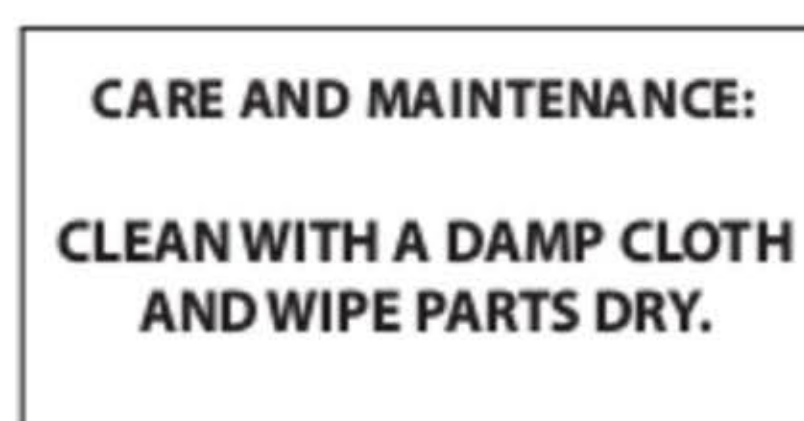




(800) 626-1126
www.rev-a-shelf.com

INSTALLATION INSTRUCTIONS

438 Base Cabinet Filler



DETAIL A

1) To install in from the back of the cabinet, first remove the wood shipping strap from the front of the unit, slide unit in thru the back of the cabinet and center it. Screw to the top and bottom. Depending on the Height of your cabinet a spacer may need to be made to fit the gap between the top of the cabinet and the top of the filler.



DETAIL B

1) To install the filler into a face frame cabinet you will need to cut material off of the bottom of the unit. (See detail A&B below) cut to your desired height depending on your opening to be inserted through the face frame and into the cabinet.

2) Center unit inside the cabinet (hint: you may want to cut 2 blocks, 1 on each side of rear inside of the cabinet to help hold the filler centered) and screw to the top and bottom. You will need to make a spacer to fill the space between the top of inside the cabinet and filler. Remove the wood shipping strap from the front of the unit.

