

Please go to **www. quozel. com** for product cleaning tips. Go to the **Care + Maintenance** selection.

**Tools Required:** Flathead screwdriver, Phillips screwdriver, pliers, wire cutters, wire strippers, electrical tape, safety glasses.

**Light Source:** (12) Candelabra Base Bulbs 60W Maximum

**Estimated Assembly Time:** 30-45 minutes

**Preparation:** Identify and inspect all parts before beginning installation. Check package content list and diagrams below to be sure all parts are present. If any parts are missing or damaged, do not attempt to assemble, install, or operate the fixture. Contact customer service for replacement parts.



### Warnings and Cautions

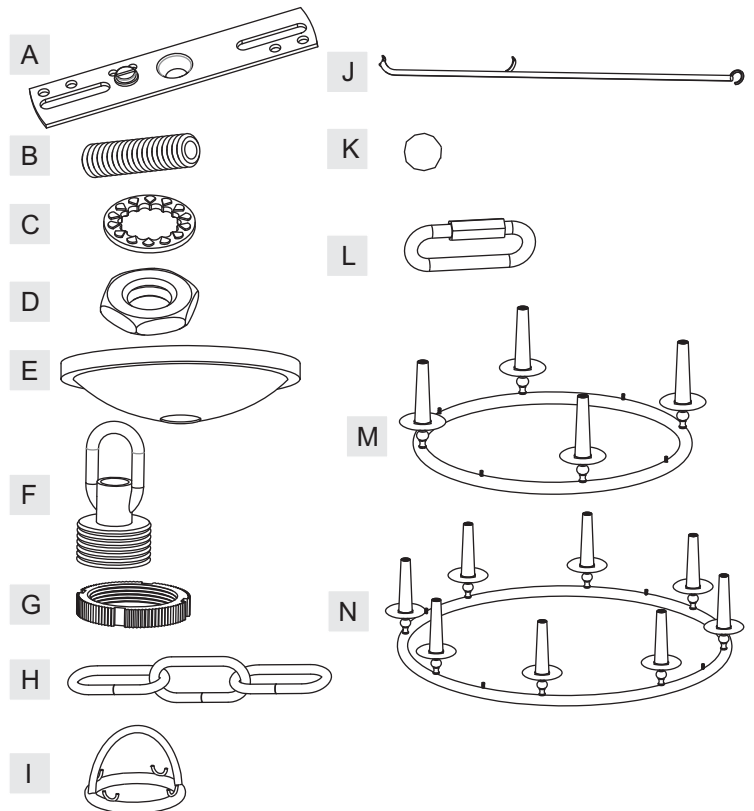
Turn off electricity at circuit breaker or main fuse box before installation. Consult a licensed electrician if in doubt.

These instructions are provided for your safety. It is very important you read them completely before installing the fixture. We strongly recommend that a licensed, professional electrician perform the installation.

Disconnect fixture from power source before replacing bulbs. Make sure bulbs are given sufficient time to cool before removal.

### Package Contents

Part	Description	Quantity
A	Crossbar	1 pc.
B	Nipple	1 pc.
C	Lock Washer	2 pcs.
D	Hex Nut	2 pcs.
E	Ceiling Canopy	1 pc.
F	Canopy Chain Loop	1 pc.
G	Canopy Lock Ring	1 pc.
H	Fixture Chain	1 pc.
I	Fixture Loop	1 pc.
J	Side Arm	4 pcs.
K	Lock Ball	8 pcs.
L	Quick Link	2 pcs.
M	Four Lights Assembly	1 pc.
N	Eight Lights Assembly	1 pc.



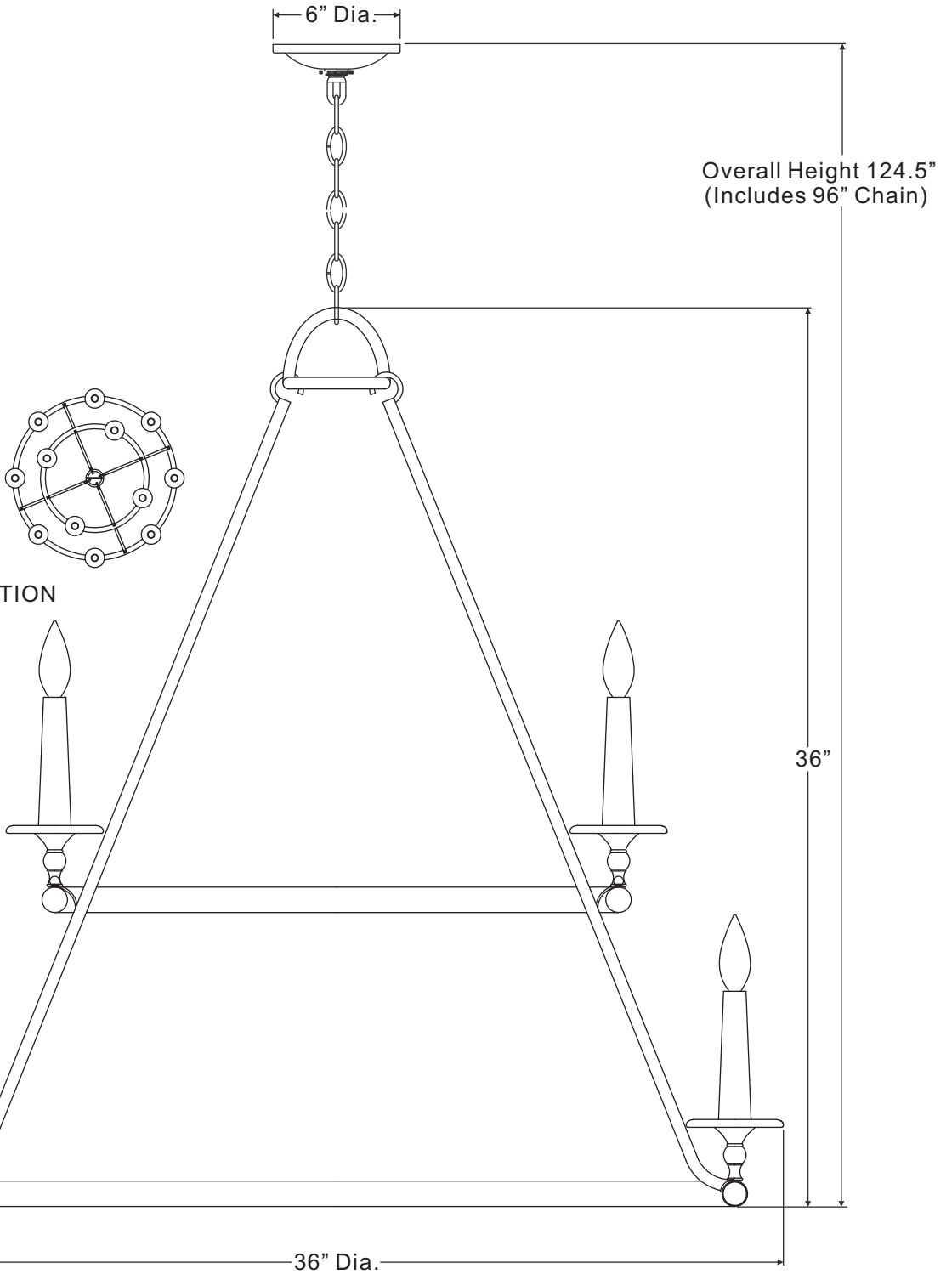
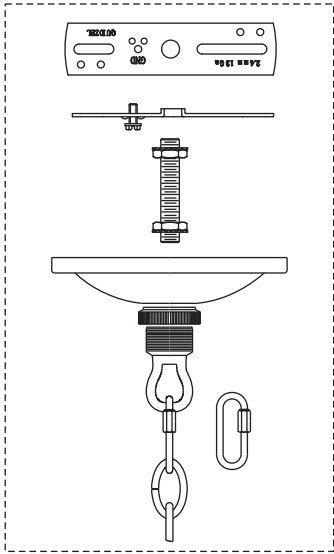
**Thank you for purchasing a Quoizel product.**

**Need assistance with parts or assembly? Call Quoizel customer service at 1-800-645-3184 or visit us on-line at www. quozel. com**

VYR5012BN

FINISH: BRUSHED NICKEL

NOTE: ALL DIMENSIONS ARE ROUNDED UP TO THE NEAREST 1/4"



NOTE: FOUR LIGHTS SHOWN FOR ILLUSTRATION PURPOSES ONLY.

Thank you for purchasing a Quoizel product.  
Need assistance with parts or assembly? Call Quoizel customer service at 1-800-645-3184  
or visit us on-line at [www.quoise.com](http://www.quoise.com)

**STEP 1 – Install Side Arms to Eight Lights Assembly**

- A. Attach the Tabs at the ends of the Side Arms (J) to the ring of the Eight Lights Assembly (N). Pass the holes at the Tabs over the Bolts on the Ring. Secure by threading Lock Balls (K) onto the Bolts. Hand tighten until snug.

Notes: please pay attention to the fixture that there are some alphabet on the fixture for you easily to assemble, please assemble them as A---A1---A2, B--B1--B2 accordingly.  
 bottom tier: A, B, C  
 second tier: A1, B1, C1  
 top: A2, B2, C2  
 When the work is done, please remove the stickers.

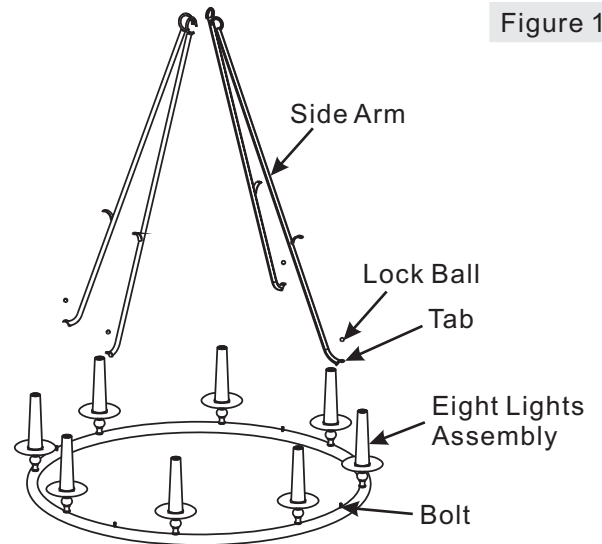


Figure 1

**STEP 2 – Install Four Lights Assembly**

- A. Place the Four Lights Assembly (M) over the top ends of Side Arms (J). Pass Bolts on the Ring through the Tabs in the middle of the Side Arms (J) from the bottom of the Tabs. Secure by threading Lock Balls (K) onto the Bolts on the Four Lights Assembly (M). Hand tighten until snug.

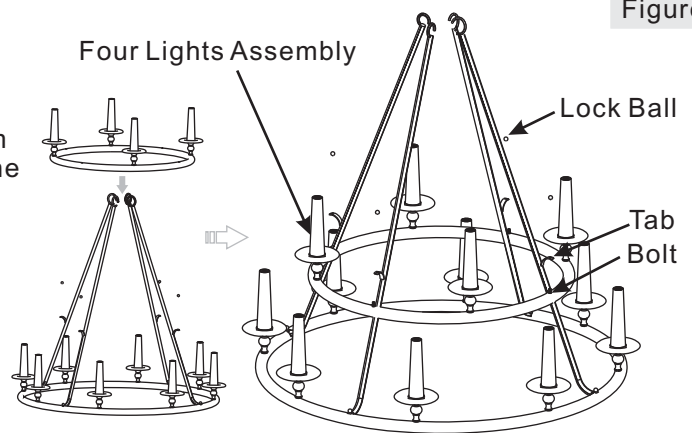


Figure 2

**STEP 3 – Install Fixture Loop**

- A. Attach the Hooks on the top ends of Side Arms (J) to the Hook Holders on the Fixture Loop (I).

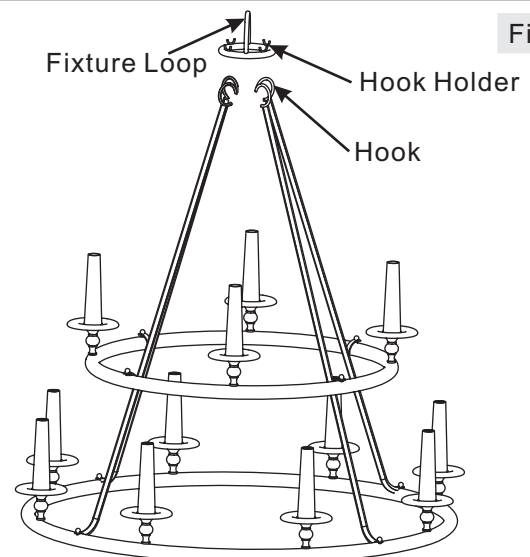


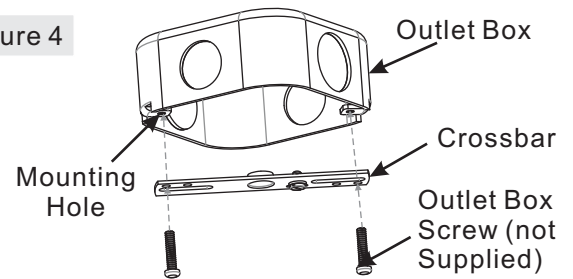
Figure 3

**Thank you for purchasing a Quoizel product.**  
**Need assistance with parts or assembly? Call Quoizel customer service at 1-800-645-3184**  
**or visit us on-line at [www. quozel. com](http://www. quozel. com)**

#### STEP 4 – Attach Crossbar to Outlet Box

- A. Secure the Crossbar (A) to the outlet box with outlet box screws (not supplied). Tighten until snug.

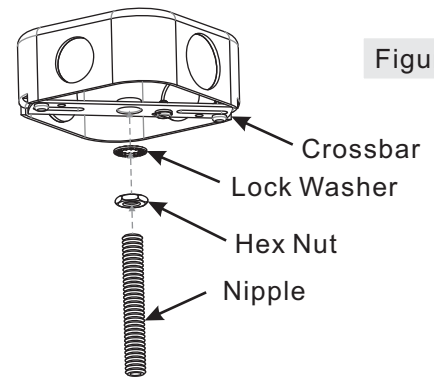
Figure 4



#### STEP 5 – Attach Nipple to Crossbar

- A. Thread one Hex Nut (D) onto the top end of the Nipple (B).  
B. Place one Lock Washer (C) over the top end of the Nipple (B) and then thread the Nipple (B) into the center lock hole of the Crossbar (A).  
C. Using pliers, thread the hex Nut (D) against the Crossbar (A) and hand tighten until snug.

Figure 5



#### STEP 6 – Attach Canopy Chain Loop to Nipple

- A. Thread another Hex Nut (D) onto the end of the Nipple (B).  
B. Place the Lock Washer (C) over the end of the Nipple (B) and then thread the Canopy Chain Loop (F) onto the end of the Nipple (B).  
C. Using pliers, thread the Hex Nut (D) against the Canopy Chain Loop (F) and hand tighten until snug.

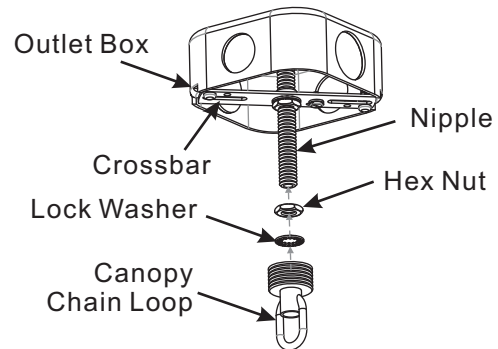


Figure 6

#### STEP 7 – Assemble Ceiling Canopy

- A. Push the Ceiling Canopy (E) upward over the Outlet Box. Thread the Canopy Lock Ring (G) onto the Canopy Chain Loop (F) and tighten until snug to secure the Ceiling Canopy (E).

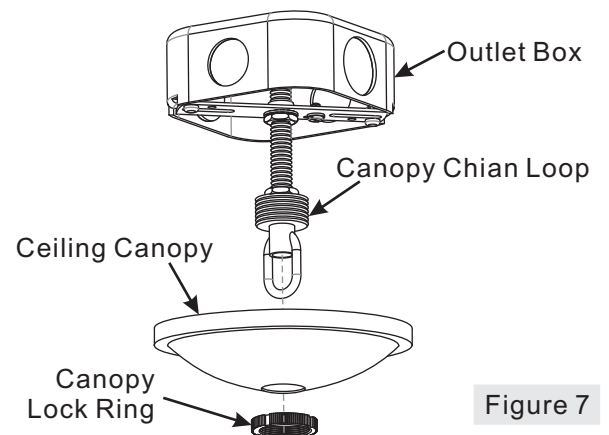
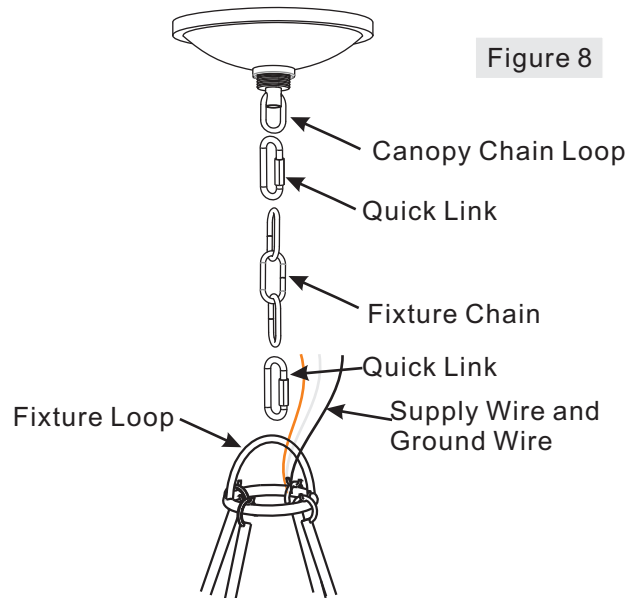


Figure 7

Thank you for purchasing a Quozel product.  
Need assistance with parts or assembly? Call Quozel customer service at 1-800-645-3184  
or visit us on-line at [www. quozel. com](http://www. quozel. com)

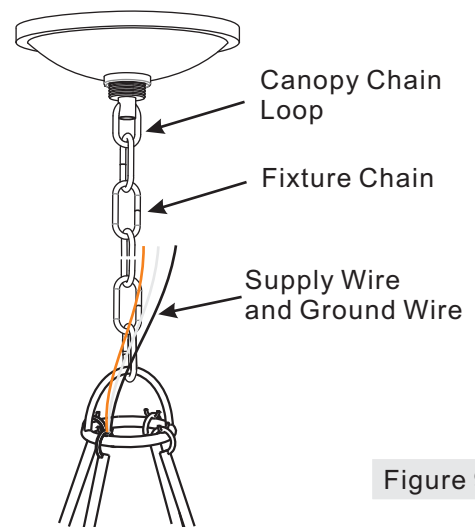
### STEP 8 – Install Fixture Chain

- A. Adjust the Fixture Chain (H) to your desired length by removing the links if needed. You may need to use plier to open the chain links. If so, put a cloth over the chain to protect the finish from the pliers.
- B. Attach one end of the Fixture Chain (H) onto the Canopy Chain Loop (F) with one Quick Link (L) and then attach the other end of the Fixture Chain (H) onto the Fixture Loop (I) with the Quick Link (L).



### STEP 9 – Pass Supply Wires through Fixture Chain

- A. Pull the Supply Wires and Ground Wire up through the Fixture Chain (H) alternating links. Push the wires up through the Canopy Chain Loop (F) into the outlet box.



Thank you for purchasing a Quozel product.  
Need assistance with parts or assembly? Call Quozel customer service at 1-800-645-3184  
or visit us on-line at [www. quozel. com](http://www. quozel. com)

**STEP 10 – Make Wire Connections**

- A. Un-thread the Canopy Lock Ring (G) and slide Canopy Lock Ring (G) and Ceiling Canopy (E) down the Fixture Chain (H).
- B. Push all slack fixture wire through Canopy Chain Loop (F) into Outlet Box. Trim excess fixture wire leaving a minimum of 6 inch. Hanging out of the Outlet Box.
- C. Use standard wire connectors (not included) to make all wire connections. (Connectors are not included with fixture.) Twist connectors until wires are tightly joined together. Wrap each connection with approved electrical tape and carefully stuff all the connected wires into outlet box.

Note: If the electrical wire is going to be cut shorter than provided you will need to identify the "L" line wire and the "N" neutral wire before you cut the excess wire off. One is labeled N and the other labeled L. To do this separate the "L" line wire and the "N" neutral wire as far as you need to. Re-label the wire near where you want to make the cut. Be sure to mark the wire on the side of the fixture and not on the excess wire being cut and removed.

- D. Re-attach the Ceiling Canopy (E) as shown in Step 7.

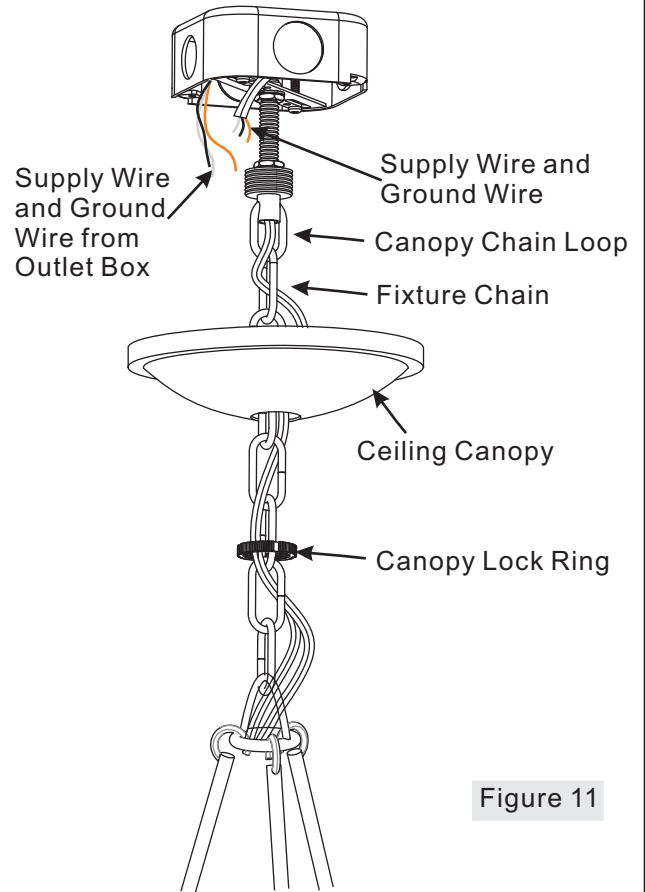


Figure 11

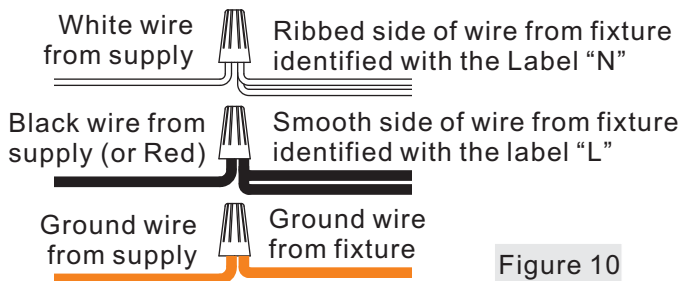


Figure 10

**STEP 11 – Install Bulbs**

- A. Insert bulbs onto sockets and screw properly into place.

Your fixture is now assembled and ready to use. Enjoy!

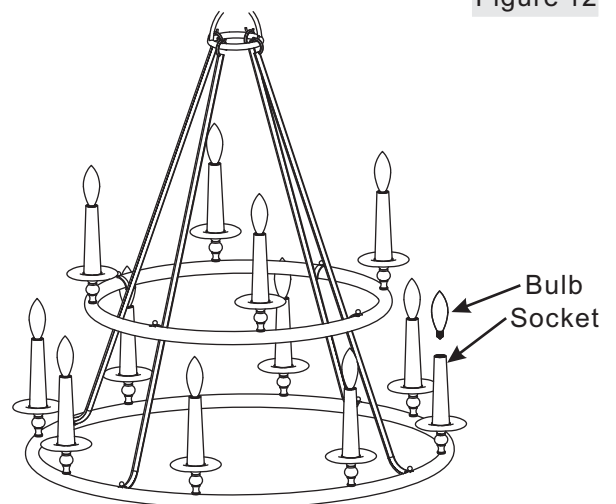


Figure 12

**Thank you for purchasing a Quoizel product.**

**Need assistance with parts or assembly? Call Quoizel customer service at 1-800-645-3184 or visit us on-line at www. quozel. com**