

Quoizel, Inc.  
6 Corporate Parkway  
Goose Creek, SC  
29445

Customer Service  
Phone 631.273.2700  
Fax 631.231.7102  
www. quoizel. com

## Assembly Instruction Sheet #IS-TFX1519T For Style TFX1519T

**Tools Required:** None

**Bulb Recommended:** (1) Candelabra Base T7 Bulb 15W Maximum

**Estimated Assembly Time:** 5-10 minutes

**Preparation:** Identify and inspect all parts before beginning installation. Check package content list and diagrams below to be sure all parts are present. If any parts are missing or damaged, do not attempt to assemble, install, or operate the fixture. Contact customer service for replacement parts.



### Warnings and Cautions

Turn off electricity at circuit breaker or main fuse box before installation. Consult a licensed electrician if in doubt.

These instructions are provided for your safety. It is very important you read them completely before installing the fixture. We strongly recommend that a licensed, professional electrician perform the installation.

Disconnect fixture from power source before replacing bulbs. Make sure bulbs are given sufficient time to cool before removal. Do not subject glass parts to any shock while in operation or shattering October result.



### Care of Tiffany Style Shade

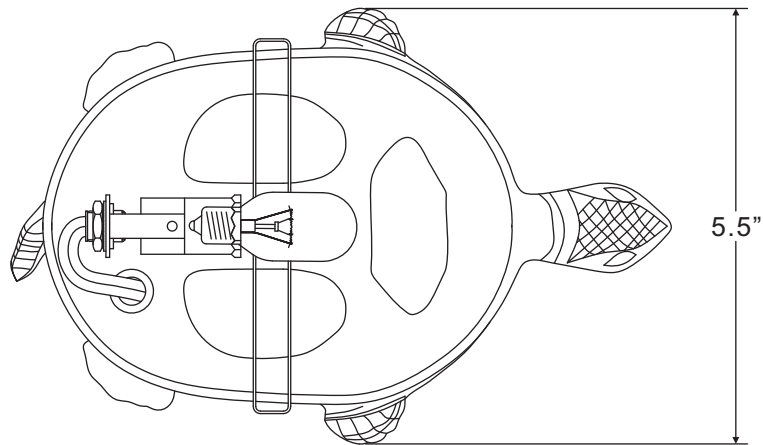
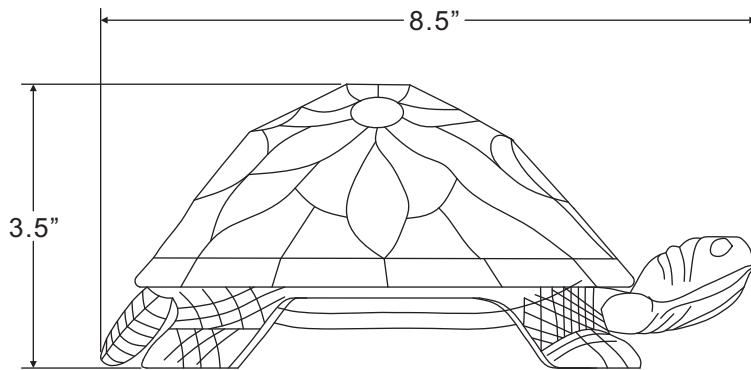
A new tiffany lamp shade has an oil film applied to the shade that protects the tiffany shade from scratches during shipment. If the oil applied is too heavy you can remove the excess oil film with a paper towel. Gently wipe away the excess oil.

For general cleaning of tiffany shades use a gentle lemon oil-based furniture polish applied to a soft cloth and wipe gently.

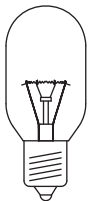
If a white powder appears on the soldered joints of the tiffany shade this is a normal oxidation process. Use a small amount of lemon oil or mineral oil applied directly to oxidized areas and the soldered area will return to like new.

Thank you for purchasing a Quoizel product.

Need assistance with parts or assembly? Call Quoizel customer service at 1-631-273-2700  
or visit us on-line at [www. quoizel. com](http://www. quoizel. com)



**TOP VIEW W/O SHADE**



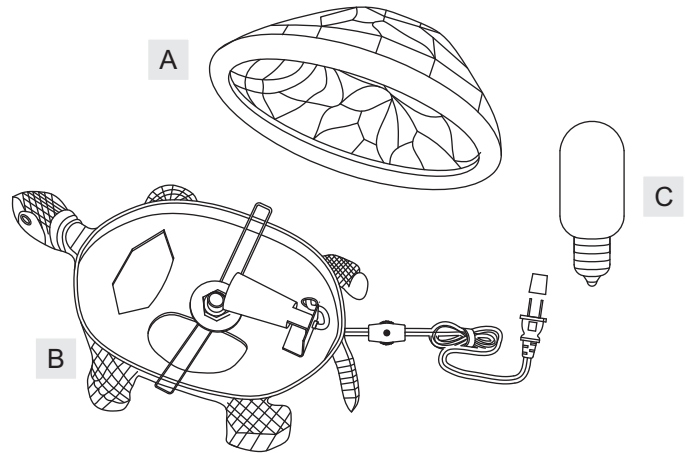
(1) 15W Candelabra  
Base T7 Bulb  
(Supplied)

NOTE: ALL DIMENSIONS ARE ROUNDED UP TO THE NEAREST 1/2"

NO.	PART NUMBER	REPLACEMENT PART DESCRIPTION	REQ.
1			

**Package Contents**

Part	Description	Quantity
A	Shade	1 pc.
B	Turtle	1 pc.
C	T7 Bulb	1 pc.



**STEP 1 – Install Bulb**

- A. This fixture uses T7 Bulb (Supplied) with candelabra base. Maximum 15 watts.
- B. Insert bulb and screw properly into place.

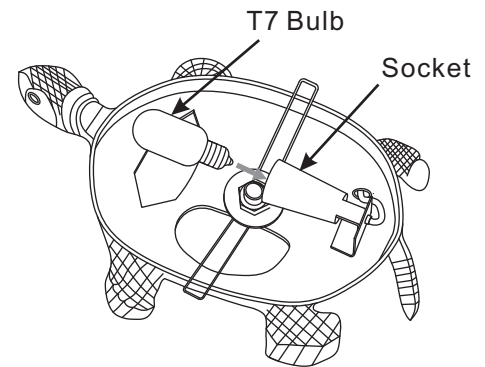


Figure 1

**STEP 2 – Install Shade**

- A. Press up Springs and place the Shade (A) onto the Turtle (B). The Springs on the Turtle (B) will engage the Shade (A).

Your fixture is now assembled and ready to use. Enjoy!

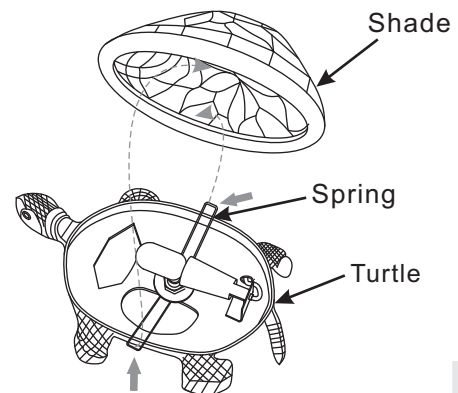


Figure 2

**Thank you for purchasing a Quoizel product.**

**Need assistance with parts or assembly? Call Quoizel customer service at 1-631-273-2700  
 or visit us on-line at www. quozel. com**