

Please go to www. quozel. com for product cleaning tips. Go to the **Care + Maintenance** selection.

Tools Required: Flathead screwdriver, Phillips screwdriver, pliers, wire cutters, wire strippers, electrical tape, safety glasses.

Light Source: (3) Medium Base 100W bulbs Maximum, Alternate bulb (3) 23W CFL Maximum.

Estimated Assembly Time: 30-45 minutes

Preparation: Identify and inspect all parts before beginning installation. Check package content list and diagrams below to be sure all parts are present. If any parts are missing or damaged, do not attempt to assemble, install, or operate the fixture. Contact customer service for replacement parts.

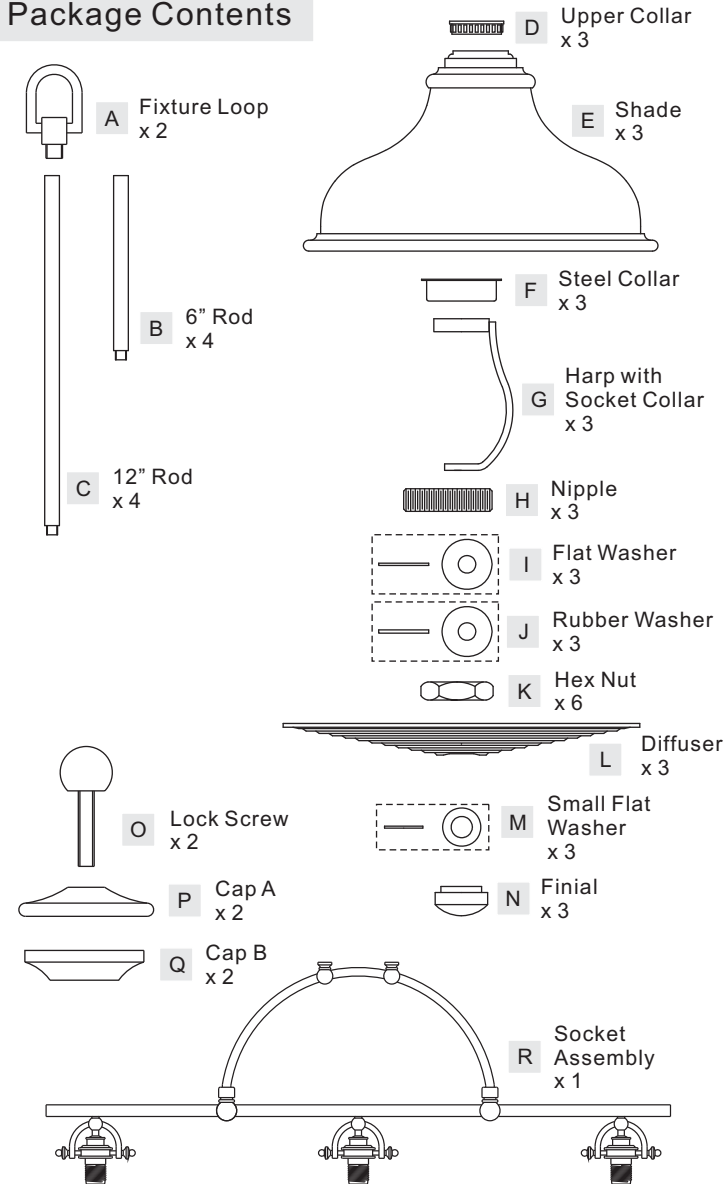
⚠ Warnings and Cautions

Turn off electricity at circuit breaker or main fuse box before installation. Consult a licensed electrician if in doubt.

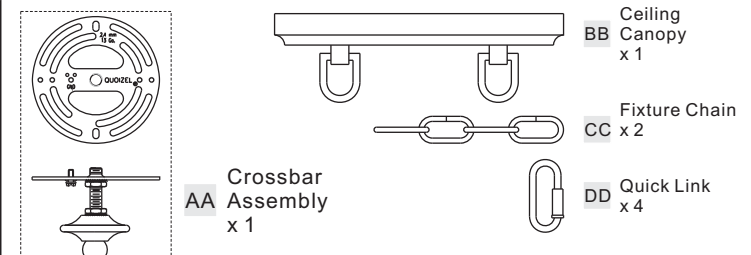
These instructions are provided for your safety. It is very important you read them completely before installing the fixture. We strongly recommend that a licensed, professional electrician perform the installation.

Disconnect fixture from power source before replacing bulbs. Make sure bulbs are given sufficient time to cool before removal. Do not subject glass parts to any shock while in operation or shattering may result.

Package Contents



Hardware Contents



STEP 1 - Attach Caps to Socket Assembly

A. Attach the Caps (P/Q) to the ends of the Socket Assembly (R) and secure with the Lock Screws (O). Hand tighten until snug.

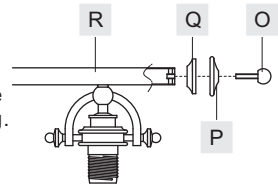


Figure 1

STEP 2 - Assemble the Rods and the Fixture Loop

A. Determine the Rods (B/C) to be assembled to the Socket Assembly (R) according to your hanging height.
B. Pass the supply wires and ground wire through the chosen rods (B/C) and the Fixture wires through the chosen rods (B/C) and the Fixture Loop (A) together. Hand tighten until snug.

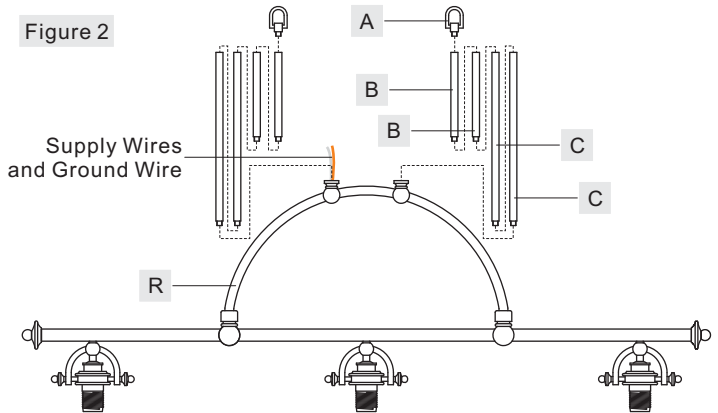


Figure 2

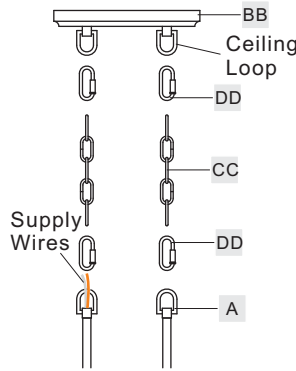
Thank you for purchasing a Quoizel product.
Need assistance with parts or assembly? Call Quoizel customer service at 1-631-273-2700
or visit us on-line at www. quozel. com

STEP 3 - Install Fixture Chains

A. Adjust the Fixture Chain (CC) to your desired length by removing the links if needed.
* Pliers is required for this step.

B. With the Fixture Chain (CC) not attached to the Fixture Loop (A) and the Canopy Chain Loop, pull the supply wires through the Fixture Chain (CC) alternating links. After the wires are through the Fixture Chain (CC), pull the Supply Wires and the Ground Wire through the Ceiling Canopy (BB).

C. Attach one ends of the Fixture Chains (CC) to the Fixture Loop (A) with two Quick Links (DD) as shown. Lift the fixture and Fixture Chains (CC) up and attach the other ends of the Fixture Chains (CC) onto the Canopy Chain Loop underside of the Ceiling Canopy (BB) with the rest two Quick Links (DD).



Suggested rods and chain length for Ceiling height :
8' ceiling : use (1)6" rod and 2 quick links
9' ceiling : use (1)12" rod, 5 links of chain and 2 quick links
10' ceiling : use (2)12" rods, 5 links of chain and 2 quick links

STEP 4 - Separate parts from Crossbar Assembly

A. Remove the Finial, the Covers, and the Lock Washer from the Crossbar Assembly (AA).

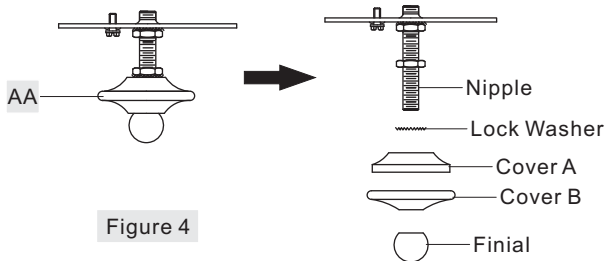


Figure 4

STEP 5 - Install Crossbar

A. Attach the Crossbar (AA) to the Outlet Box with the head of the Green Ground Screw facing you. Secure it with Outlet Box Screws (not included). Tighten until snug.

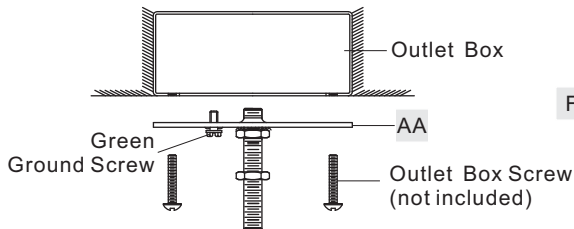


Figure 5

STEP 6 - Wire Connections

A. Use standard wire connectors (not included) to make all wire connections. (Connectors are not included with fixture.) Strip and prepare wire ends according to instructions supplied with connectors.

B. Connect White Supply Wire from the Outlet Box to Ribbed side Wire

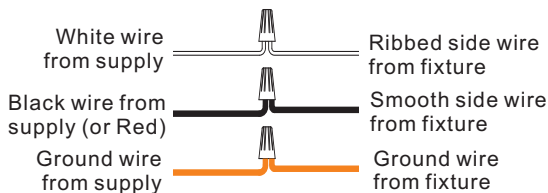


Figure 6

from fixture.
C. Connect Black (or Red) Supply Wire from the Outlet Box to Smooth side Wire from fixture.
D. Connect Ground Wire from the Outlet Box to Ground Wire from fixture.
E. Twist connectors until wires are tightly joined together.
F. Wrap each connection with approved electrical tape and carefully stuff all the connected wires into the Outlet Box.

STEP 7 - Install Ceiling Canopy

A. Attach the Lock Washer, the Ceiling Canopy (BB) and the Covers over the end of the Nipple as shown. Secure by threading the Finial onto the Nipple. Hand tighten until snug.

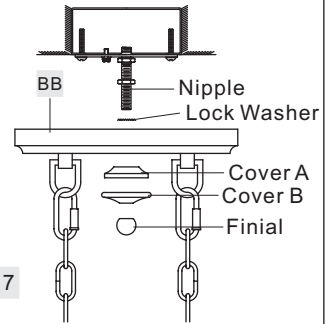


Figure 7

STEP 8 - Install Shade

A. Place the Upper Collar (D), the Shade (E) and the Steel Collar (F) in turn and secure with the Harp with Socket Collar (G). Hand tighten until snug.

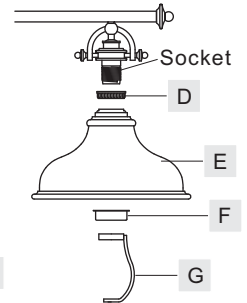


Figure 8

STEP 9 - Install Bulb

A. This fixture uses standard bulb with medium base. Maximum 100 watts.
B. Insert bulb and screw snugly into place.

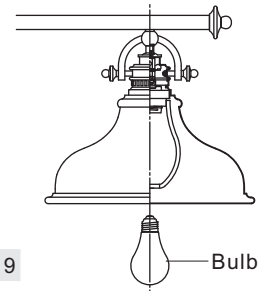


Figure 9

STEP 10 - Install Diffuser

A. Thread one Hex Nut (K) to the Nipple (H) approx half way. Screw the Nipple (H) into the bottom end of the Harp (G) and tighten until snug. By using pliers, thread the Hex Nut (K) against the Harp (G) and hand tighten until snug.
B. Thread another Hex Nut (K) onto the end of the Nipple (H) and adjust it to proper location for rest components. Attach the Flat Washer (I), the Rubber Washer (J), the Diffuser (L) and the Small Flat Washer (M) over the Nipple (H) in turn. Secure them with the Finial (N) and hand tighten until snug.

Your fixture is now assembled and ready to use. Enjoy!

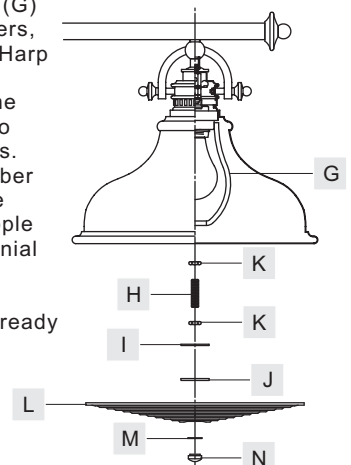
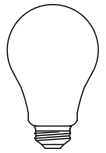
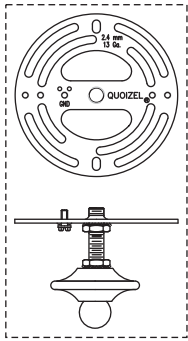


Figure 10

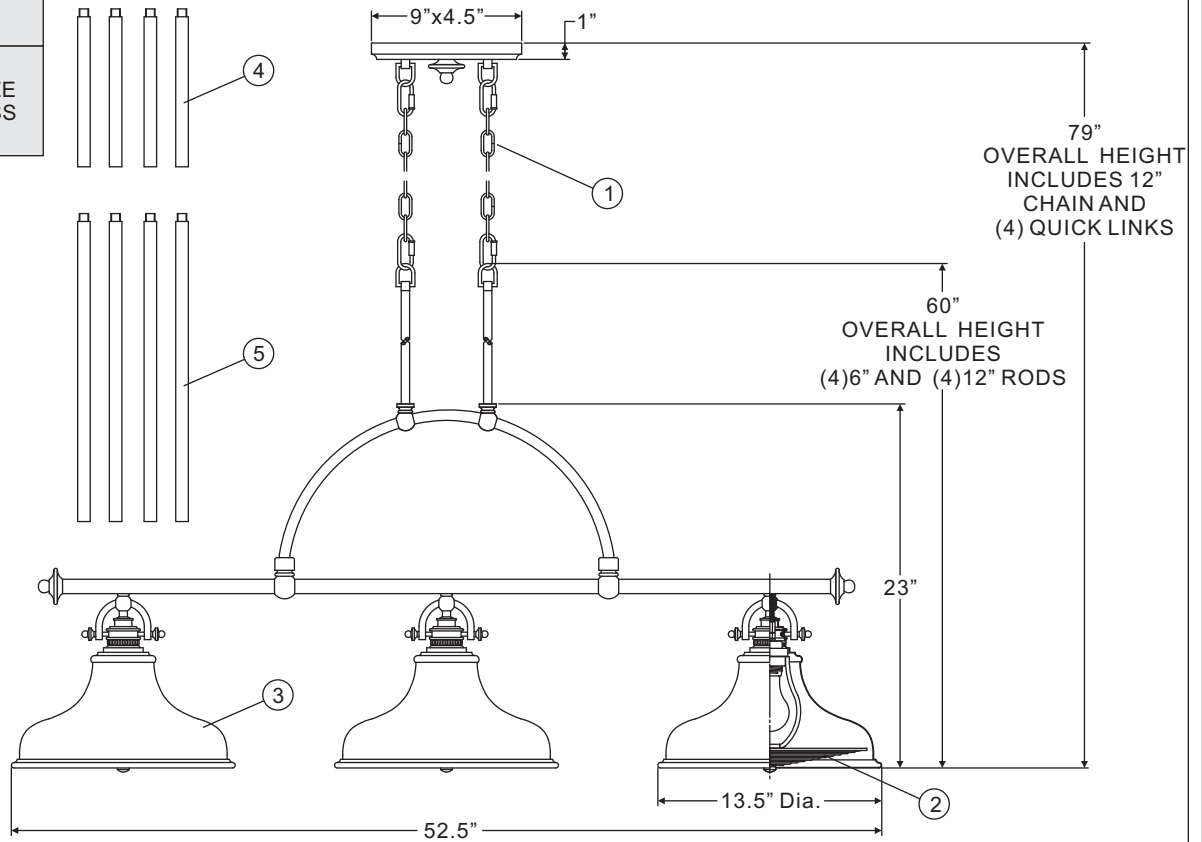
Thank you for purchasing a Quoizel product.
Need assistance with parts or assembly? Call Quoizel customer service at 1-631-273-2700
or visit us on-line at www.quoise.com

ER353BN/ER353PN
/ER353WS/ER353IS

FINISH: BRUSHED NICKEL
PALLADIAN BRONZE
WEATHERED BRASS
IMPERIAL SILVER



(3) 100W Medium Base Bulbs (Not Supplied)



NOTE: ALL DIMENSIONS ARE ROUNDED UP TO THE NEAREST 1/2"

NO.	PART NUMBER	REPLACEMENT PART	REQ.	STYLE NUMBER	NO.	PART NUMBER	REPLACEMENT PART	REQ.	STYLE NUMBER
1	M381CHBN	CHAIN	1	ER353BN	1	M381CHPN	CHAIN	1	ER353PN
2	G134DI	DIFFUSER	3		2	G134DI	DIFFUSER	3	
3	M2127SH	METAL SHADE	3		3	M2129SH	METAL SHADE	3	
4	9006EXBN	6"L ROD	4		4	9006EXPN	6"L ROD	4	
5	9012EXBN	12"I ROD	4		5	9012EXPN	12"I ROD	4	
1	M1926CHIS	CHAIN	1	ER353IS	2	G134DI	DIFFUSER	3	ER353WS
2	G134DI	DIFFUSER	3		3	M2432SH	METAL SHADE	3	
3	M2128SH	METAL SHADE	3		4	9006EXWS	6"L ROD	4	
4	9006EXIS	6"L ROD	4		5	9012EXWS	12"I ROD	4	
5	9012EXIS	12"I ROD	4						

Thank you for purchasing a Quoizel product.
Need assistance with parts or assembly? Call Quoizel customer service at 1-631-273-2700
or visit us on-line at www.quoizel.com