

**SAFETY INFORMATION**

Please read and understand this entire manual before attempting to assemble, install or operate the product.

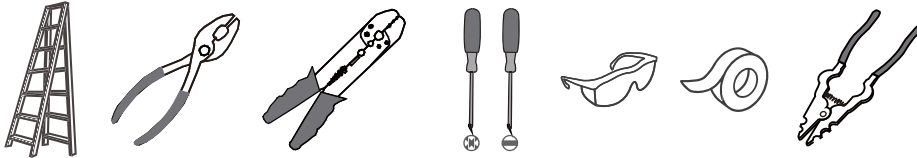
**WARNING**

- RISK OF ELECTRIC SHOCK - Before beginning installation, turn off electricity at the circuit breaker box or the main fuse box.
- RISK OF FIRE - Use bulbs specified by the markings and/or labels on the fixture.

**CAUTION**

- For your safety, read instructions completely before beginning installation.
- If in doubt about electrical installation, consult a licensed electrician.
- Turn off electricity to fixture before replacing the bulb(s).

**TOOLS REQUIRED**

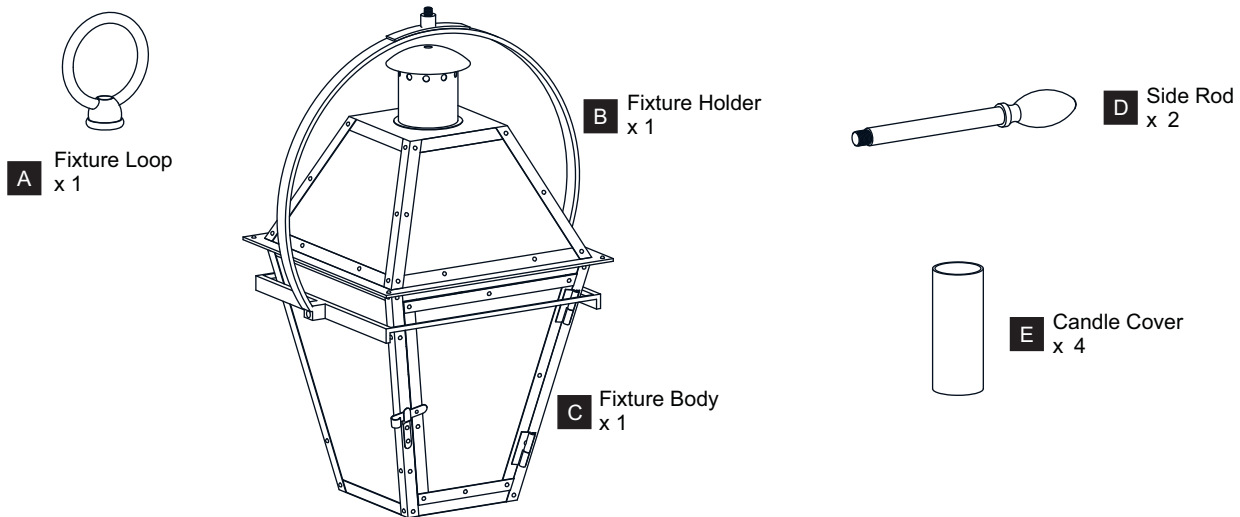


**CARE AND MAINTENANCE**

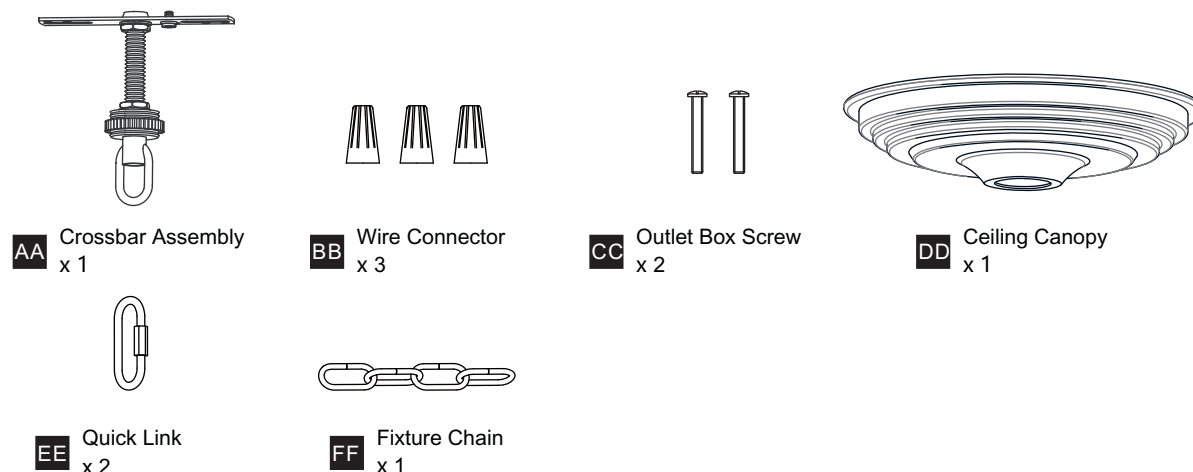
- Wipe clean using soft, dry cloth or static duster. Always avoid using harsh chemicals and abrasives to clean fixture as they may damage the finish.

If you need further assistance call Quozel Customer Care at 1-800-645-3184 (9:00am - 5:00pm EST), or visit us on-line at [www.quezel.com](http://www.quezel.com).

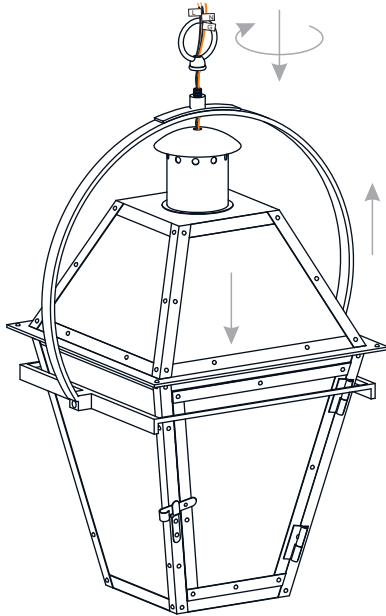
**PACKAGE CONTENTS**



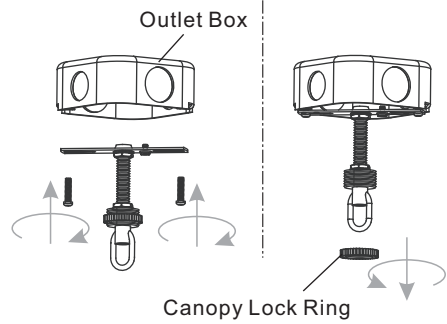
**MOUNTING HARDWARE**



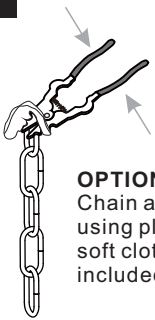
**1 Install Fixture Loop**



**2 Install Crossbar Assembly**

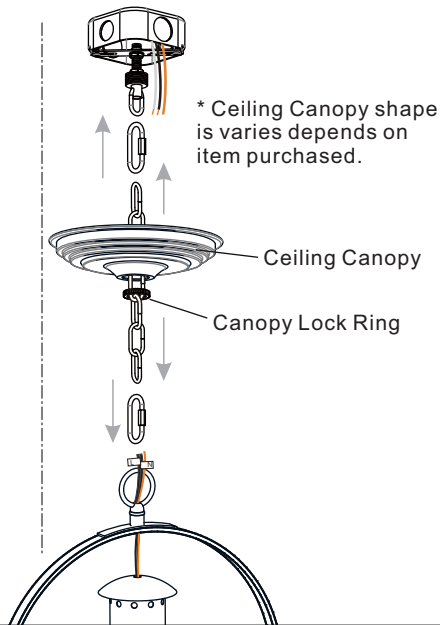


**3 Install Fixture Chain**



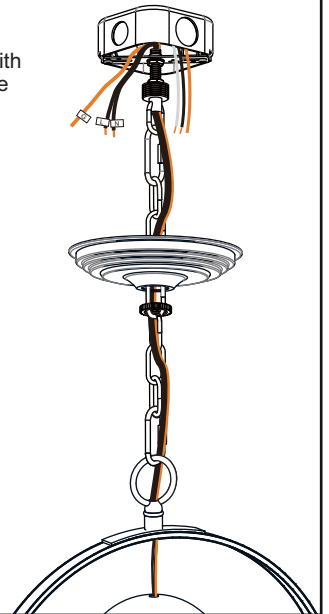
**OPTIONAL:** Adjust Chain as desired, using pliers and soft cloth (neither included).

Suggested chain length for Ceiling height:  
 8 feet ceiling: use 1 link of chain and 2 quick links  
 9 feet ceiling: use 11 links of chain and 2 quick links  
 10 feet ceiling: use 21 links of chain and 2 quick links.

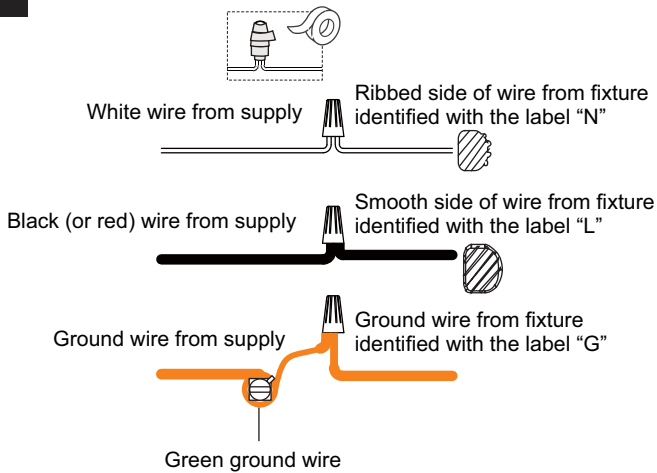


**4 Pull Supply Wires**

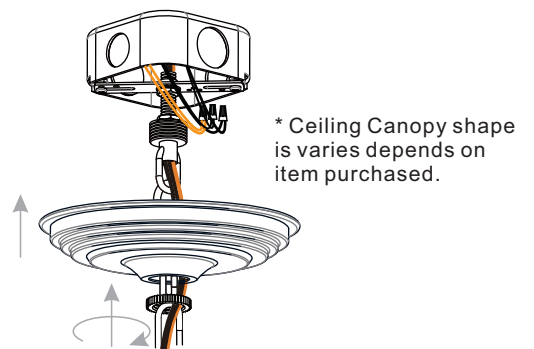
Pull the supply wires with ground wire through the chain alternate links.



**5 Wiring**

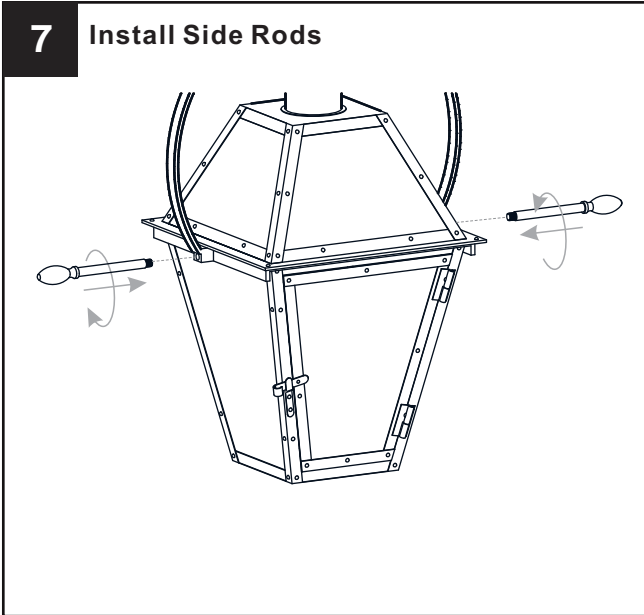


**6 Install Ceiling Canopy**

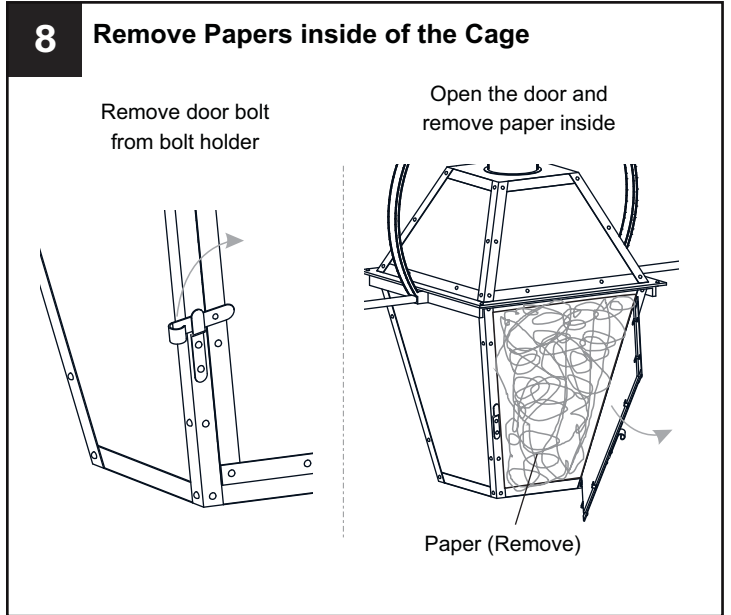


# INSTALLATION

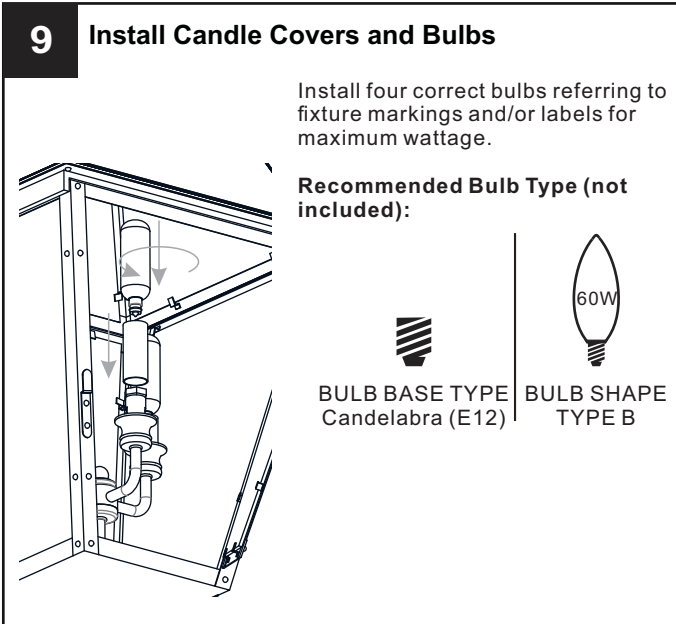
## 7 Install Side Rods



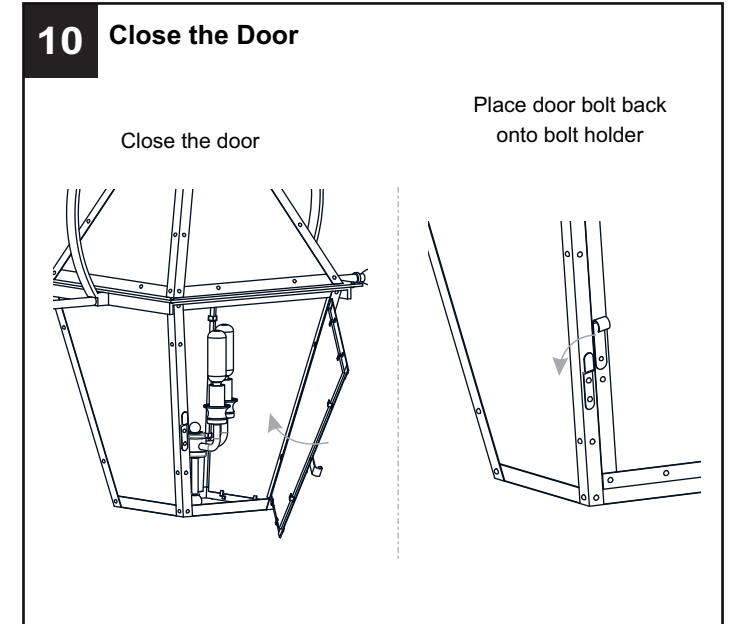
## 8 Remove Papers inside of the Cage



## 9 Install Candle Covers and Bulbs



## 10 Close the Door



**Your installation is now complete! Restore electricity and save this sheet for future reference.**