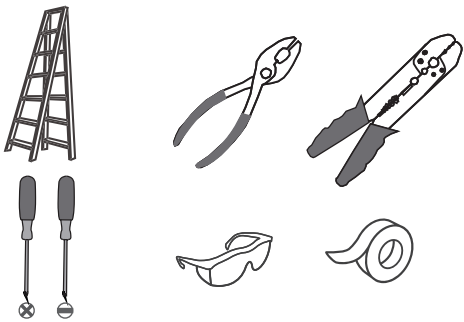
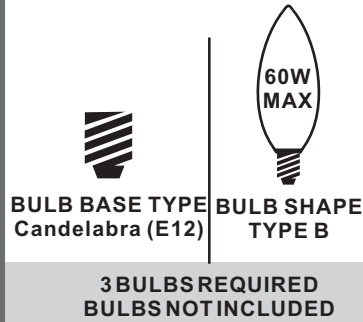


**Tools Required**



**Light Source**



**Fixture Height Adjustable 14" to 52"**

**Warnings and Cautions**

Turn off the electricity at the circuit breaker before installation. Consult a licensed electrician if in doubt about installation.

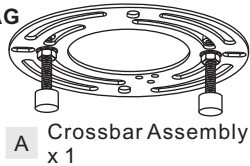
Turn off power to the fixture and allow the bulbs to cool before replacing.

**Package Contents**

**Preparation:** Identify and inspect all parts before beginning the installation.

Missing or damaged parts? Contact your original place of purchase.

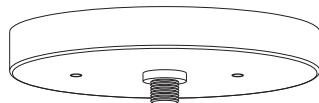
**PARTS BAG**



**B** Outlet Box Screw x 2



**C** Wire Connector x 3



**D** Ceiling Canopy x 1



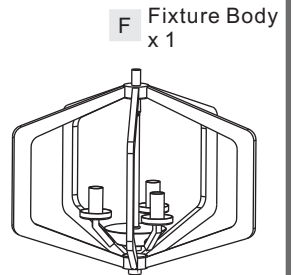
**E** Swivel x 1



**G** 6" L Rod x 2



**H** 12" L Rod x 2

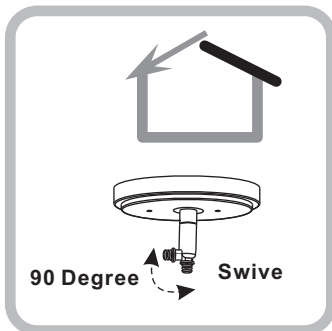


**F** Fixture Body x 1

**Table of Contents**

Crossbar Assembly	Downrod	Lanyard	Wiring	Ceiling Canopy	Bulb
<b>STEP 1</b>	<b>STEP 2</b>	<b>STEP 3</b>	<b>STEP 4</b>	<b>STEP 5</b>	<b>STEP 6</b>

**STEP 1**

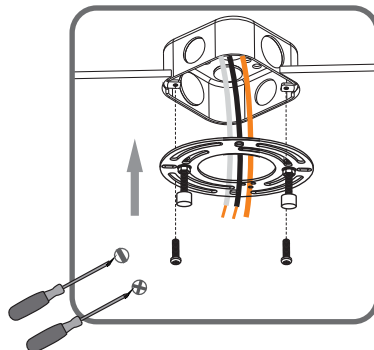


90 Degree Swive

For angled ceilings, Swivel opening towards wall.

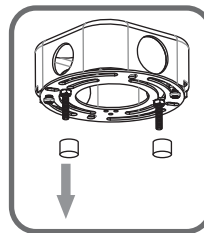
**1**

**Step 1**  
Install crossbar assembly

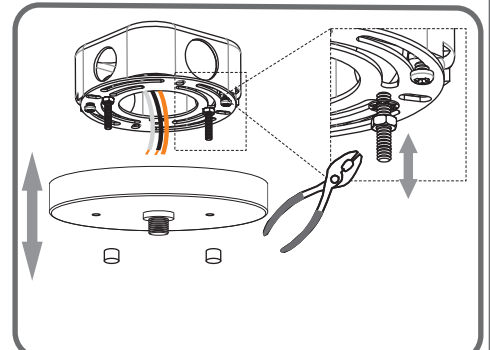


**2**

**Step 2 - 3**  
Test fitting ceiling canopy to mounting screws



**3**

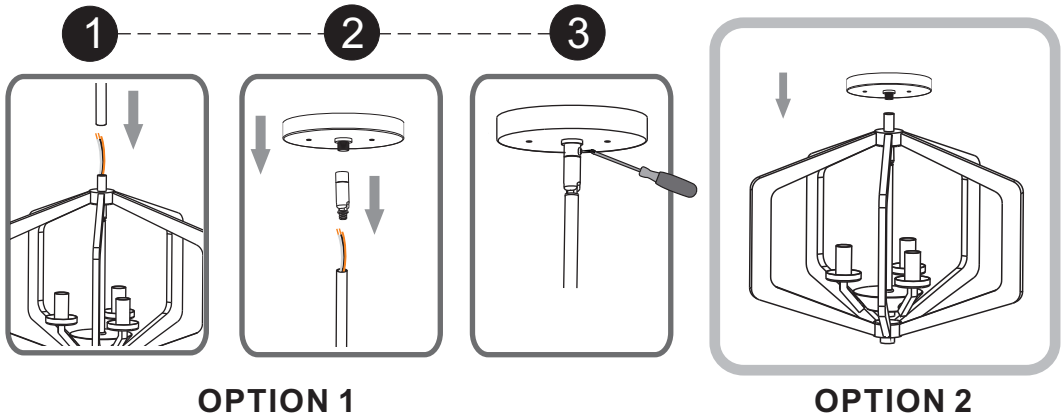


**STEP 2**

**Optional Rods**

**8' ceiling:**  
(1) 6"L + (1) 12"L rods

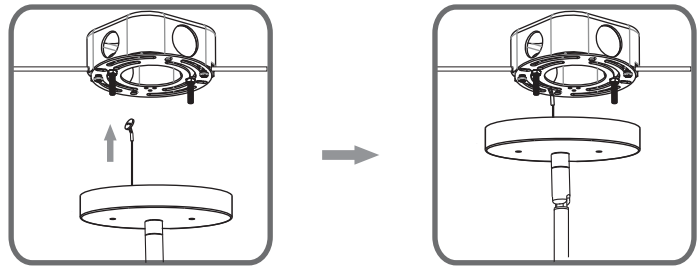
**9' ceiling:**  
(1) 6"L + (2) 12"L rods



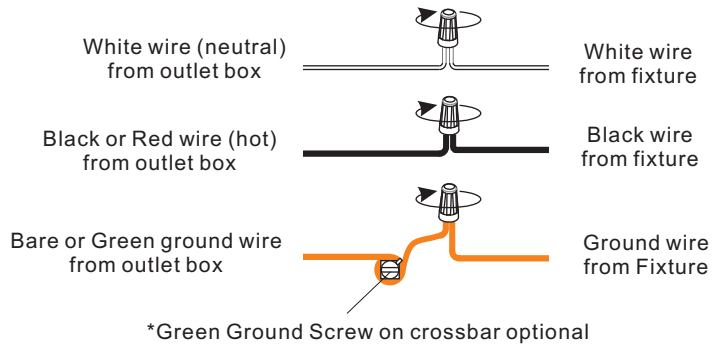
**OPTION 1**

**OPTION 2**

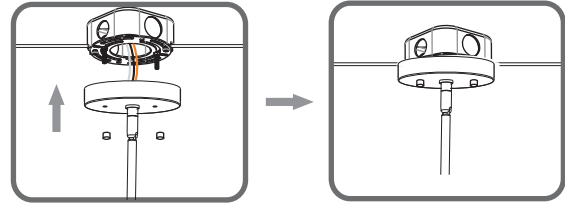
**STEP 3**



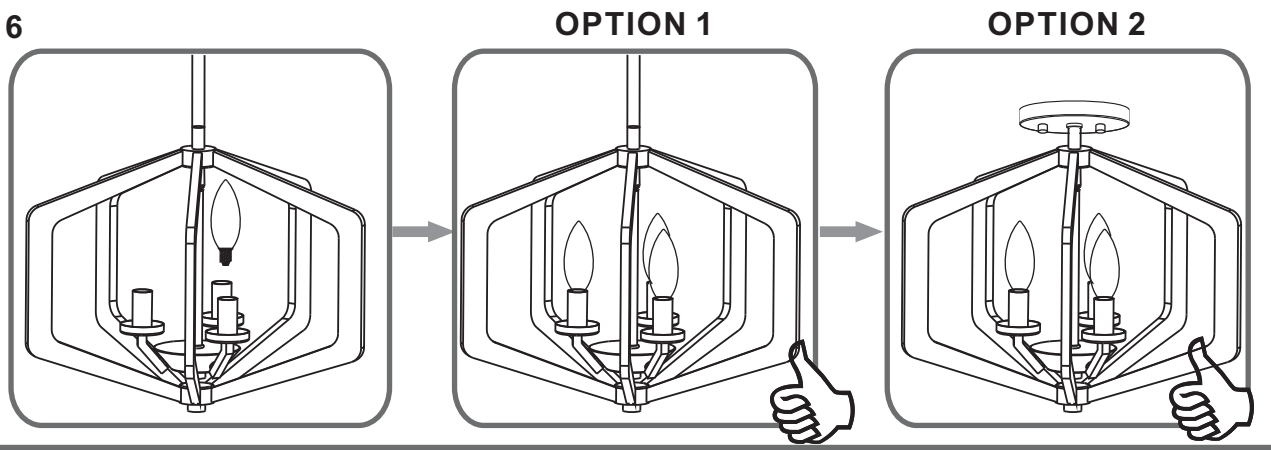
**STEP 4**



**STEP 5**



**STEP 6**



**OPTION 1**

**OPTION 2**