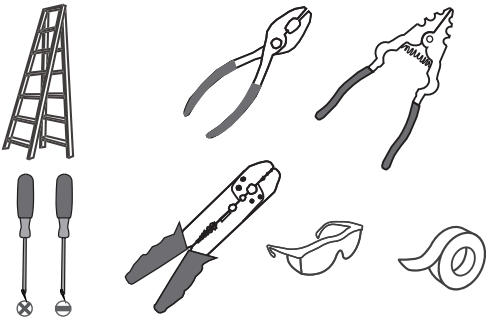
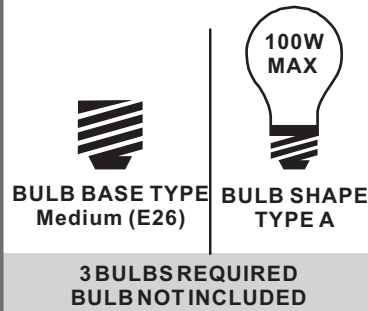


Tools Required



Light Source



**Fixture Height Adjustable
31.5" to 81"**

⚠ Warnings and Cautions

Turn off the electricity at the circuit breaker before installation. Consult a licensed electrician if in doubt about installation.

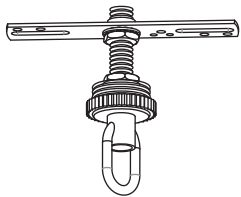
Turn off power to the fixture and allow the bulbs to cool before replacing.

Package Contents

Preparation: Identify and inspect all parts before beginning the installation.

Missing or damaged parts? Contact your original place of purchase.

PARTS BAG



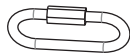
A Crossbar Assembly x 1



B Outlet Box Screw x 2



C Wire Connector x 3



D Quick Link x 2



E Fixture Chain x 1



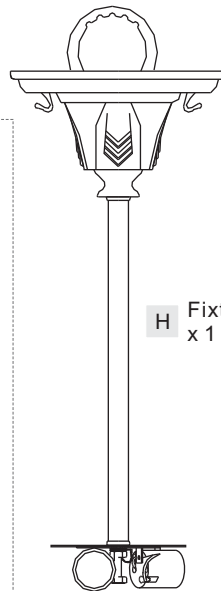
F Ceiling Canopy x 1



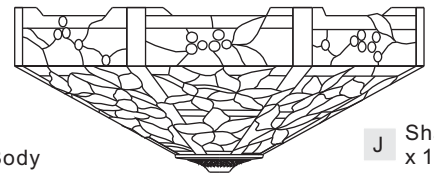
G Finial x 1



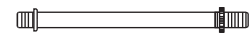
I Chain x 4



H Fixture Body x 1



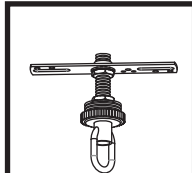
J Shade x 1



K Stem x 1

Table of Contents

Crossbar Assembly



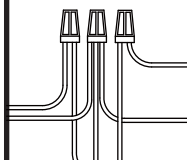
STEP 1

Fixture Chain



STEP 2

Wiring



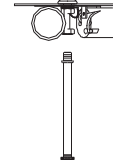
STEP 3

Ceiling Canopy



STEP 4

Stem



STEP 5

Shade

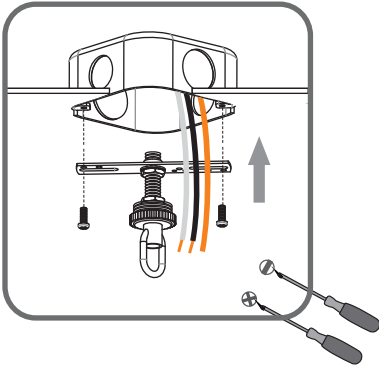


STEP 6

STEP 1

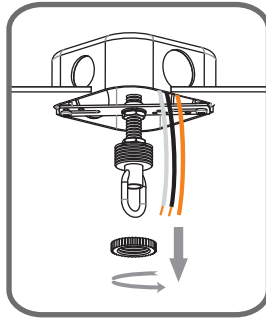
1

Step 1
Install crossbar assembly

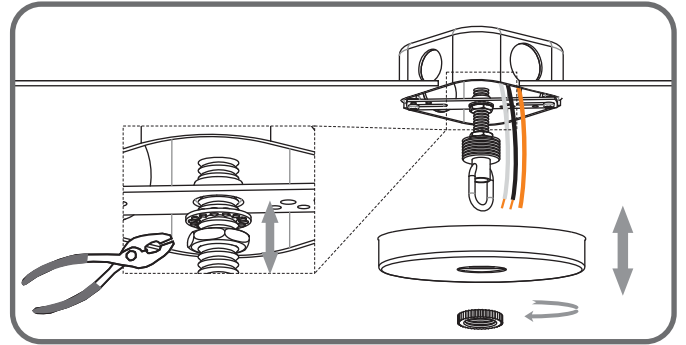


2

Step 2 - 3
Test fitting ceiling canopy to nipple



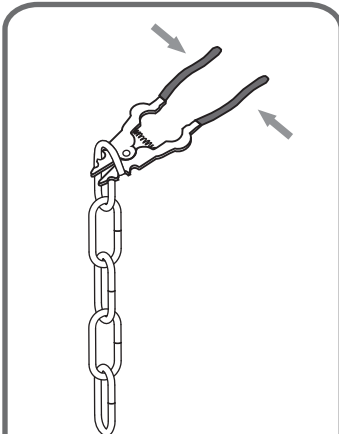
3



STEP 2

1

Step 1
Adjust fixture chain length

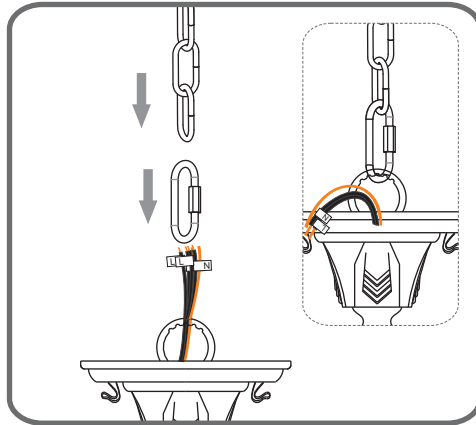


Suggested Chain Length:

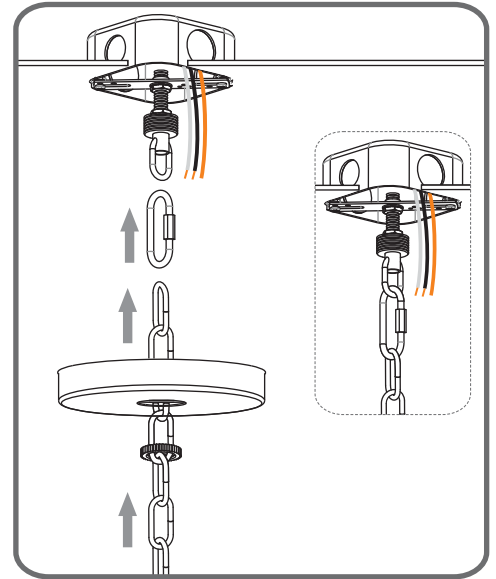
8' ceiling: 5" Chain
9' ceiling: 17" Chain
10' ceiling: 29" Chain

2

Step 2 - 3
Install Fixture Chain



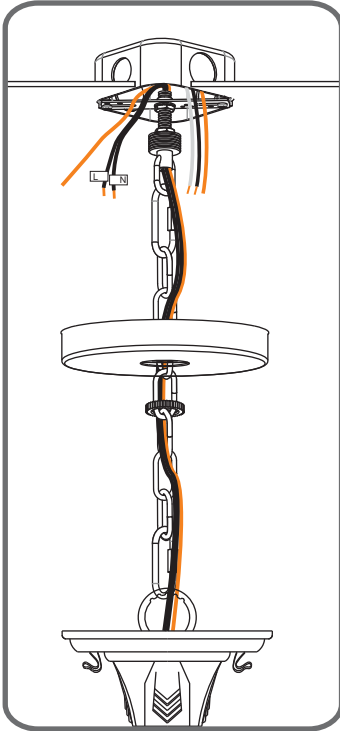
3



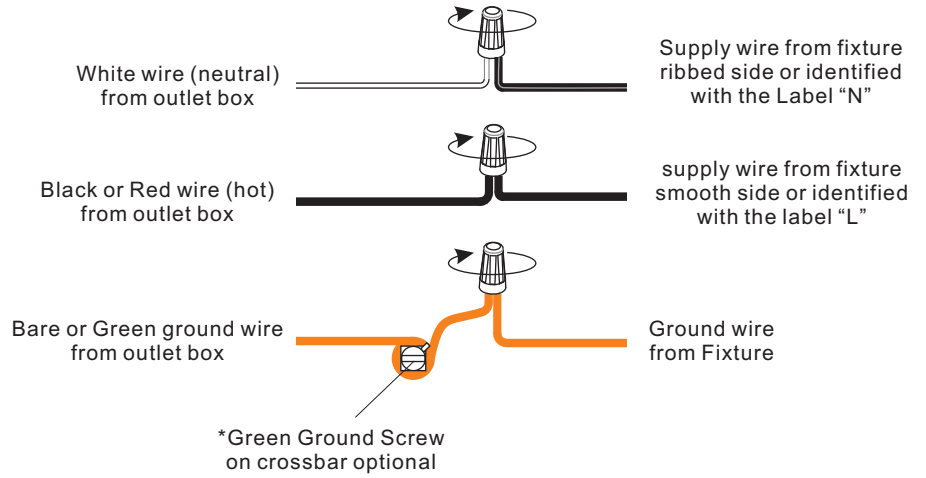
STEP 3

1

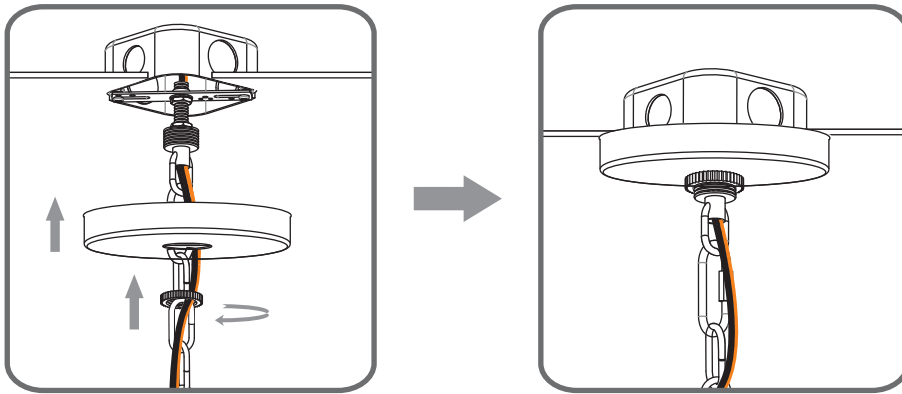
Step 1
Feed the fixture wires
through the loop



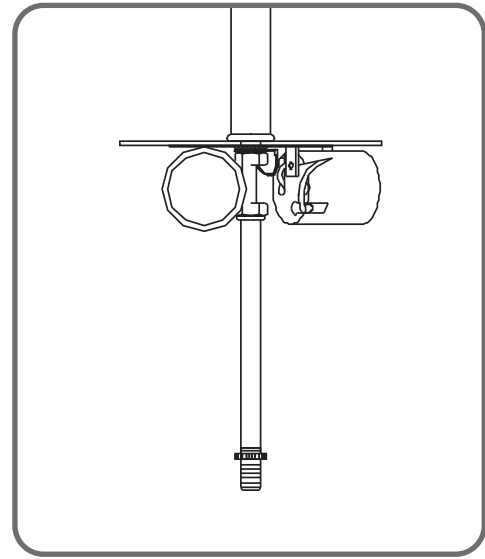
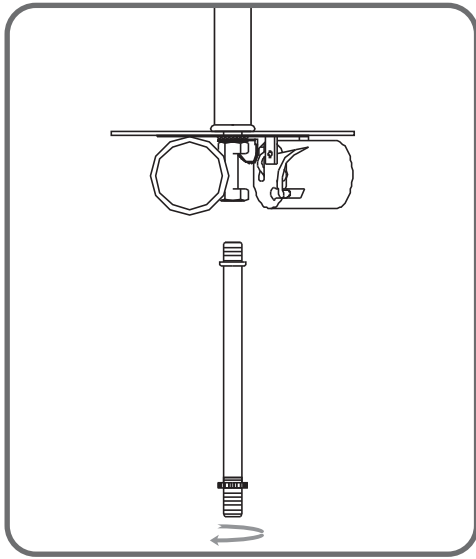
2



STEP 4



STEP 5



STEP 6

