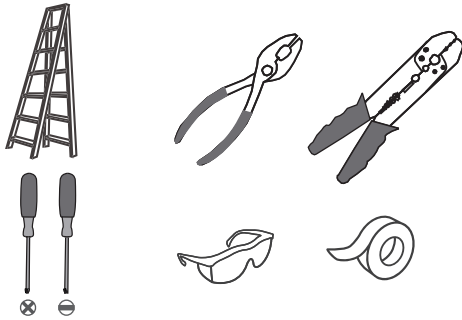


Tools Required



Light Source

23W
LED

**Fixture Height Adjustable
10" to 100"**

⚠ Warnings and Cautions

Turn off the electricity at the circuit breaker before installation. Consult a licensed electrician if in doubt about installation.

Package Contents

Preparation: Identify and inspect all parts before beginning the installation.

Missing or damaged parts? Contact your original place of purchase.

PARTS BAG

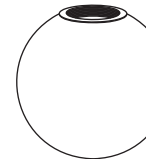
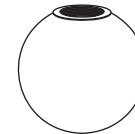
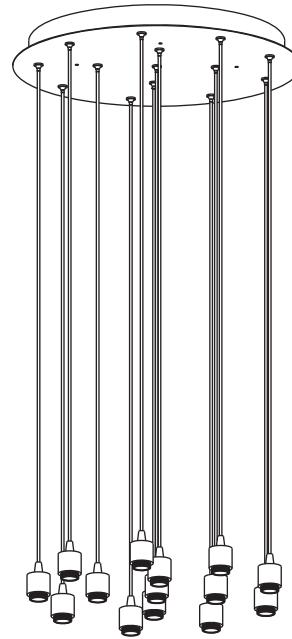
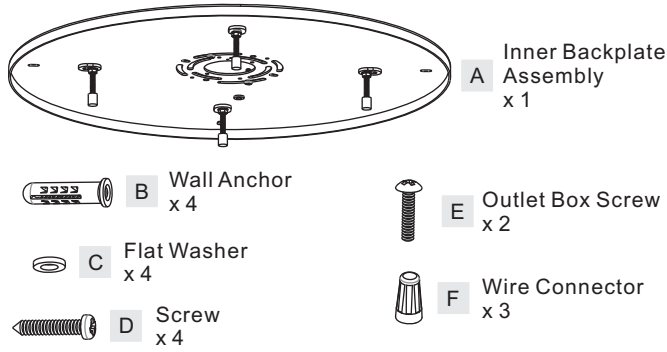
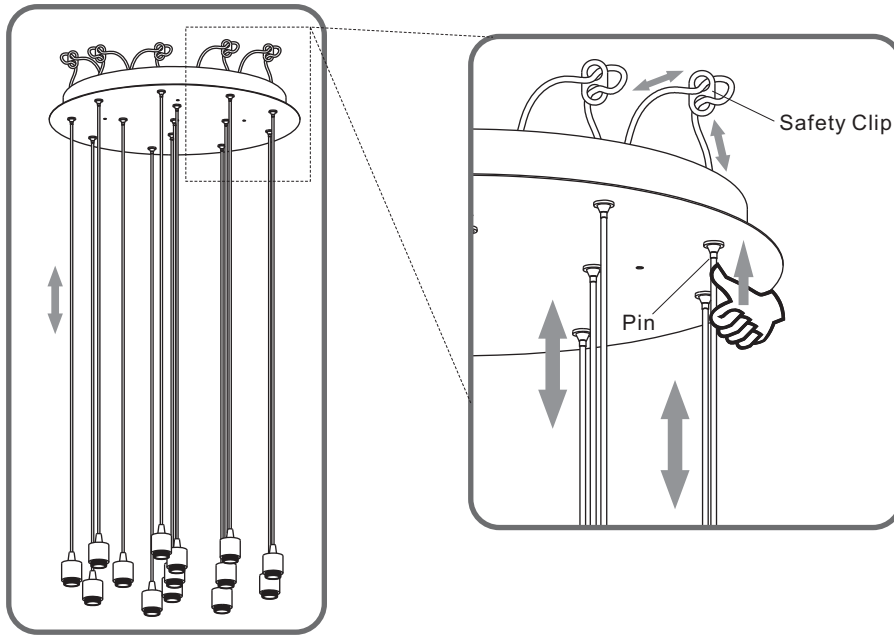


Table of Contents

Adjust Cord Length	Inner Backplate Assembly	Lanyard	Wiring	Fixture Body	Glasses
STEP 1	STEP 2	STEP 3	STEP 4	STEP 5	STEP 6

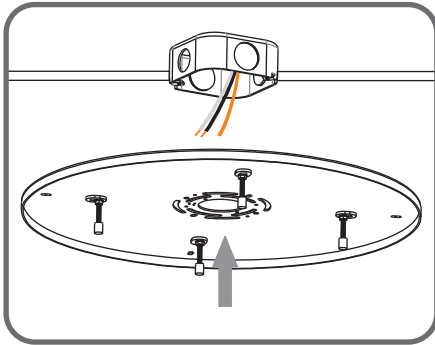
STEP 1



STEP 2

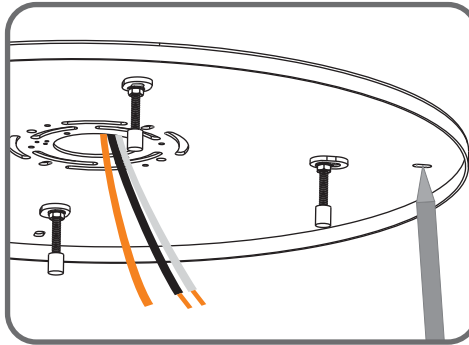
1

Fit inner backplate assembly to outlet box



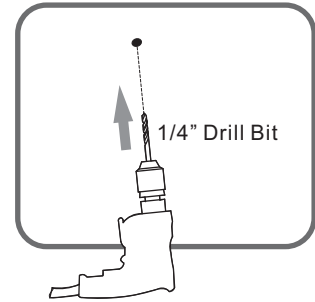
2

Mark anchor holes location on the ceiling



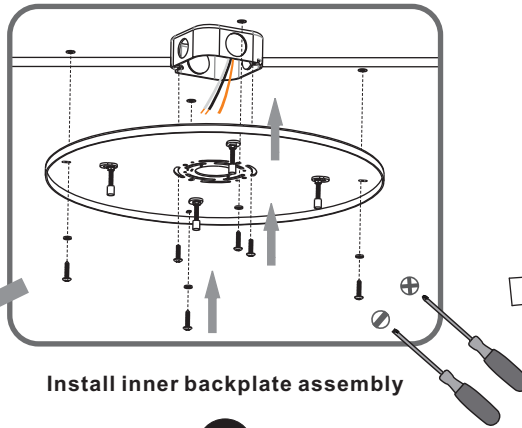
3

Drill holes for anchors from marks



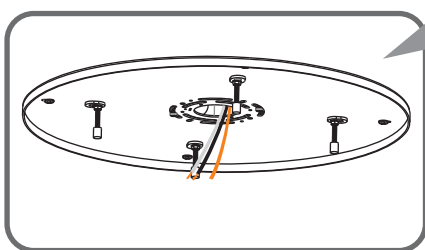
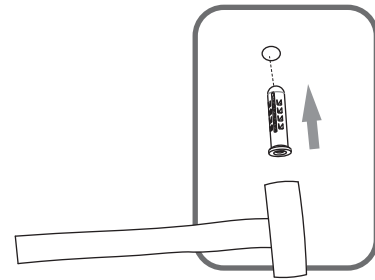
5

Install inner backplate assembly



4

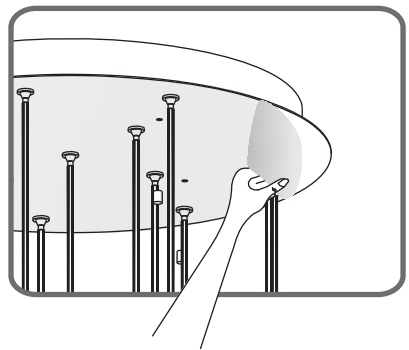
Install wall anchors



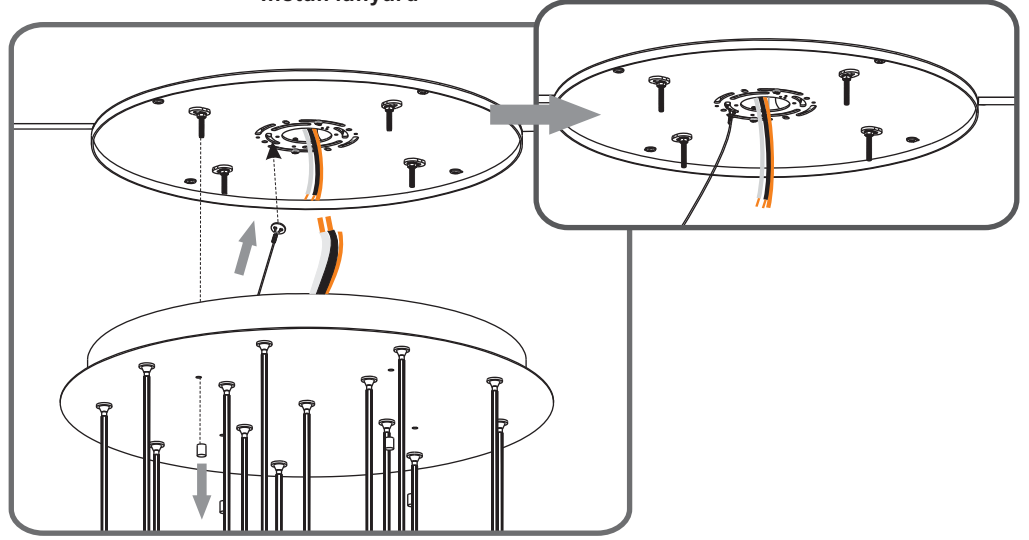
STEP 3

1 ----- 2

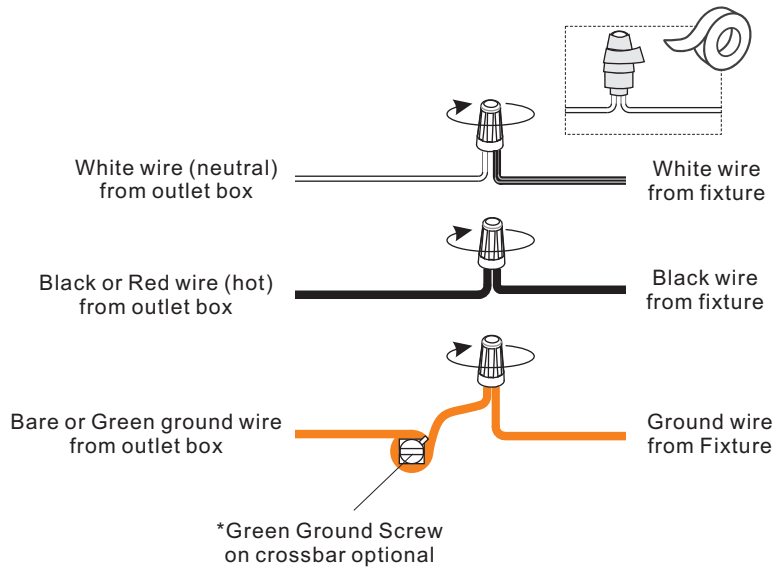
Remove protective film



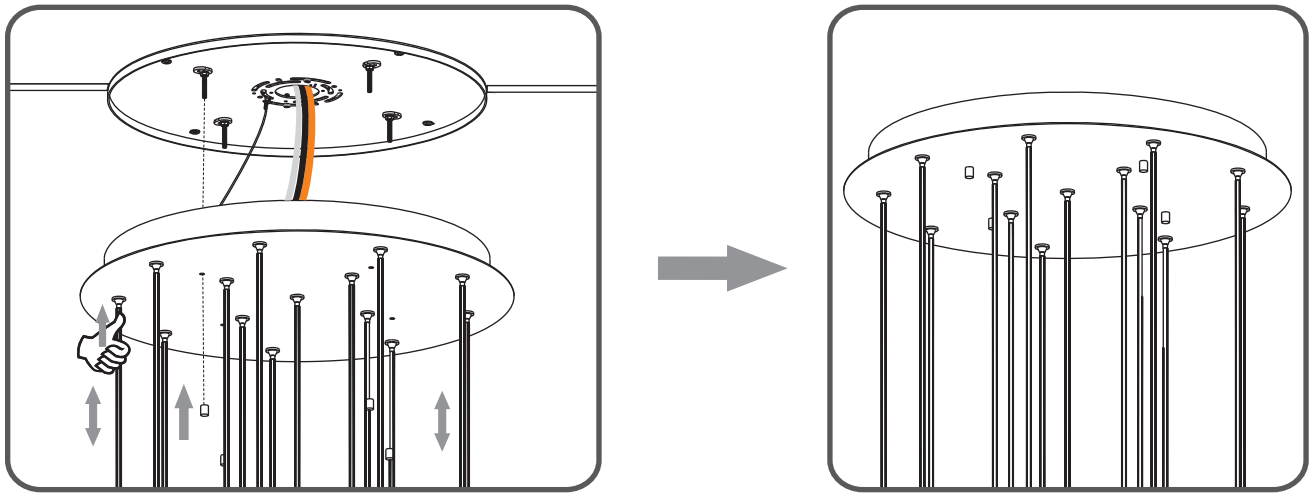
Install lanyard



STEP 4



STEP 5



STEP 6

Recommended Glass Orientation.

