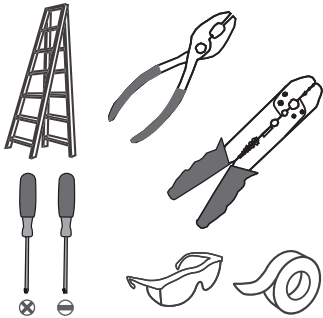
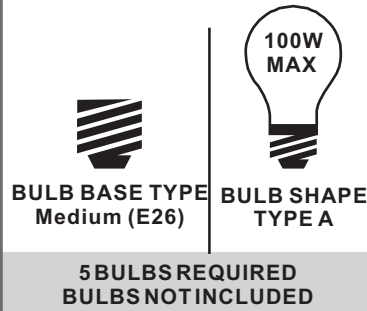


Tools Required



Light Source



Warnings and Cautions

Turn off the electricity at the circuit breaker before installation. Consult a licensed electrician if in doubt about installation.

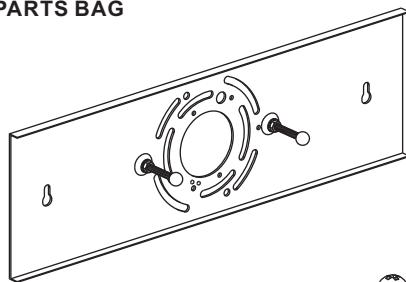
Turn off power to the fixture and allow the bulbs to cool before replacing.

Package Contents

Preparation: Identify and inspect all parts before beginning the installation.

Missing or damaged parts? Contact your original place of purchase.

PARTS BAG



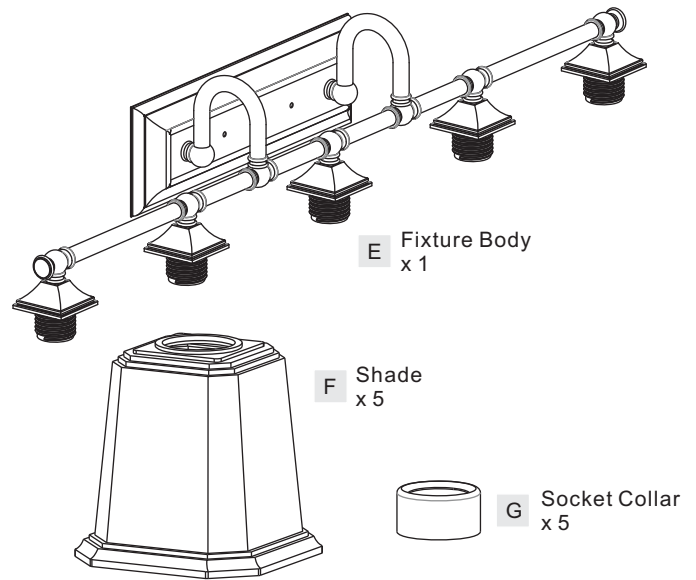
A Inner Backplate Assembly x 1

B Wall Anchor x 2

D Outlet Box Screw x 2

C Screw x 2

E Wire Connector x 3



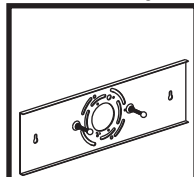
E Fixture Body x 1

F Shade x 5

G Socket Collar x 5

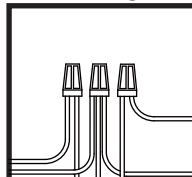
Table of Contents

Inner Backplate Assembly



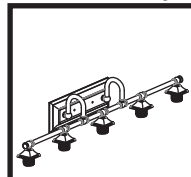
STEP 1

Wiring



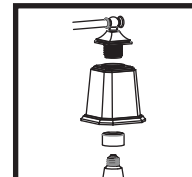
STEP 2

Fixture Body



STEP 3

Shade & Bulb

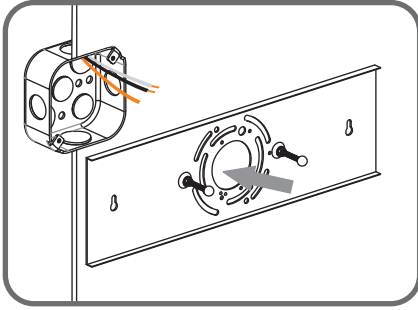


STEP 4

STEP 1

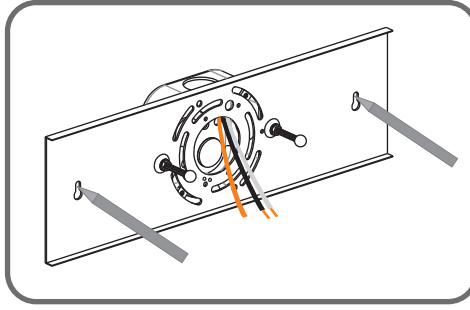
1

Fit inner backplate assembly to outlet box



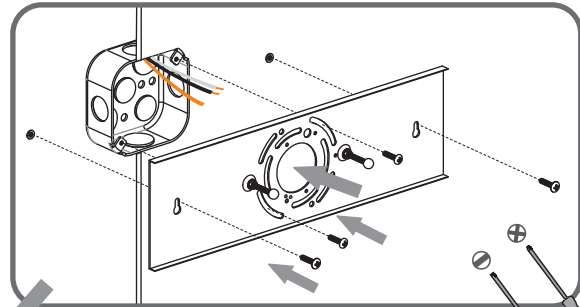
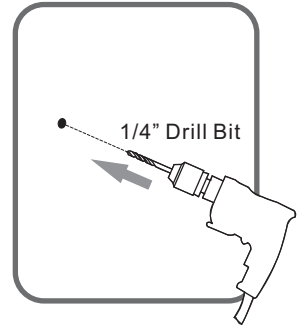
2

Mark anchor holes location on the wall



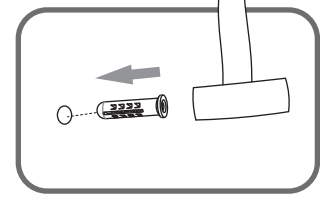
3

Drill holes for anchors from marks



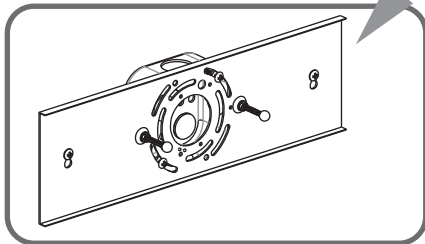
Install inner backplate assembly

5

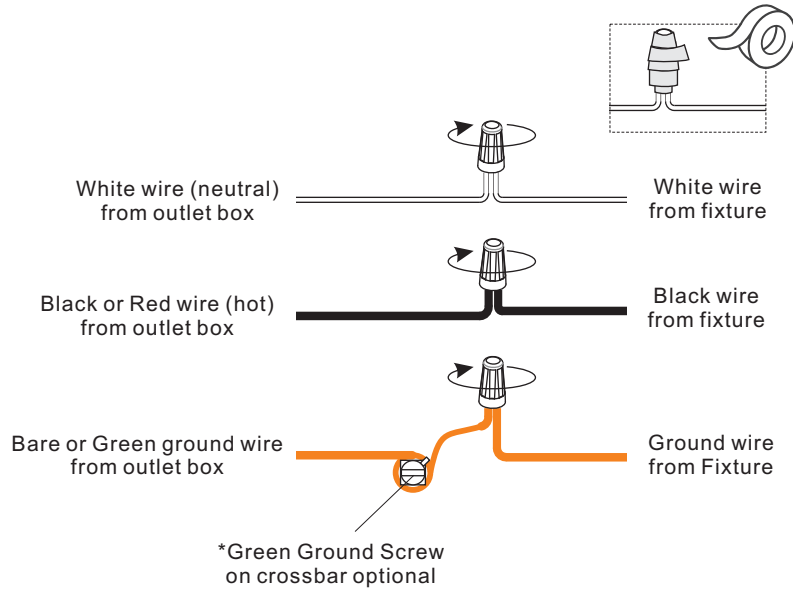


Install wall anchors

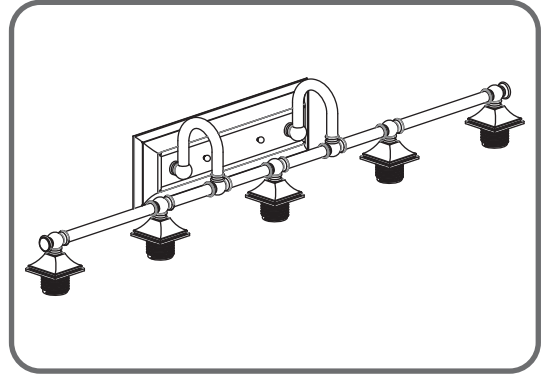
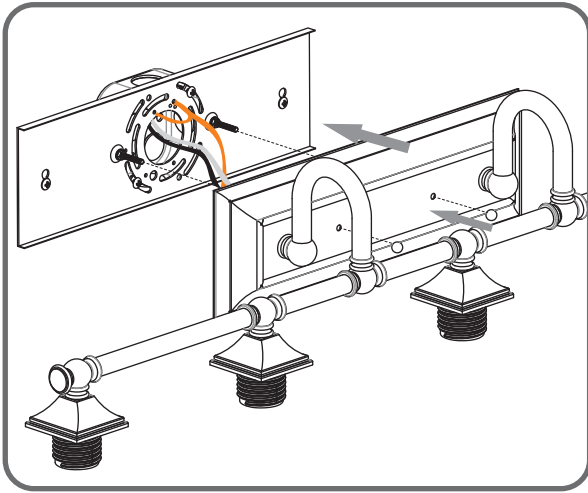
4



STEP 2



STEP 3



STEP 4

