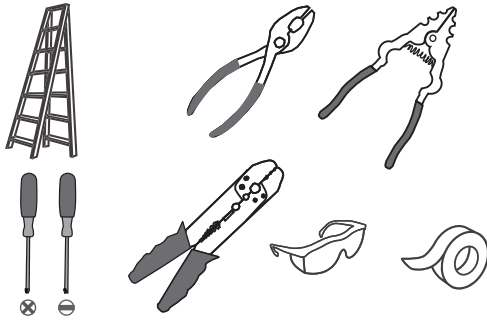
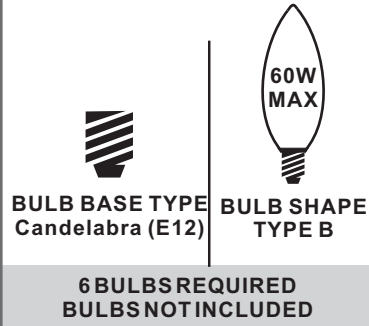


**Tools Required**



**Light Source**



**Fixture Height Adjustable  
27" to 75"**

**⚠ Warnings and Cautions**

Turn off the electricity at the circuit breaker before installation. Consult a licensed electrician if in doubt about installation.

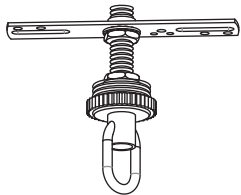
Turn off power to the fixture and allow the bulbs to cool before replacing.

**Package Contents**

**Preparation:** Identify and inspect all parts before beginning the installation.

Missing or damaged parts? Contact your original place of purchase.

**PARTS BAG**



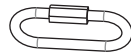
**A** Crossbar Assembly x 1



**B** Outlet Box Screw x 2



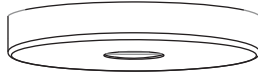
**C** Wire Connector x 3



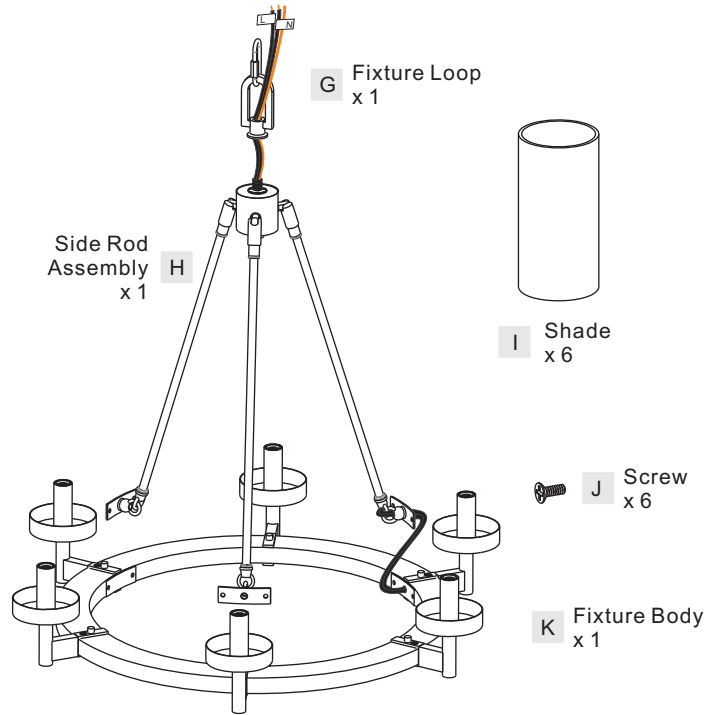
**D** Quick Link x 1



**E** Fixture Chain x 1

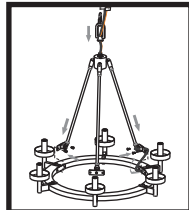


**F** Ceiling Canopy x 1



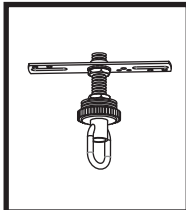
**Table of Contents**

**Side Rod Assembly & Fixture Loop**



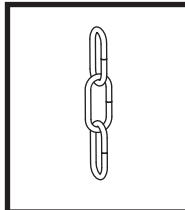
**STEP 1**

**Crossbar Assembly**



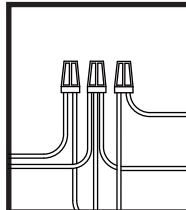
**STEP 2**

**Fixture Chain**



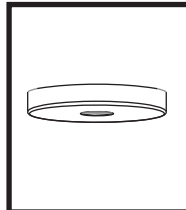
**STEP 3**

**Wiring**



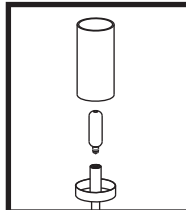
**STEP 4**

**Ceiling Canopy**



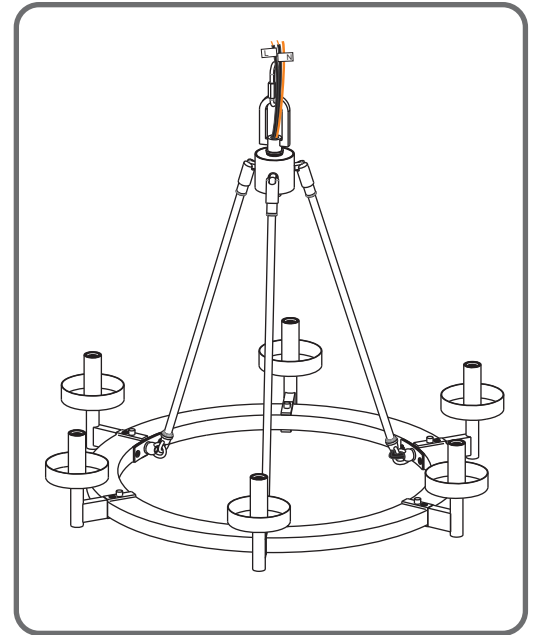
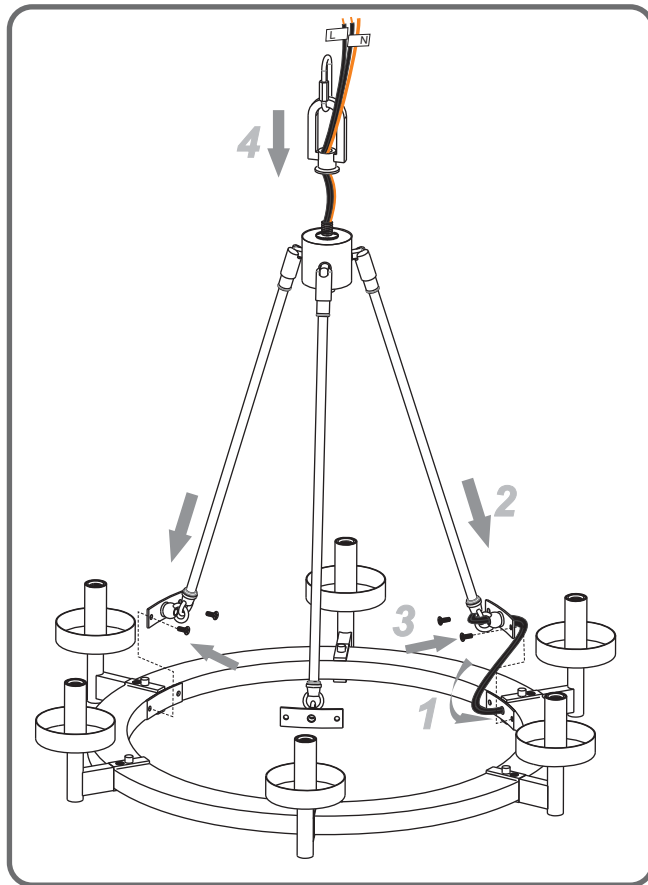
**STEP 5**

**Bulb & Shade**



**STEP 6**

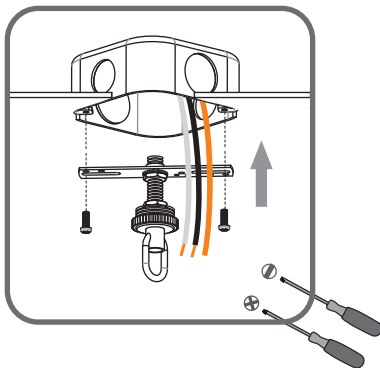
# STEP 1



# STEP 2

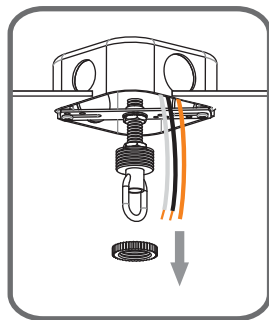
1

Step 1  
Install crossbar assembly

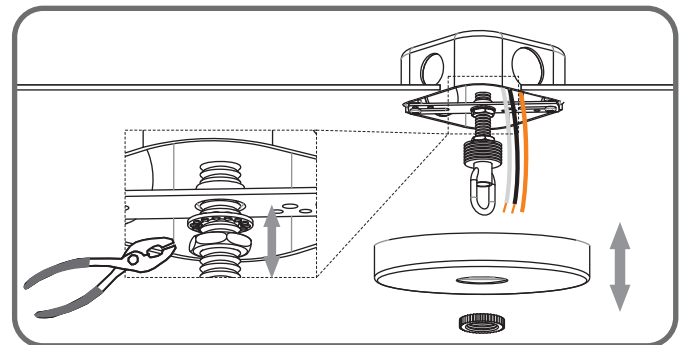


2

Step 2 - 3  
Test fitting ceiling canopy to nipple



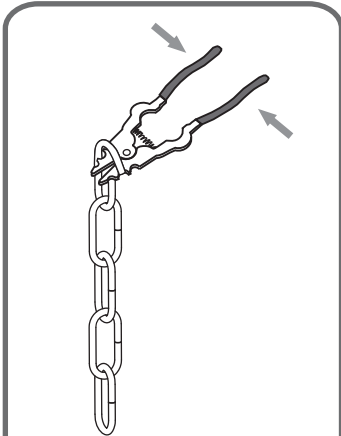
3



### STEP 3

1

Step 1  
Adjust fixture chain length

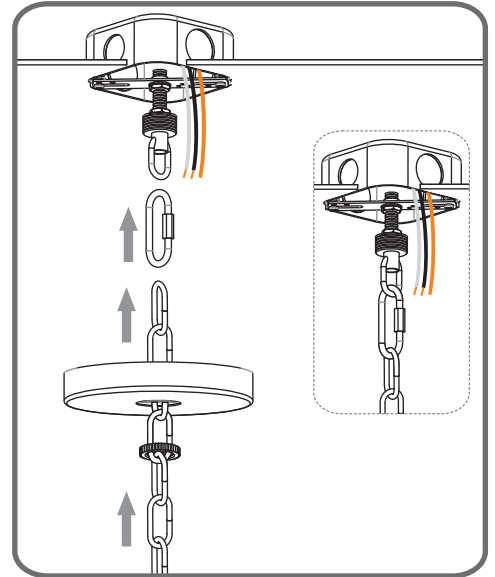
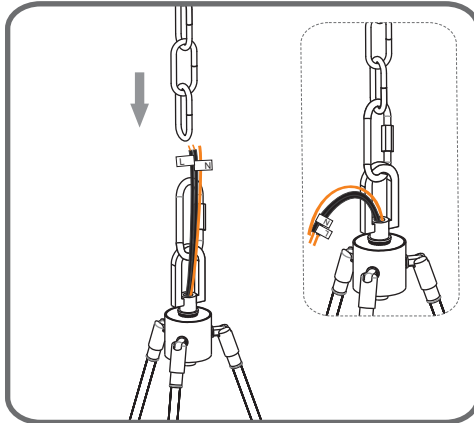


Suggested Chain Length:

- 8' ceiling: 9.5" Chain
- 9' ceiling: 10.5" Chain
- 10' ceiling: 21.5" Chain

2

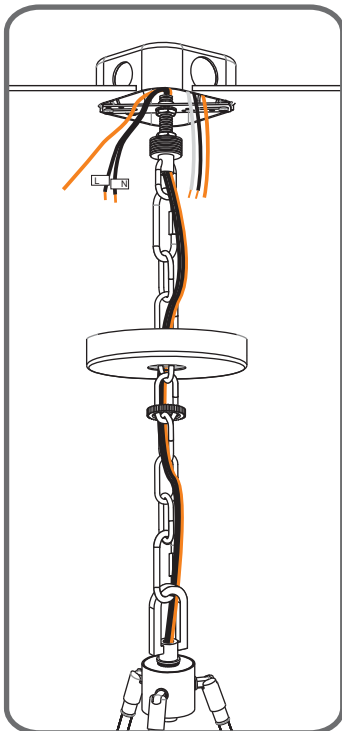
Step 2 - 3  
Install Fixture Chain



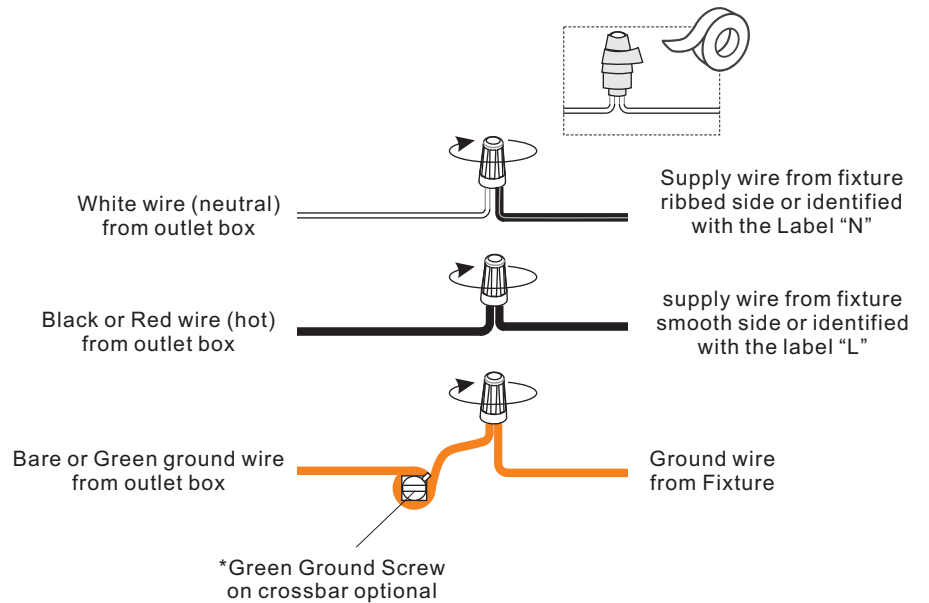
### STEP 4

1

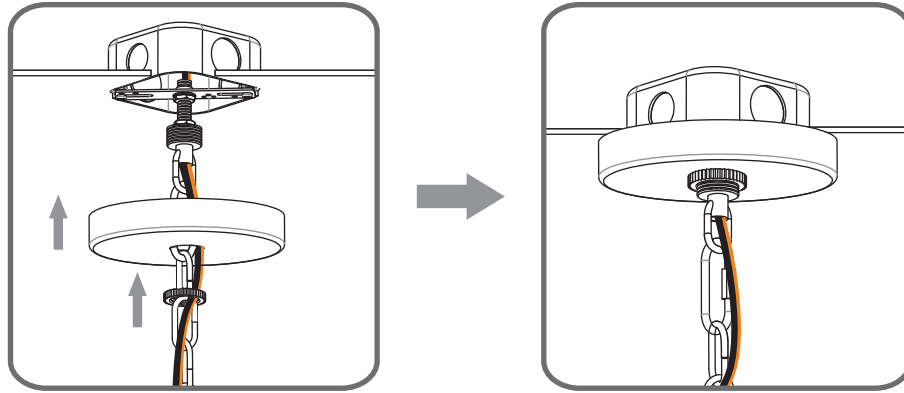
Step 1  
Feed the fixture wires through the loop



2



**STEP 5**



**STEP 6**

