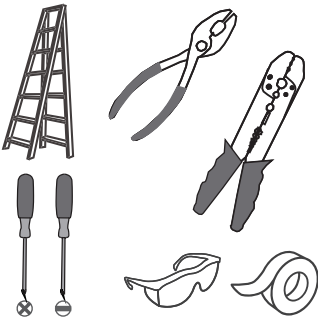
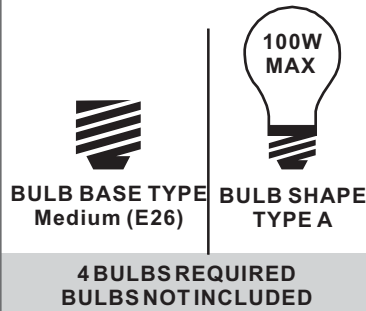


Tools Required



Light Source



Warnings and Cautions

Turn off the electricity at the circuit breaker before installation. Consult a licensed electrician if in doubt about installation.

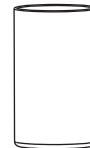
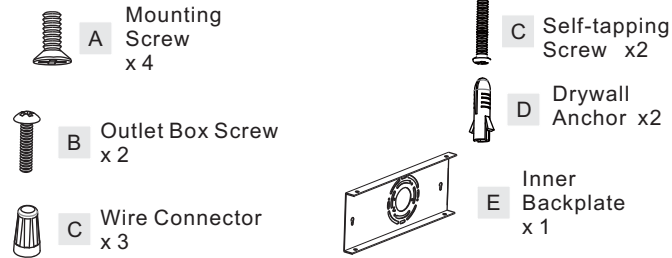
Turn off power to the fixture and allow the bulbs to cool before replacing.

Package Contents

Preparation: Identify and inspect all parts before beginning the installation.

Missing or damaged parts? Contact your original place of purchase.

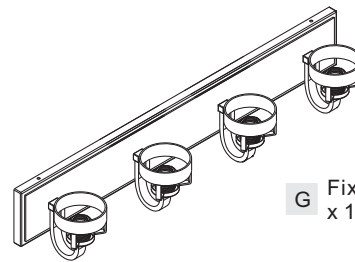
PARTS BAG



F Shade x 4



H Socket Collar Tool x 1

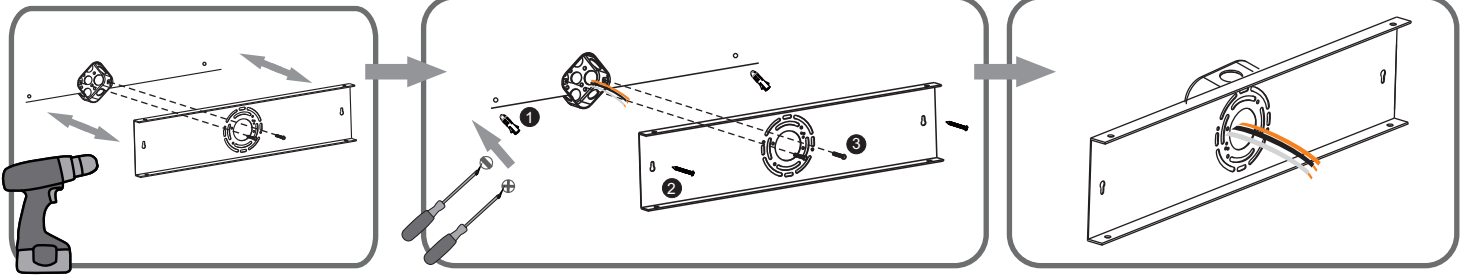


G Fixture Body x 1

Table of Contents

| Inner Backplate | Shade & Bulb | Wiring | Fixture Body | Shade & Bulb |
|-----------------|--------------|--------|--------------|--------------|
| | | | | |
| STEP 1 | STEP 2 | STEP 3 | STEP 4 | STEP 5 |

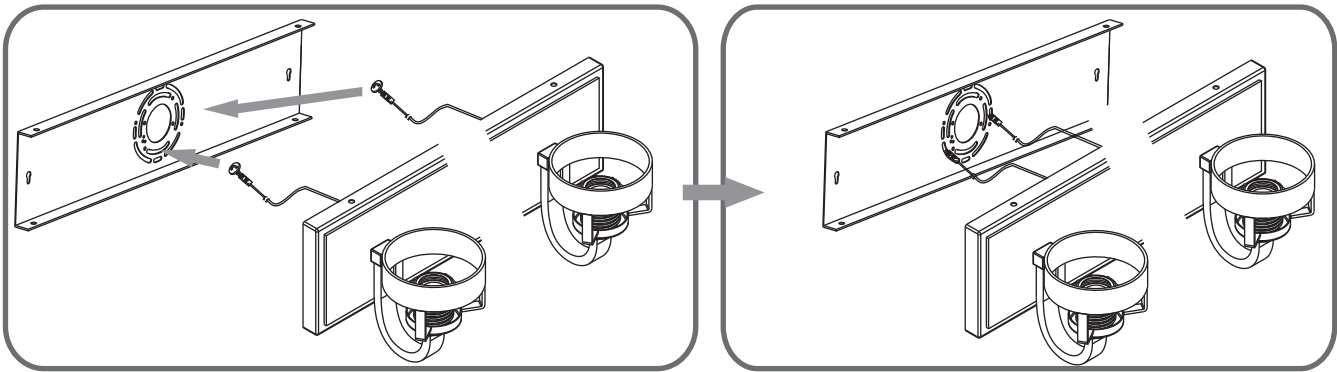
STEP 1



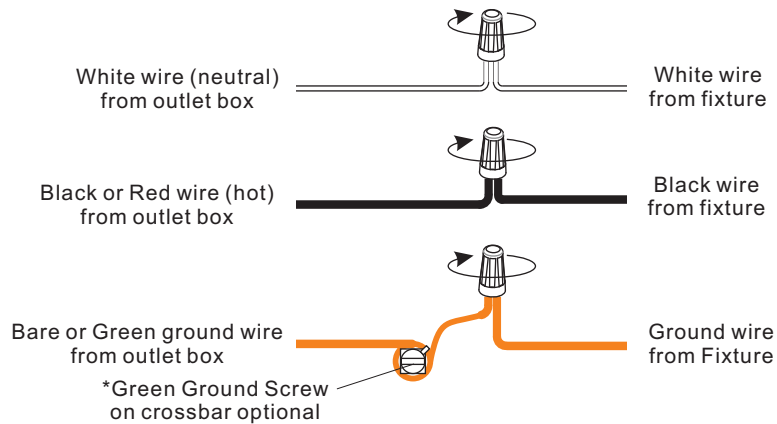
Using a pencil (not included), mark the locations on the wall that correspond with the holes on inner backplate. Using a 5/16-inch drill bit (not included), drill pilot holes at marked locations.

For drywall installations, insert wall anchors into the holes. Otherwise, secure crossbar assembly using self-tapping screws. Then, fully tighten the outlet box screws. **CAUTION:** Do not overtighten the screws as damage to the bracket could occur.

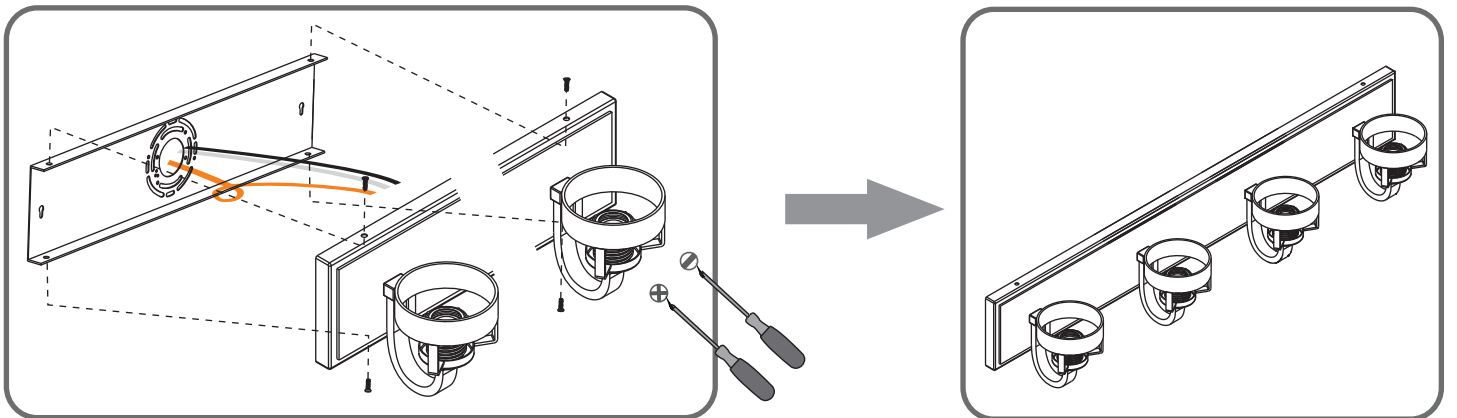
STEP 2



STEP 3



STEP 4



STEP 5

1

2

