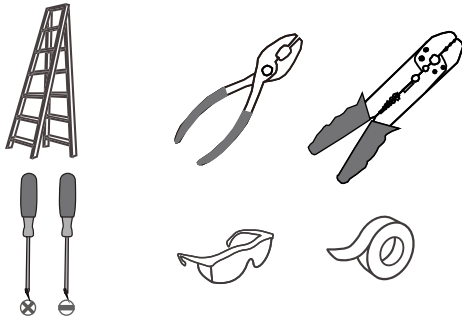
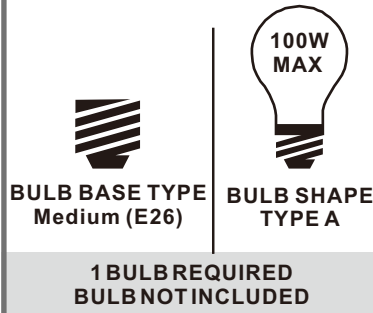


Tools Required



Light Source



**Fixture Height Adjustable
12" to 50"**

⚠ Warnings and Cautions

Turn off the electricity at the circuit breaker before installation. Consult a licensed electrician if in doubt about installation.

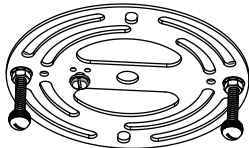
Turn off power to the fixture and allow the bulbs to cool before replacing.

Package Contents

Preparation: Identify and inspect all parts before beginning the installation.

Missing or damaged parts? Contact your original place of purchase.

PARTS BAG



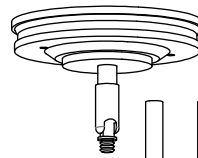
A Crossbar Assembly x 1



B Outlet Box Screw x 2



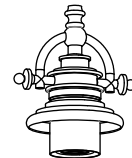
C Wire Connector x 3



D Ceiling Canopy Assembly x 1

E 6" L Rod x 2

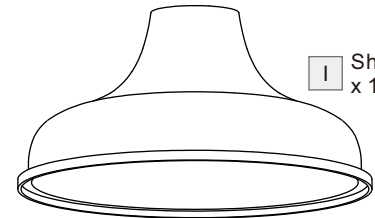
F 12" L Rod x 2



G Fixture Body x 1



H Ring x 1



I Shade x 1

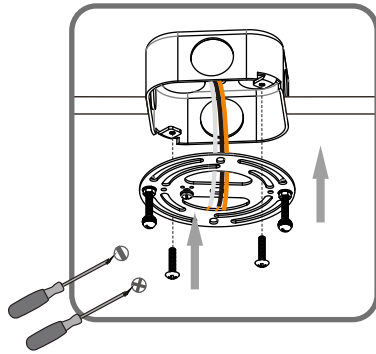
Table of Contents

| Crossbar Assembly | Ceiling Canopy Assembly & Downrod | Wiring | Ceiling Canopy | Ring & shade | Bulb |
|-------------------|-----------------------------------|---------------|----------------|---------------|---------------|
| | | | | | |
| STEP 1 | STEP 2 | STEP 3 | STEP 4 | STEP 5 | STEP 6 |

STEP 1

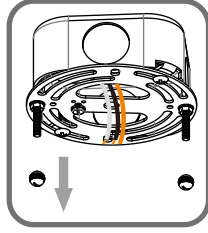
1

Step 1
Install crossbar assembly

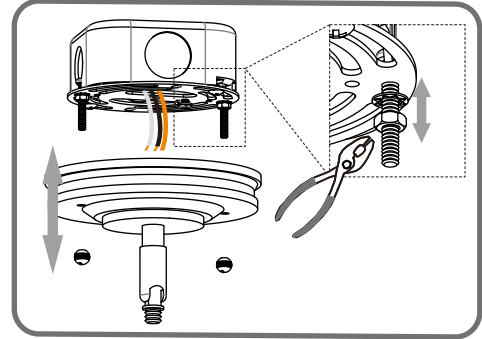


2

Step 2 - 3
Test fitting ceiling canopy to mounting screws



3



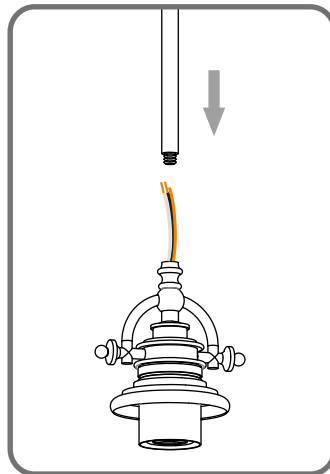
STEP 2

OPTION 1

Pendant — GRTS2814PN

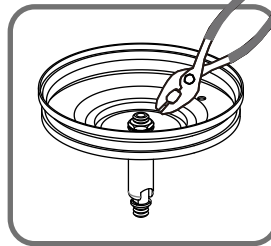
1

Install rods



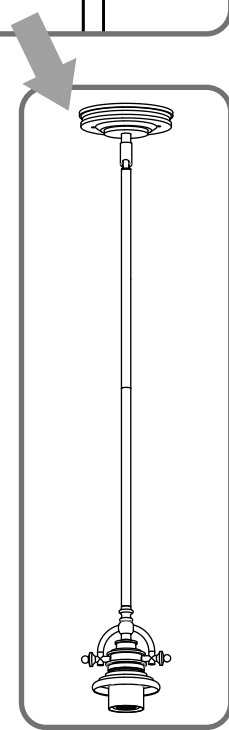
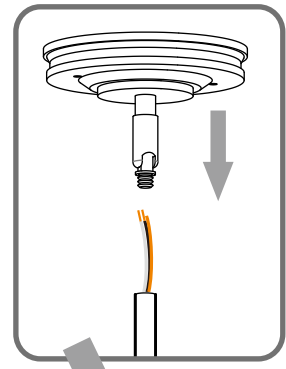
2

Tighten hex nut inside of the ceiling canopy



3

Install Ceiling Canopy



Optional Rods

8' ceiling:
(2) 12" L rods

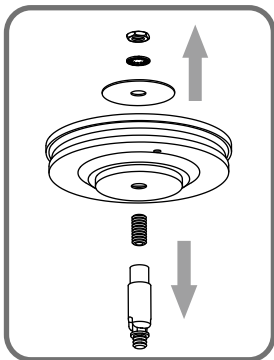
9' ceiling:
(2) 6" L + (2) 12" L rods

OPTION 2

Semi-flush — GRTS1714PN

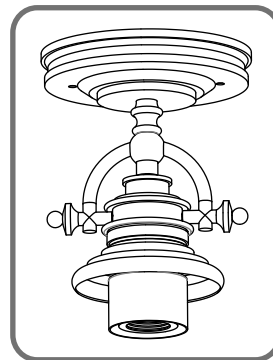
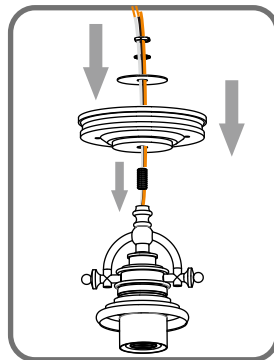
1

Remove swivel

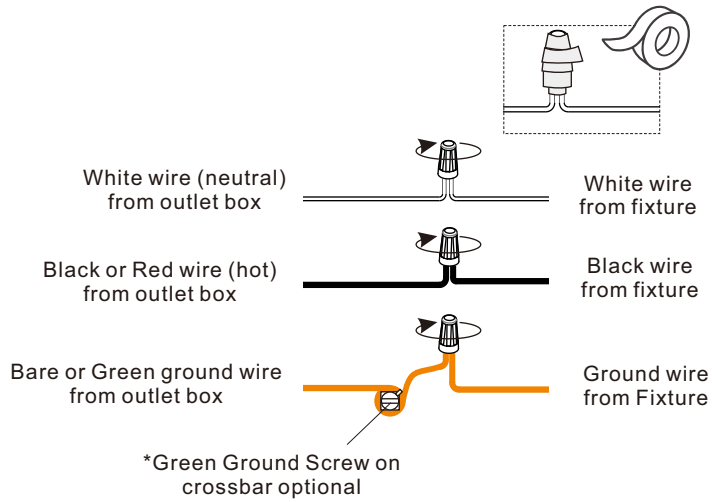


2

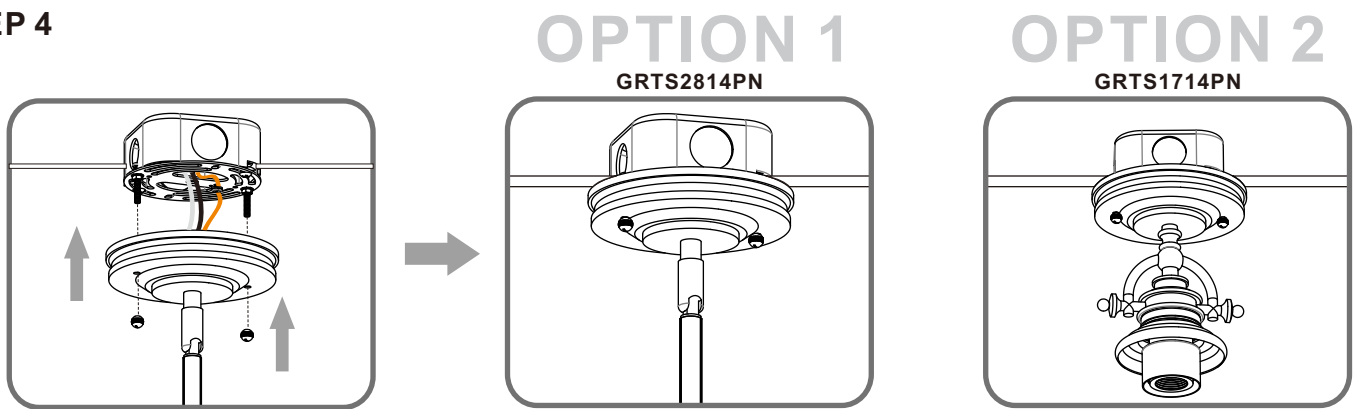
Install ceiling canopy



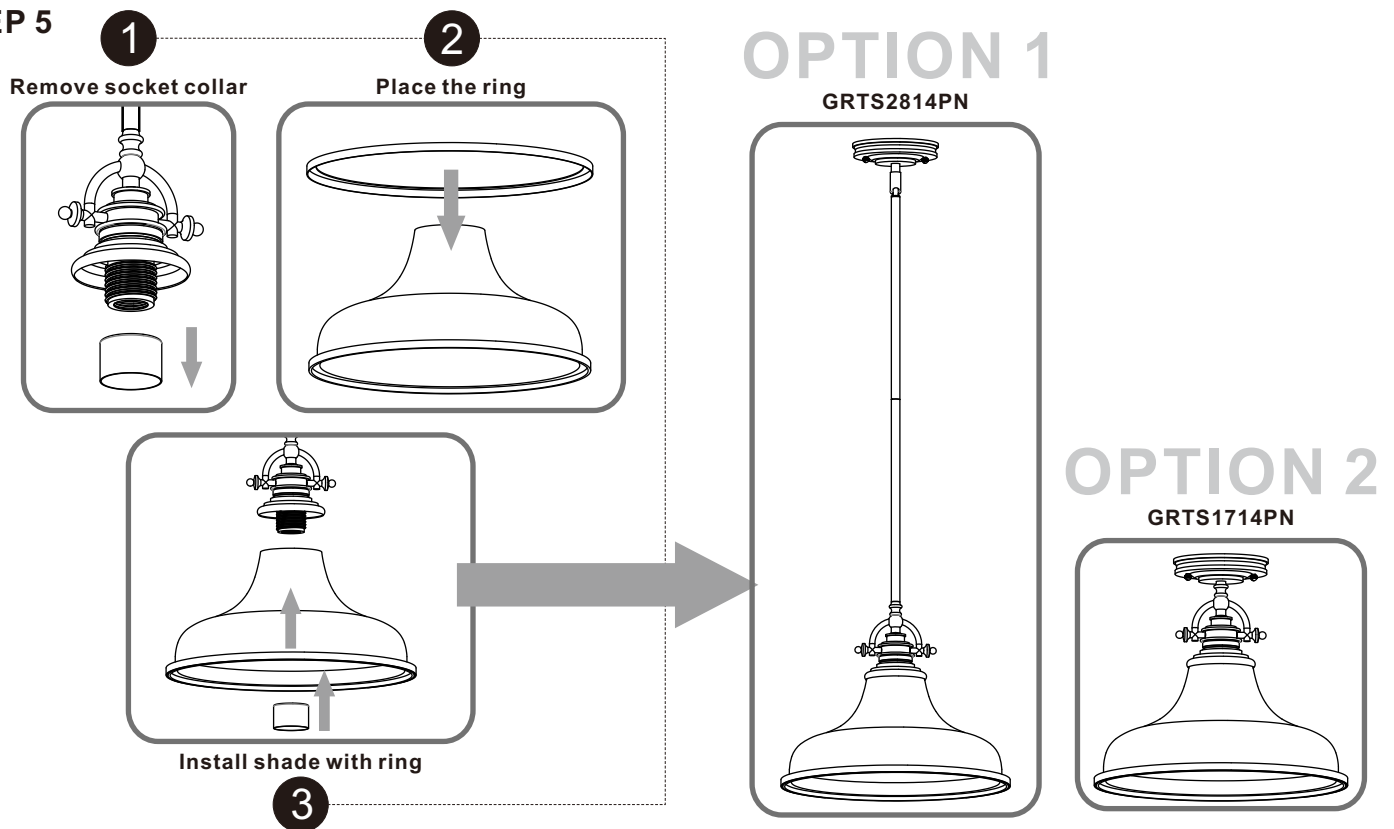
STEP 3



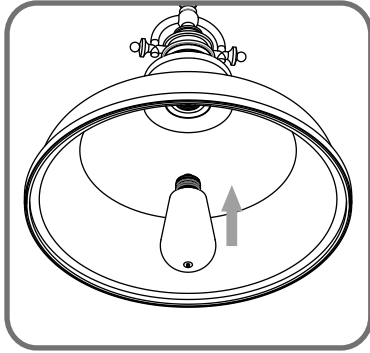
STEP 4



STEP 5

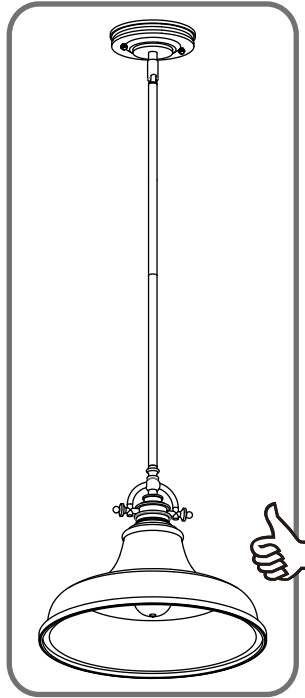


STEP 6



OPTION 1

GRTS2814PN



OPTION 2

GRTS1714PN

