

Please go to [www. quozel. com](http://www. quozel. com) for product cleaning tips. Go to the **Care + Maintenance** selection.

**Tools Required:** Flathead screwdriver, Phillips screwdriver, pliers, wire cutters, wire strippers, electrical tape, safety glasses.

**Light Source:** (6) B10 Candelabra Base Bulbs 60W Maximum or

(6) Candelabra Base T8 Vintage Bulbs are recommended but not supplied.

**Estimated Assembly Time:** 30-45 minutes

**Preparation:** Identify and inspect all parts before beginning installation. Check package content list and diagrams below to be sure all parts are present. If any parts are missing or damaged, do not attempt to assemble, install, or operate the fixture. Contact customer service for replacement parts.

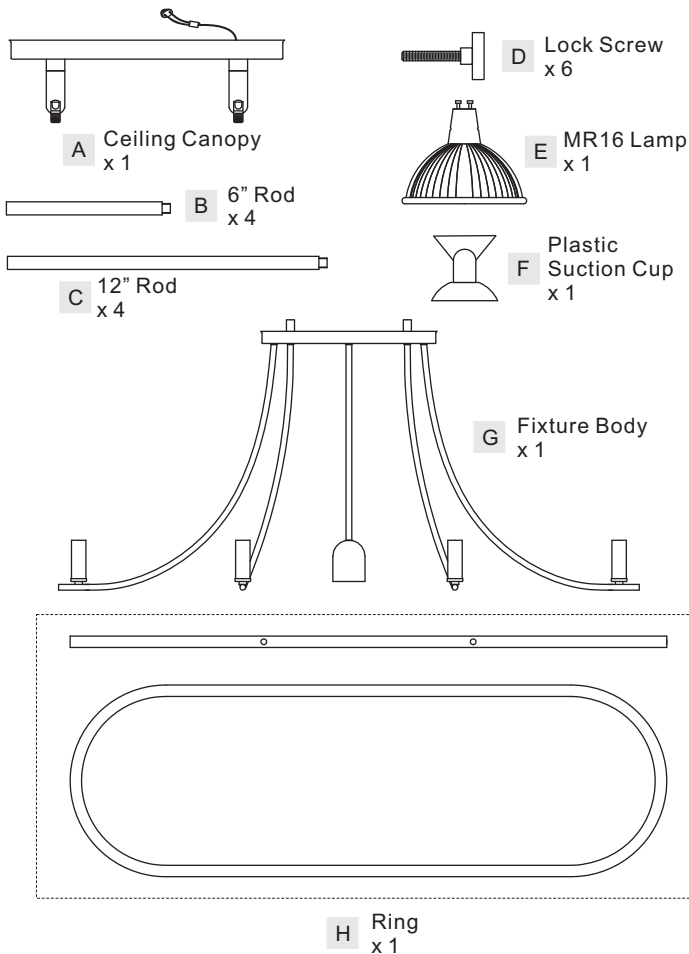
### ⚠ Warnings and Cautions

Turn off electricity at circuit breaker or main fuse box before installation. Consult a licensed electrician if in doubt.

These instructions are provided for your safety. It is very important you read them completely before installing the fixture. We strongly recommend that a licensed, professional electrician perform the installation.

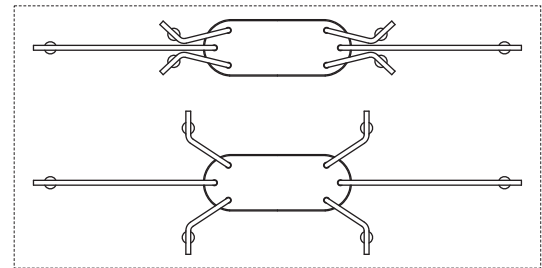
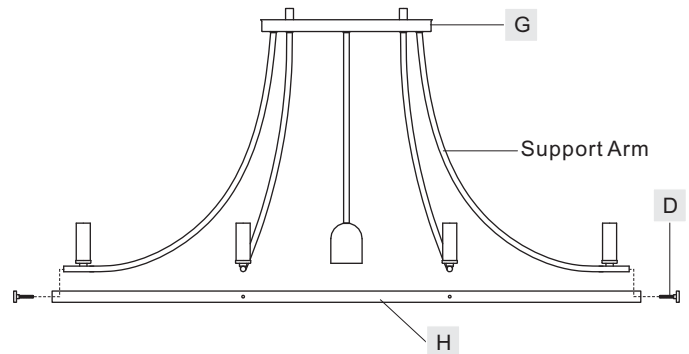
Disconnect fixture from power source before replacing bulbs. Make sure bulbs are given sufficient time to cool before removal.

### Package Contents



### STEP 1 – Install Ring to Fixture Body

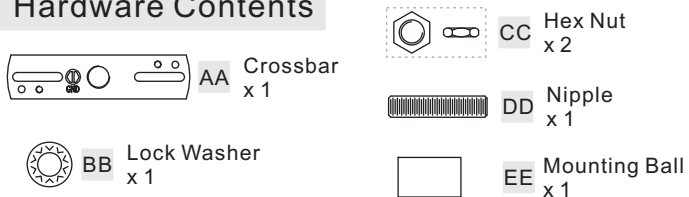
- (Refer to SUPPORT ARM DISTRIBUTION) Unfold support arms of the Fixture Body (G) to proper locations.
- Attach the Ring (H) to the Fixture Body (G) and align the holes on the Ring (H) to the ends of support arms. Secure by threading Lock Screws (D) into the ends of support arms. Hand tighten until snug.



**SUPPORT ARMS DISTRIBUTION**

Figure 1

### Hardware Contents



### STEP 2 – Assemble the Rods and the Fixture Loop

- Determine the Rods (B/C) to be assembled to the Fixture Body (G) according to your hanging height.
- Pass the supply wires and ground wire through the chosen rods (B/C). Thread the Fixture Body (G) and the chosen Rods (B/C) together. Hand tighten until snug.

Suggested rods for Ceiling height :  
8' ceiling: use (1) 6" rod and (1) 12" rod

**Thank you for purchasing a Quoizel product.**  
Need assistance with parts or assembly? Call Quoizel customer service at 1-800-645-3184  
or visit us on-line at [www. quozel. com](http://www. quozel. com)

**(Step 2 Continued)**

9' ceiling: use (1) 6" rod and (2) 12" rods  
 10' ceiling: use (2) 6" rods and (2) 12" rods

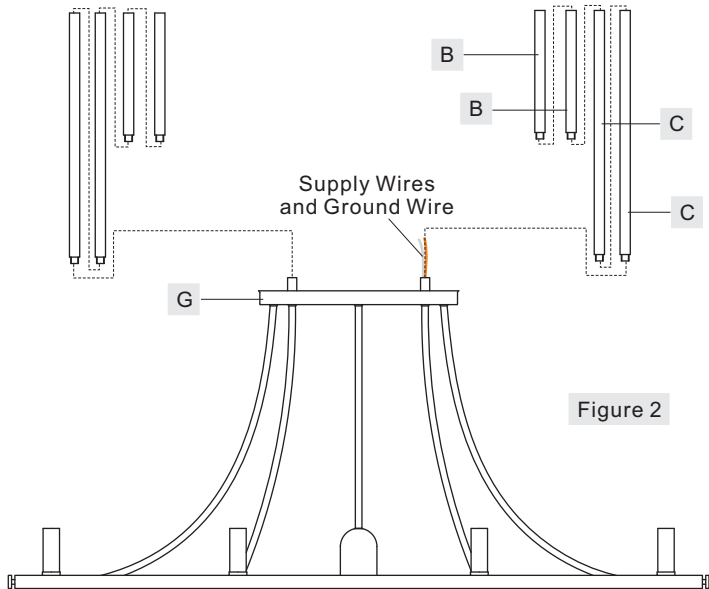


Figure 2

**STEP 3 - Install Ceiling Canopy to Upper Rods**

- A. Unlock hex nuts inside of the ceiling canopy and remove swivels.
- B. Pass supply wires and ground wire through one swivel, the ceiling canopy, the lanyard, one lock washer and one hex nut in turn.
- C. Thread swivels onto the upper rods and hand tighten until snug.
- D. Place the ceiling canopy, lanyard, and lock washers onto swivels and secure with hex nuts. Hand tighten until snug.

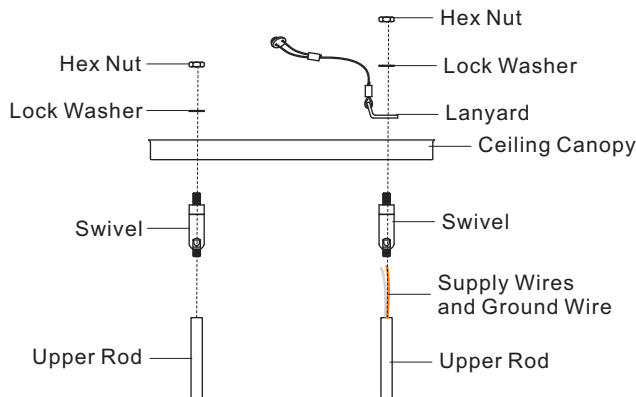


Figure 3

**STEP 4 - Install the Crossbar to the junction box**

- A. Attach the Crossbar (AA) to the Outlet Box with the head of the Green Ground Screw facing you. Secure it with Outlet Box Screws (not included), tighten until snug.

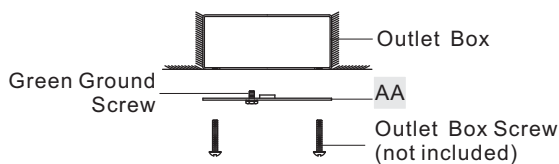


Figure 4

**STEP 5 - Install the Nipple to the Crossbar**

- A. Thread one Hex Nut (CC) to the middle of the Nipple (DD). Place the Lock Washer (BB) over the Nipple (DD) and then thread the Nipple (DD) into the Crossbar (AA) until the Nipple (DD) is about 0.375" above the Crossbar (AA).
- B. Place the Ceiling Canopy (A) over the Nipple (DD) against the ceiling to determine the correct position of the Nipple (DD). Thread the Lock Ball (EE) onto the Nipple (DD). Adjust the Nipple (DD) to allow the Ceiling Canopy (A) to rest against the ceiling when held in place by the Lock Ball (EE).
- C. Remove the Ceiling Canopy (A) and then tighten the Hex Nut (CC) against the Crossbar (AA) to secure in place.

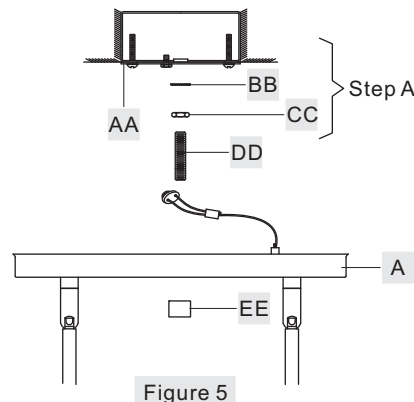


Figure 5

**STEP 6 - Attach Lanyard**

- A. The purpose of the lanyard is to provide the installer a means to support the fixture from the junction box while connecting the electrical wires. This enables the fixture to hang from the junction box and your hands are free to make the wire connections.
- B. Turn the Button Stop so it may be inserted into the Crossbar slot. Make sure the Button Stop is completely inside the Crossbar. Slowly release the fixture to make sure it is supported by the Button Stop. Proceed to the wiring steps in the next step. Once you are complete with the wiring there is nothing to do with Lanyard. The Lanyard will push into the junction box when the fixture is placed for final mounting.

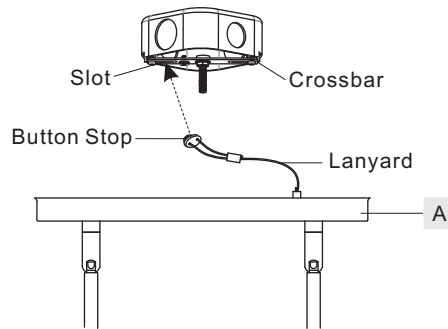


Figure 6

**STEP 7 - Wire Connections**

- A. Use standard wire connectors (not included) to make all wire connections. Twist connectors until wires are tightly joined together. Wrap each connection with approved electrical tape and carefully stuff all the connected wires into the Outlet Box.

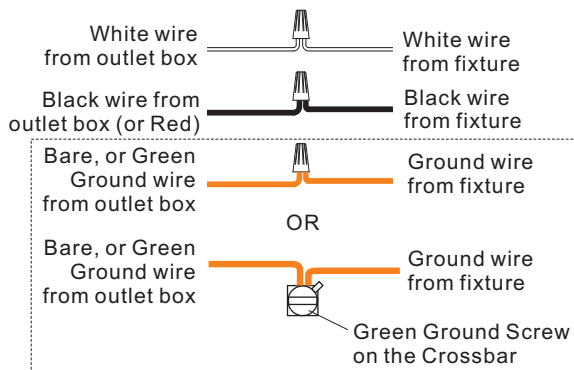


Figure 7

Thank you for purchasing a Quoizel product.  
 Need assistance with parts or assembly? Call Quoizel customer service at 1-800-645-3184  
 or visit us on-line at [www.quoise.com](http://www.quoise.com)

**STEP 8 - Install Ceiling Canopy to Ceiling**

- A. Attach the Ceiling Canopy (A) over the end of the Nipple (DD) and secure with the Hex Nut (CC). Hand tighten until snug.
- B. Thread the Mounting Ball (EE) onto the end of the Nipple (DD) and hand tighten until snug.

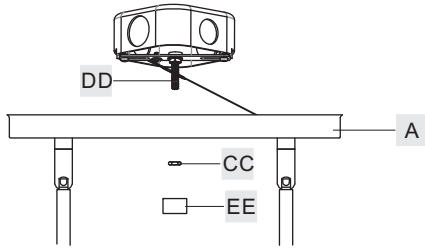


Figure 8

**STEP 9 - Install Bulbs**

- A. Attach the Plastic Suction Cup (F) to the MR16 Lamp (E) and insert the MR16 Lamp (E) onto the socket in the center of the Fixture Body (G). Rotate the MR16 Lamp (E) until it is engaged by the socket.
- B. Remove the Plastic Suction Cup (F) from MR16 Lamp (E).
- C. Insert bulbs onto sockets on the support arms and screw snugly into place.

Your fixture is now assembled and ready to use. Enjoy!

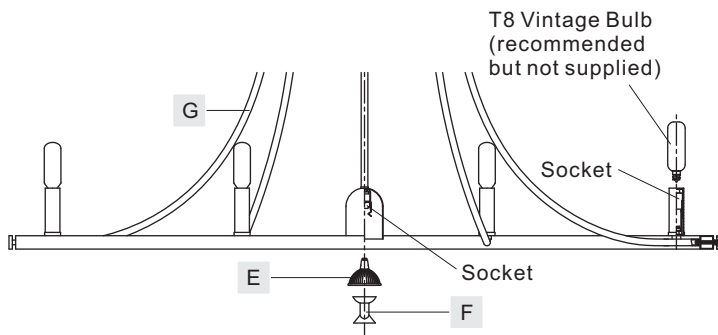
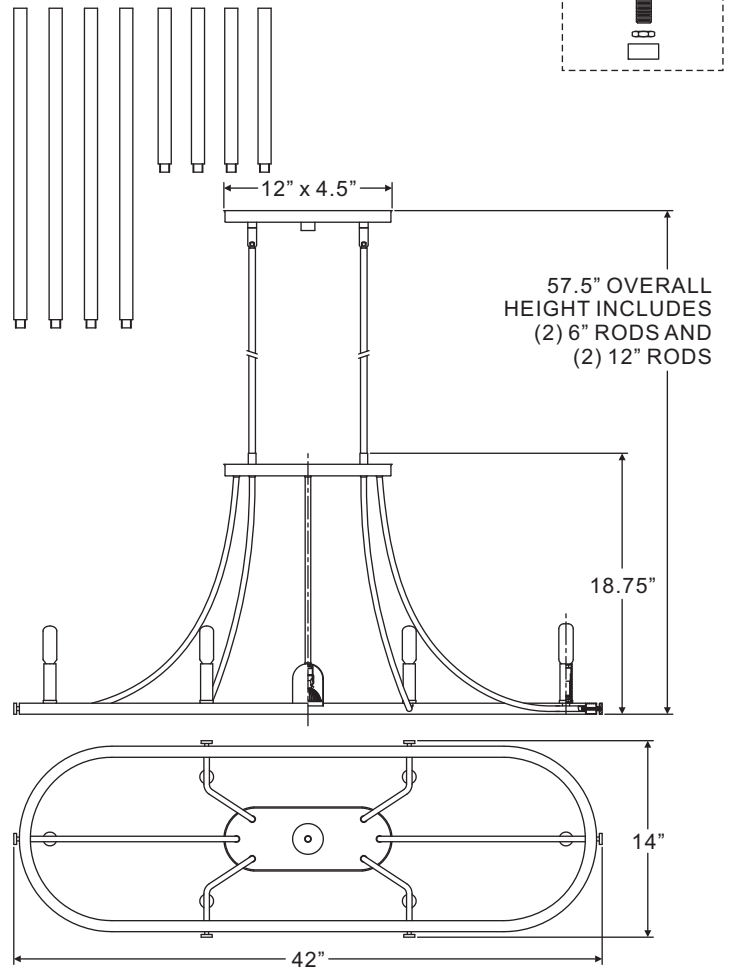
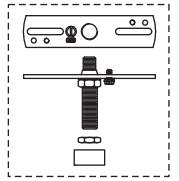


Figure 9

BLD642DC

FINISH: DARK CHERRY



NOTE: ALL DIMENSIONS ARE ROUNDED UP TO THE NEAREST 1/4"

Thank you for purchasing a Quoizel product.  
 Need assistance with parts or assembly? Call Quoizel customer service at 1-800-645-3184  
 or visit us on-line at [www.quoise.com](http://www.quoise.com)