

Please go to www. quozel. com for product cleaning tips. Go to the **Care + Maintenance** selection.

Tools Required: Flathead screwdriver, Phillips screwdriver, pliers, wire cutters, wire strippers, electrical tape, safety glasses.

Light Source: (4) A19 Medium Base Bulbs 100W Maximum.

Estimated Assembly Time: 30-45 minutes

Preparation: Identify and inspect all parts before beginning installation. Check package content list and diagrams below to be sure all parts are present. If any parts are missing or damaged, do not attempt to assemble, install, or operate the fixture. Contact customer service for replacement parts.

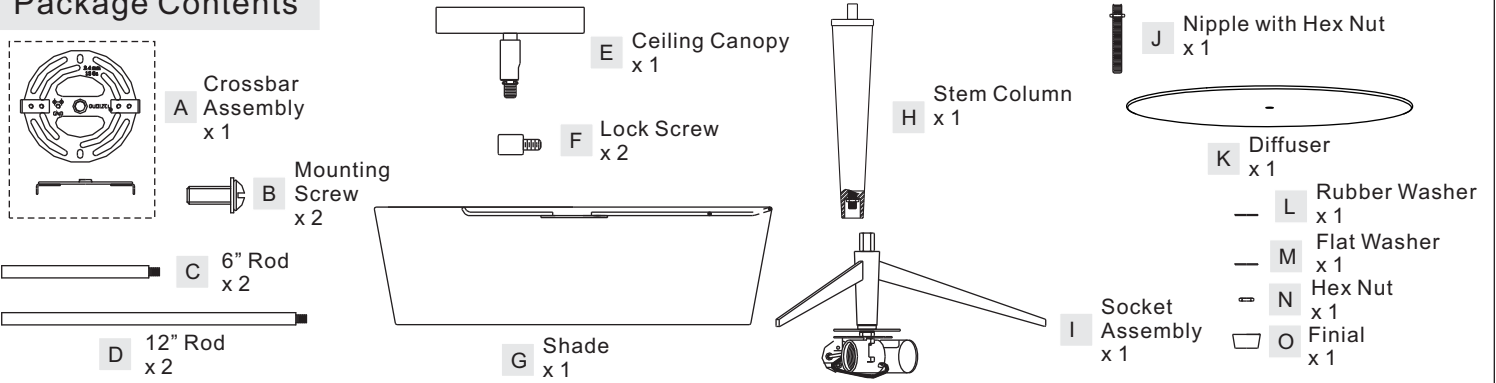
⚠ Warnings and Cautions

Turn off electricity at circuit breaker or main fuse box before installation. Consult a licensed electrician if in doubt.

These instructions are provided for your safety. It is very important you read them completely before installing the fixture. We strongly recommend that a licensed, professional electrician perform the installation.

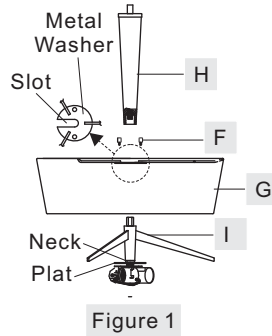
Disconnect fixture from power source before replacing bulbs. Make sure bulbs are given sufficient time to cool before removal.

Package Contents



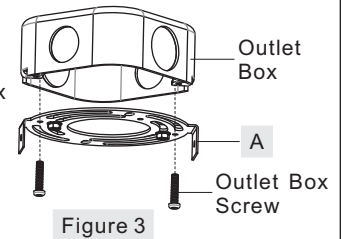
STEP 1 - Install Center Column, Shade and Socket Assembly together

- Thread Stem Column (H) into the hex coupling of Socket Assembly (I). Hand tighten until snug.
- Pass the slot on the metal washer of the Shade (G) over the neck of the socket assembly (I). Align holes on the metal washer of the Shade (G) to mounting holes on the plate of socket assembly (I). Secure by threading Lock Screw (F) into mounting holes and hand tighten until snug.



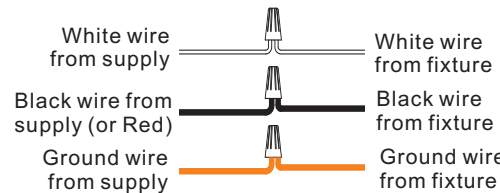
STEP 3 - Attach Crossbar to Outlet Box

- Attach the Crossbar (A) to Outlet Box and secure by threading Outlet Box Screws (not supplied) into the Mounting Holes on the Outlet Box. Tighten until snug.



STEP 4 - Wire Connections

- Use standard wire connectors (not included) to make all wire connections. Twist connectors until wires are tightly joined together. Wrap each connection with approved electrical tape and carefully stuff all the connected wires into the Outlet Box.

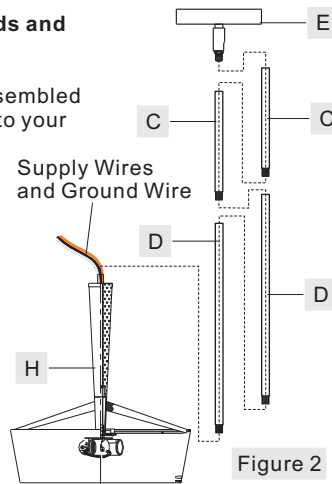


STEP 2 - Install Ceiling Canopy, Rods and Stem Column together

- Determine the Rods (C/D) to be assembled to the Stem Column (H) according to your hanging height.
- Pass the supply wires and ground wire through the chosen rods (C/D) and the Ceiling Canopy (E). Thread the Stem Column (H), the chosen Rods (C/D) and the Ceiling Canopy (E) together. Hand tighten until snug.

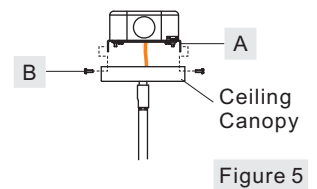
Suggested rods for Ceiling height :

- 8' ceiling : use (1) 12" rods
- 9' ceiling : use (2) 12" rods
- 10' ceiling : use (2) 6" rods and (2) 12" rods



STEP 5 - Attach Ceiling Canopy to Crossbar

- Line up the holes on the side of the ceiling canopy to the mounting holes on the Crossbar (A). Secure them with Mounting Screws (B). Tighten until snug.



Thank you for purchasing a Quoizel product.
Need assistance with parts or assembly? Call Quoizel customer service at 1-800-645-3184
or visit us on-line at www. quozel. com

STEP 6 - Install Diffuse and Bulbs

- A. Thread the Hex Nut end of the Nipple with Hex Nut (J) into the hex coupling underside of Socket Assembly (I). By using pliers, thread the hex nut against the hex coupling and hand tighten until snug.
- B. Place the Diffuse (K), Rubber Washer (L) and Flat Washer (M) over the end of the Nipple with Hex Nut (J) and secure with Hex Nut (N). Hand tighten until snug.
- C. Thread the Finial (O) onto the Nipple with Hex Nut (J). Hand tighten until snug.
- D. Insert bulbs into sockets and screw snugly into place.

Your fixture is now assembled and ready to use. Enjoy!

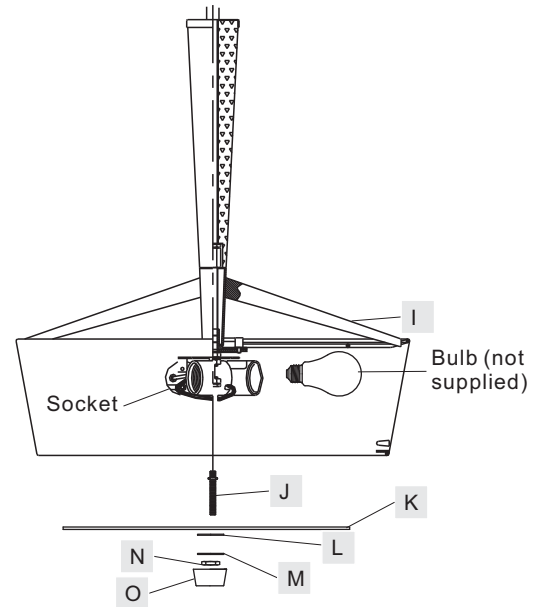
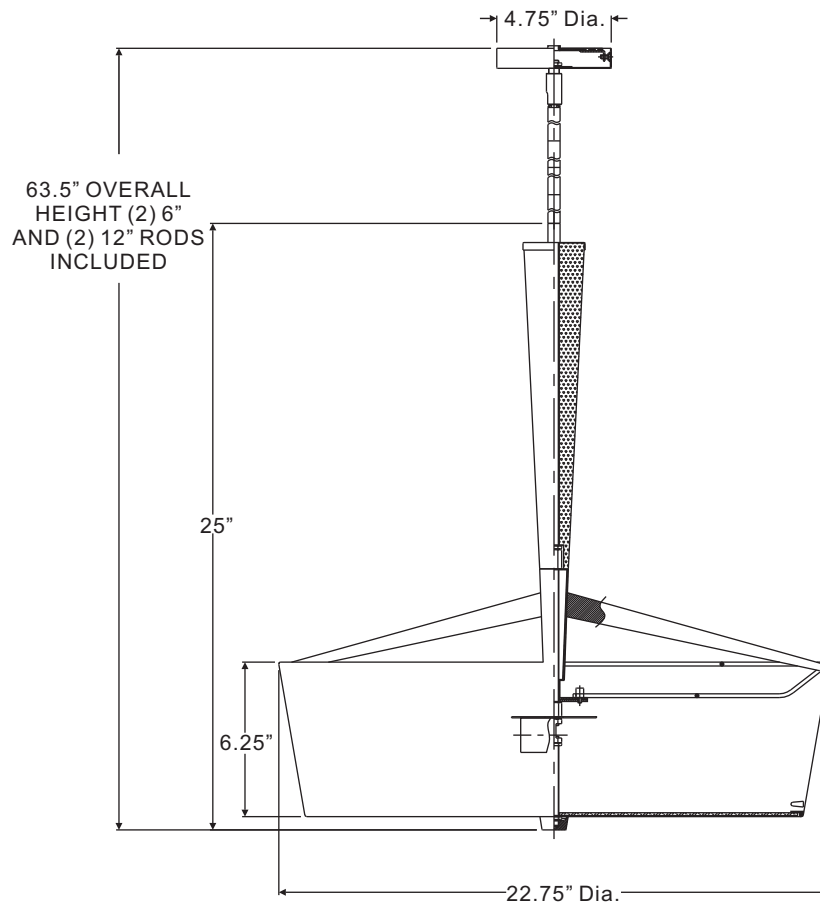
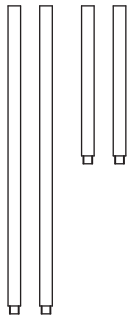
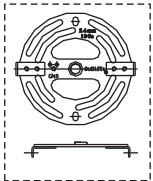


Figure 6

TPR2823C
FINISH: POLISHED CHROME

NOTE: ALL DIMENSIONS ARE ROUNDED UP TO THE NEAREST 1/4"



Thank you for purchasing a Quoizel product.
Need assistance with parts or assembly? Call Quoizel customer service at 1-800-645-3184
or visit us on-line at www.quoizel.com