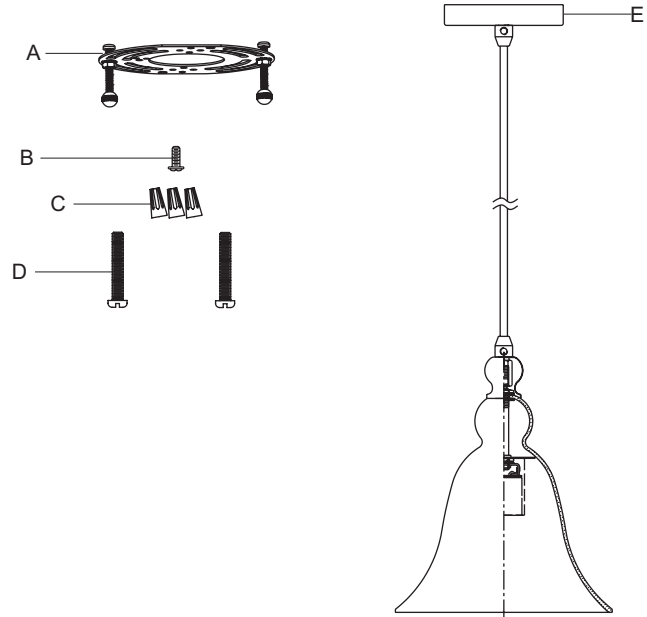


PACKAGE CONTENTS

ISSUED 05-2014

UM-TST2203A

PART	DESCRIPTION	QUANTITY
A	Crossbar Assembly (Pre-assembled to fixture body)	1 pc
B	Green Ground Screw (Pre-assembled to Crossbar)	1 pc
C	Wire Connector	3 pcs
D	Outlet Box Screw	2 pcs
E	Socket Assembly	1 pc



! WARNINGS AND CAUTIONS

WARNING:

- Before beginning the installation, turn off electricity at the circuit breaker box or the main fuse box by switching off the circuit breaker or removing the fuse.

CAUTION:

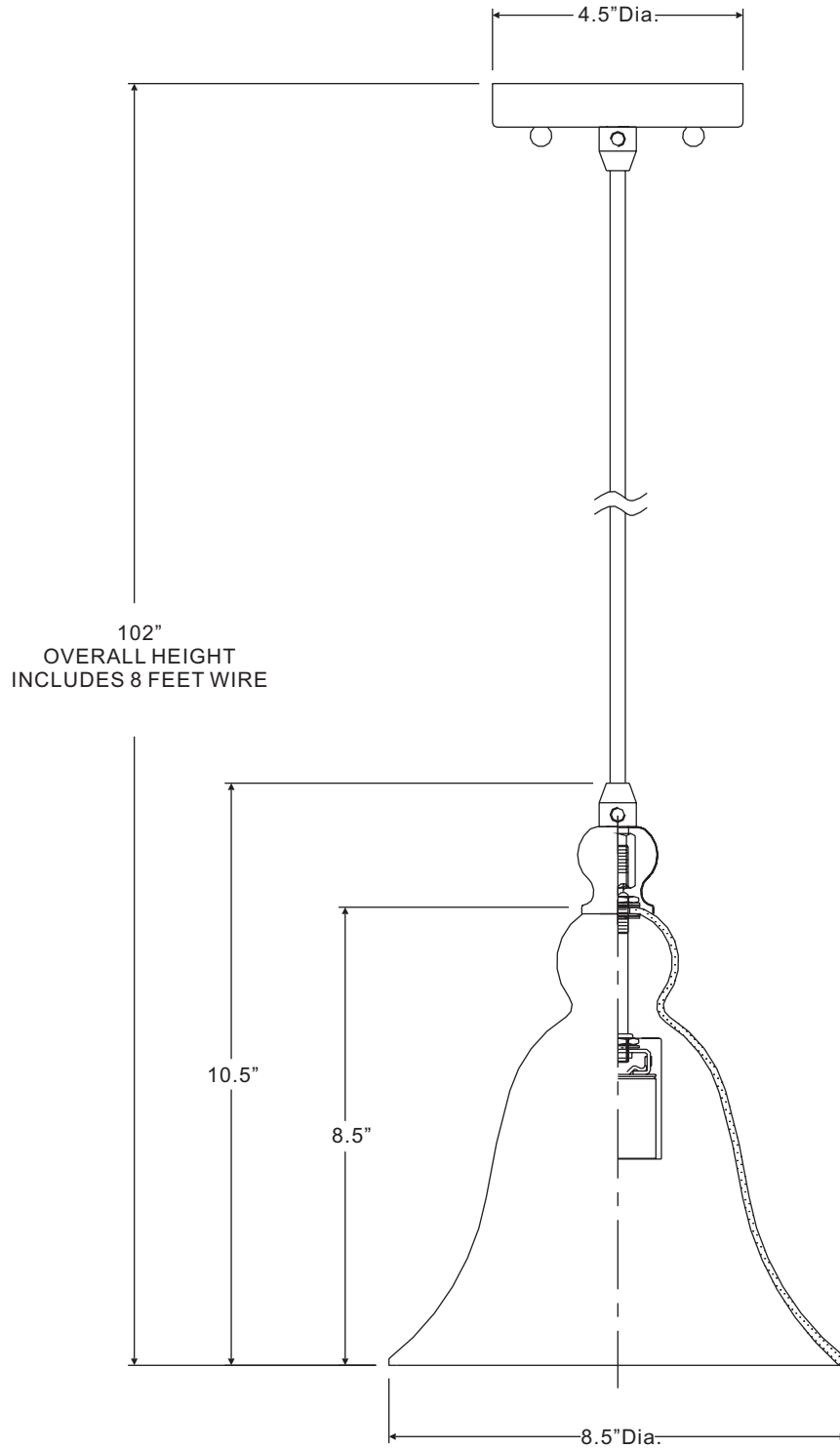
- These instructions are provided for your safety. It is very important that they are read completely before the installation of your fixture. We strongly recommend that a professional electrician install the fixture.
- Disconnect fixture from the power source before replacing the bulb(s), making sure that bulb(s) had sufficient time to cool down. DO NOT subject the lamp to any shock while lit as shattering of lamp may result.
- Do not touch the bulb with bare hands use a cloth or glove.

PREPARATION

- Before beginning installation of product, make sure all parts are present. Compare parts with package contents list and diagram above. If any part is missing or damaged, do not attempt to assemble, install or operate the product. Contact customer service for replacement part.
- Estimated Assembly Time: 20 - 30 minutes
- **Bulb Recommended:** (1) Candelabra Base 100W Maximum, Alternate (1) CFL bulb.
- **Tools Required:** Flathead screwdriver, Phillips screwdriver, pliers, wire cutters, wire strippers, electrical tape, safety glasses.
- **Phone #:** 1-866-535-1869
- **E-mail:** customerservice@illuminadirect.com
- **website:** www.illuminadirect.com

TST2203A

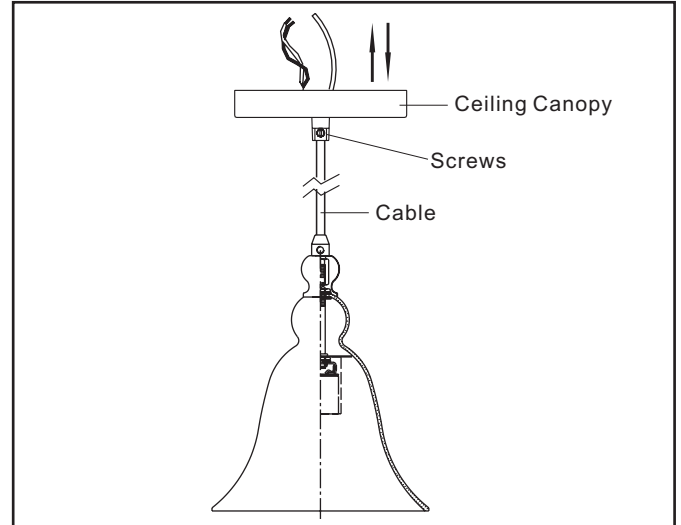
FINISH: MYSTIC BLACK



NOTE: ALL DIMENSIONS ARE ROUNDED UP TO THE NEAREST 1/2"

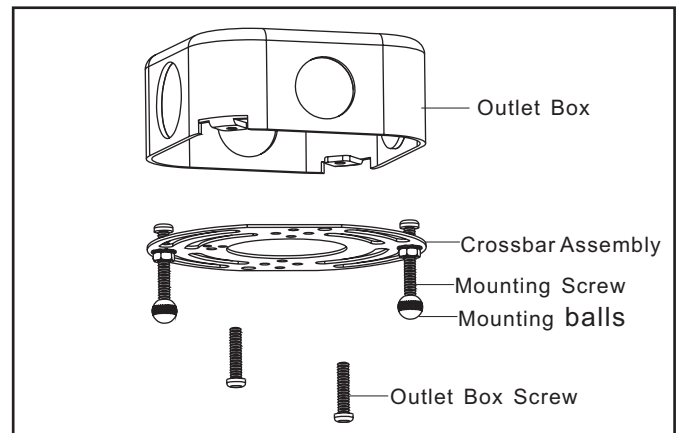
STEP 1:

- a. Adjust the Cable length by loosening the Screw on the bottom center of the Ceiling Canopy. Once the hanging height is achieved, tighten the Screw to secure the Cable.
- b. Suggested mounting height over a table or island is 30 inches from the table/island top to the bottom of the shade.



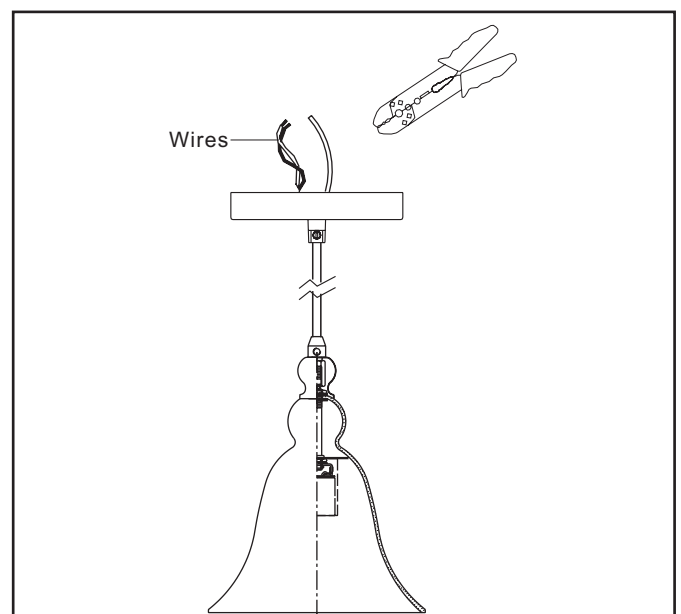
STEP 2:

- a. Remove the Crossbar Assembly from the Ceiling Canopy on the Socket Assembly as shown in STEP 5.
- b. Secure the Crossbar Assembly to the Outlet Box with Outlet Box Screws.
- c. Temporarily attach the ceiling canopy to the Mounting screws on the crossbar, securing with Mounting balls. If the ceiling canopy is not snug against the ceiling, remove it from the crossbar and adjust the length of the mounting screws by unscrewing the hex nuts. Screw the mounting screws in or out of the crossbar until the correct length is achieved, then re-attach the ceiling canopy.
- d. Check the mounting height. Readjust wire length to desired mounting height if needed. Refer to step one.
- e. Once the ceiling canopy is secure and desired mounting height achieved, remove Mounting balls and ceiling canopy and continue to the next step.



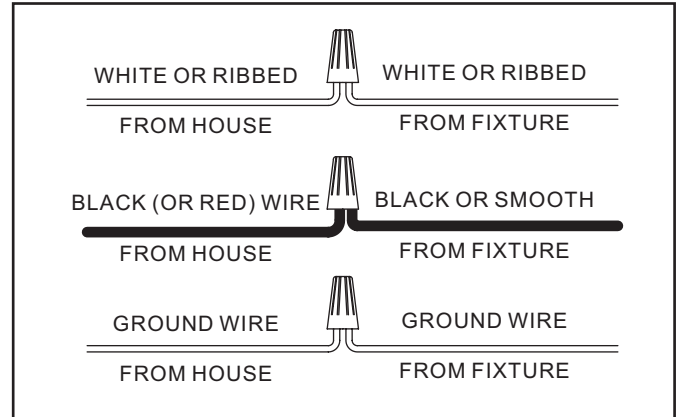
STEP 3:

- a. Cut the wire leaving approximately 10 inches of wire extending from the Canopy. Remove 4 inches of the outer sleeve and strip the ends of the individual wires. **IMPORTANT:** Please pay attention to the polarity of Wires when cutting wires.



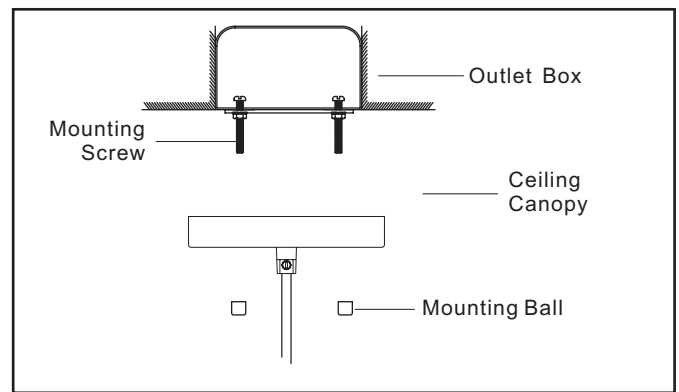
STEP 4:

- ★ Use Wire Connectors to connect the wires.
- a. Connect the House Ground Wire to the Fixture Ground Wire.
- b. Connect the House White (or Ribbed) Wire to the Fixture Supply Wire (White or Ribbed Side).
- c. Connect the House Black (or Red) Wire to the Fixture Supply Wire (Black or Smooth Side).
- d. Wrap each connection with approved electrical tape and carefully stuff all of the connected wires into the Outlet Box.



STEP 5:

- a. Place the Ceiling Canopy onto Outlet Box, aligning two holes in the Ceiling Canopy with two Mounting Screws threaded on the Crossbar. Secure it against ceiling with Mounting Balls.



STEP 6:

- a. Install correct bulbs referring to fixture markings and/or labels for maximum wattage.

Your installation is completed now. Restore electricity. Retain this sheet for future reference.