

Please go to www. quozel. com for product cleaning tips. Go to the **Care + Maintenance** selection.

Tools Required: Flathead screwdriver, Phillips screwdriver, pliers, wire cutters, wire strippers, electrical tape, safety glasses.

Bulb Recommended: (4) Candelabra Base T8 60W Bulbs (supplied), Maximum 60W.

Estimated Assembly Time: 30-45 minutes

Preparation: Identify and inspect all parts before beginning installation. Check package content list and diagrams below to be sure all parts are present. If any parts are missing or damaged, do not attempt to assemble, install, or operate the fixture. Contact customer service for replacement parts.

Note: This CONVERTIBLE fixture can be mounted as chandelier light or semi-flush light. Refer to respective installation steps for installations.

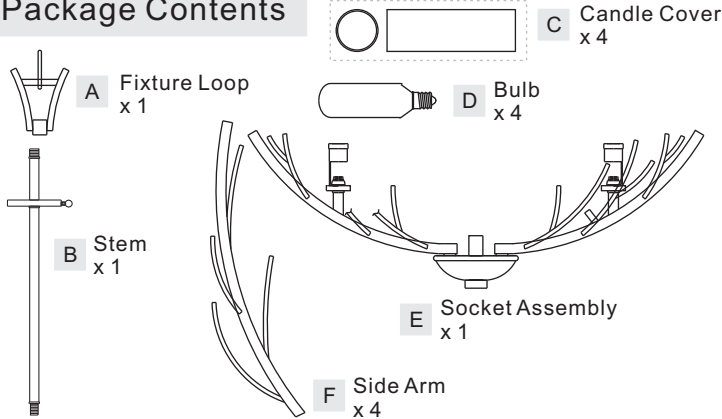
⚠ Warnings and Cautions

Turn off electricity at circuit breaker or main fuse box before installation. Consult a licensed electrician if in doubt.

These instructions are provided for your safety. It is very important you read them completely before installing the fixture. We strongly recommend that a licensed, professional electrician perform the installation.

Disconnect fixture from power source before replacing bulbs. Make sure bulbs are given sufficient time to cool before removal. Do not subject glass parts to any shock while in operation or shattering may result.

Package Contents



STEP 2A - Install Fixture Loop, Stem and Side Arm

- A. Attach the Fixture Loop (A), Stem (B) and Socket Assembly (E) together. Hand-tighten until snug.
- B. Remove lock screws from the Stem (B). Put the bottom of Side Arm (F) over the Bolt on the support arms on the Socket Assembly (J). Line up the Hole on the Side Arm (F) and the mounting hole on the Ring of the Stem (B). Secure by threading the lock screw back into the mounting hole. Hand tighten until snug.

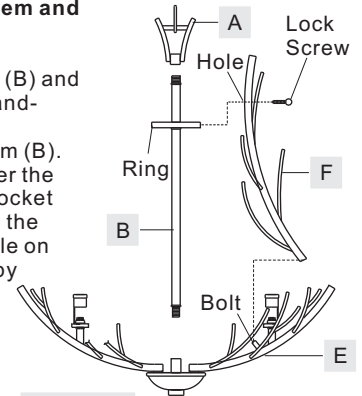
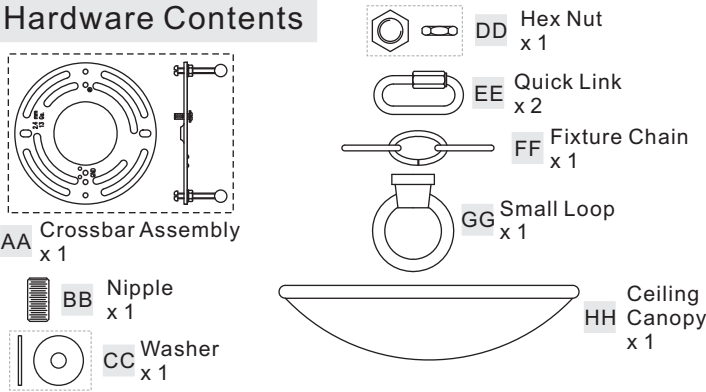


Figure 2A

Hardware Contents



STEP 3A - Install Crossbar Assembly

- A. Pass the supply wires through the Crossbar Assembly (AA). Attach the Crossbar Assembly (AA) to the Outlet Box with the head of the Green Ground Screw facing you. Secure it with Outlet Box Screws (not included). Tighten until snug.

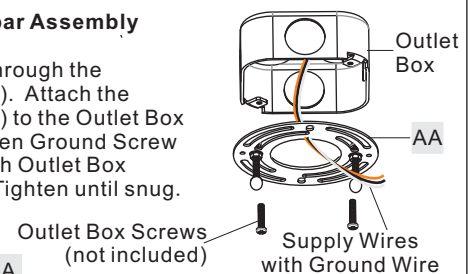


Figure 3A

STEP 4A - Fit Ceiling Canopy to Crossbar Assembly

- A. Remove mounting balls from the Crossbar Assembly (AA). Fit the Ceiling Canopy (HH) to the Crossbar Assembly (AA) and secure with mounting balls. Note: The Ceiling Canopy (HH) should be snug against the ceiling and the mounting balls. If Not, adjust the length of the nipple on the Crossbar Assembly (AA) by unscrewing the preassembled hex nut and lock washer and then screwing the mounting screws in or out of the crossbar until the correct length is achieved. Once the Ceiling Canopy (HH) is secure, remove the mounting ball and Ceiling Canopy (HH).

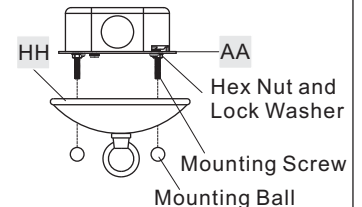


Figure 4A

Assembly Instructions for Chandelier Light (Step 1A - Step 7A)

STEP 1A - Attach Small Loop and Ceiling Canopy

- A. Thread Nipple (BB) onto the Small Loop (GG).
- B. Place Ceiling Canopy (HH) and Washer (CC) over the Nipple (BB). Secure by threading Hex Nut (DD) onto the Nipple (BB). Tighten until snug.

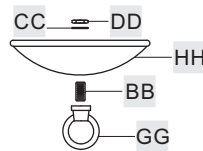


Figure 1A

Thank you for purchasing a Quoizel product.
Need assistance with parts or assembly? Call Quoizel customer service at 1-631-273-2700 or visit us on-line at www. quozel. com

STEP 5A - Install Fixture Chain and Fixture

- Adjust the Fixture Chain (FF) to your desired length by removing links if needed.
* Pliers is required for this step.
- With the Fixture Chain (FF) not attached to the Fixture Loop (A) and the Small Loop (GG), pull the supply wires through the Fixture Chain (FF) alternating links.
- Attach one end of the Fixture Chain (FF) to the Fixture Loop (A) with one Quick Link (EE). Lift the fixture and Fixture Chain (FF) up and attach the other end of the Fixture Chain (FF) onto the Small Loop (GG) with another Quick Link (EE). The fixture will now hang safely.
- Feed the Supply Wires and Ground Wire through the Small Loop (GG) and the Ceiling Canopy (HH) into the Outlet Box. Cut the wires leaving Approximately 8" of wire extending from the Outlet Box.
- Refer to Step 6A for wire connections.
- Position the Ceiling Canopy (HH) over the outlet box. Align the holes in the Ceiling Canopy (HH) with the mounting screws. Secure the Ceiling Canopy (HH) with Mounting Balls. Hand tighten until snug.

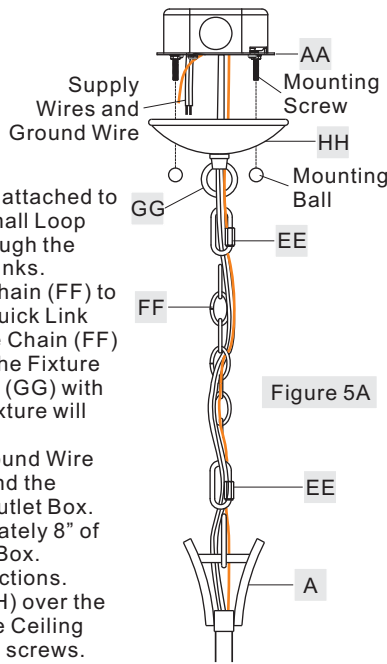
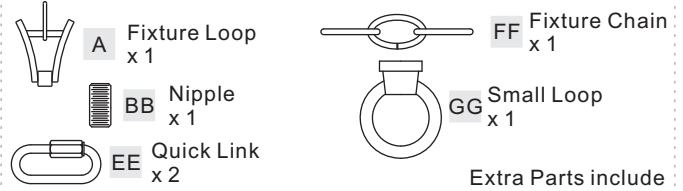


Figure 5A

Suggested chain length for Ceiling height :
 8' ceiling : use 13 links of chain and 2 quick links
 9' ceiling : use 12 links of chain and 2 quick links
 10' ceiling : use 31 links of chain and 2 quick links

Assembly Instructions for Semi-flush Light (Step 1B - Step 6B)

Part B, Part C and Part E will not be used in the assembly of the Semi-Flush Light fixture. Please set aside these parts.



Extra Parts include

STEP 1B - Install Ceiling Canopy and Side Arm

- Thread the Stem (B) onto the Socket Assembly (E) as shown. Hand tighten until snug.
- Place the Ceiling Canopy (HH) and the Washer (CC) over the top end of the Stem (B). Secure them with the Hex Nut (DD) and tighten until snug.
- Remove lock screws from the Stem (B). Put the bottom of Side Arm (F) over the Bolt on the support arms on the Socket Assembly (J). Line up the Hole on the Side Arm (F) and the mounting hole on the Ring of the Stem (B). Secure by threading the lock screw back into the mounting hole. Hand tighten until snug.

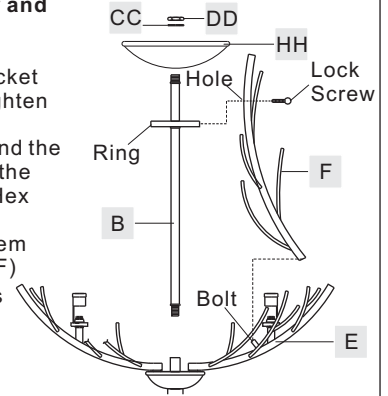


Figure 1B

STEP 6A - Wire Connections

- Use standard wire connectors (not included) to make all wire connections. (Connectors are not included with fixture.) Twist connectors until wires are tightly joined together. Wrap each connection with approved electrical tape and carefully stuff all the connected wires into outlet box.

Note: If the electrical wire is going to be cut shorter than provided you will need to identify the "L" line wire and the "N" neutral wire before you cut the excess wire off. One is labeled N and the other labeled L. To do this separate the "L" line wire and the "N" neutral wire as far as you need to. Re-label the wire near where you want to make the cut. Be sure to mark the wire on the side of the fixture and not on the excess wire being cut and removed.

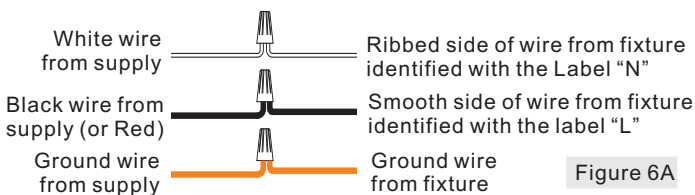


Figure 6A

STEP 7A - Install Bulb

- Place Candle Cover (C) over the Socket properly.
- This fixture uses Candelabra base T8 Vintage bulb (D). Maximum 60 watts. Insert bulb and screw snugly into place.

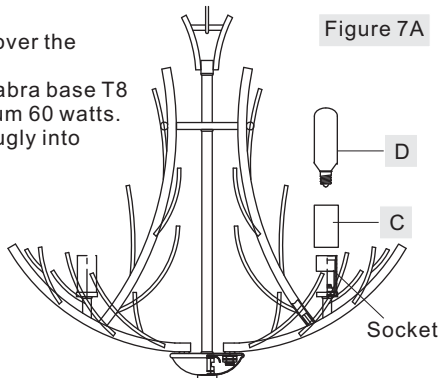


Figure 7A

Your fixture is now assembled and ready to use. Enjoy!

STEP 2B - Install Crossbar Assembly

- Pass the supply wires through the Crossbar Assembly (AA). Attach the Crossbar Assembly (AA) to the Outlet Box with the head of the Green Ground Screw facing you. Secure it with Outlet Box Screws (not included). Tighten until snug.

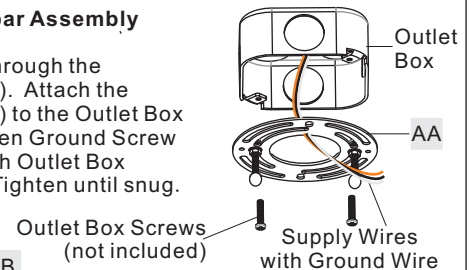


Figure 2B

STEP 3B - Fit Ceiling Canopy to Crossbar Assembly

- Remove mounting balls from the Crossbar Assembly (AA). Fit the Ceiling Canopy (HH) to the Crossbar Assembly (AA) and secure with mounting balls. Note: The Ceiling Canopy (HH) should be snug against the ceiling and the mounting balls. If Not, adjust the length of the nipple on the Crossbar Assembly (AA) by unscrewing the preassembled hex nut and lock washer and then screwing the mounting screws in or out of the crossbar until the correct length is achieved. Once the Ceiling Canopy (HH) is secure, remove the mounting ball and Ceiling Canopy (HH) and proceed to Step 4B.

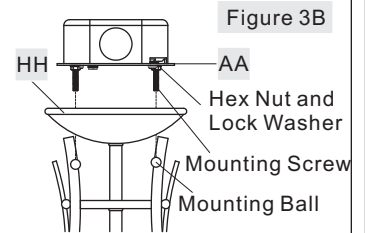


Figure 3B

STEP 4B - Wire Connections

- Cut the wires leaving Approximately 8" of wire extending from the Ceiling Canopy (HH).
Note: If the electrical wire is going to be cut shorter than provided you will need to identify the "L" line wire and the "N" neutral wire before you cut the excess wire off. One is labeled N and the other labeled L. To do this separate the "L" line wire and the "N" neutral wire as far as you need to. Re-label the wire near where you want to make the cut. Be sure to mark the wire on the side of the fixture and

Thank you for purchasing a Quoizel product.
 Need assistance with parts or assembly? Call Quoizel customer service at 1-631-273-2700 or visit us on-line at www.quoise.com

(Step 4B Continued)

not on the excess wire being cut and removed.

Use standard wire connectors (not included) to make all wire connections. (Connectors are not included with fixture.) Twist connectors until wires are tightly joined together. Wrap each connection with approved electrical tape and carefully stuff all the connected wires into outlet box.

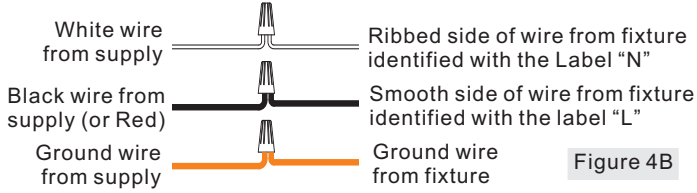


Figure 4B

STEP 5B - Install Fixture Body

A. Carefully tuck all wires into the outlet box and position the Ceiling Canopy (HH) over the outlet box. Align the holes in the Ceiling Canopy (HH) with the mounting screws, then attach the Ceiling Canopy (HH) using the previously removed mounting balls. Hand tighten until snug.

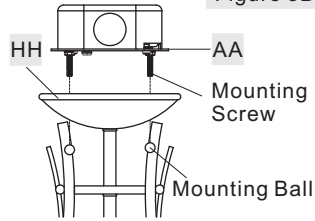


Figure 5B

STEP 6B - Install Bulb

A. Place Candle Cover (C) over the Socket properly.
 B. This fixture uses Candelabra base T8 Vintage bulb (D). Maximum 60 watts. Insert bulb and screw snugly into place.

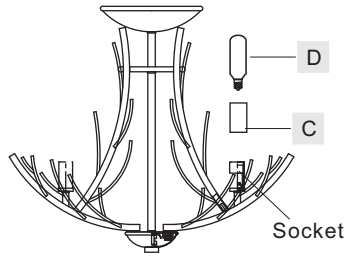
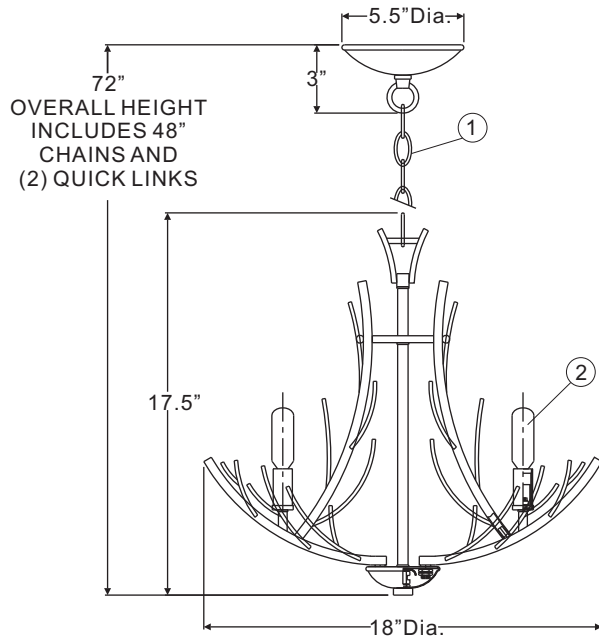
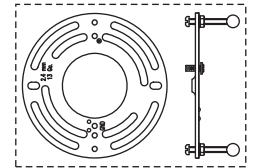


Figure 6B

Your fixture is now assembled and ready to use. Enjoy!

THL1718MK
 FINISH: MARCADO BLACK

CHANDELIER LIGHT



NOTE: ALL DIMENSIONS ARE ROUNDED UP TO THE NEAREST 1/4"

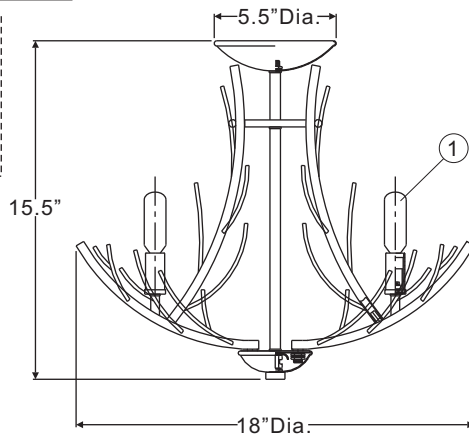
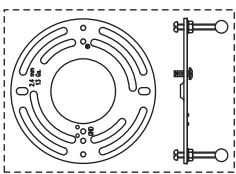
NO.	PART NUMBER	REPLACEMENT PART	REQ.
1	M1290CHMK	CHAIN	1
2	I1103CC	BULB	4

(4) 60W Candelabra Base T8 Vintage Bulbs (Supplied)

THL1718MK

SEMI-FLUSH

FINISH: MARCADO BLACK



NOTE: ALL DIMENSIONS ARE ROUNDED UP TO THE NEAREST 1/4"

(4) 60W Candelabra Base T8 Vintage Bulbs (Supplied)

NO.	PART NUMBER	REPLACEMENT PART	QTY.
1	I1103CC	BULB	4

Thank you for purchasing a Quoizel product.
 Need assistance with parts or assembly? Call Quoizel customer service at 1-631-273-2700 or visit us on-line at www.quoise.com