

Please go to [www. quozel. com](http://www. quozel. com) for product cleaning tips. Go to the **Care + Maintenance** selection.

**Tools Required:** None.

**Light Source:** (1) A21 Medium Base 3Way 150W Maximum, Alternate bulb (1) 42W CFL

**Estimated Assembly Time:** 20-30 minutes

**Preparation:** Identify and inspect all parts before beginning installation. Check package content list and diagrams below to be sure all parts are present. If any parts are missing or damaged, do not attempt to assemble, install, or operate the fixture. Contact customer service for replacement parts.

**⚠ Warnings and Cautions**

Turn off electricity at circuit breaker or main fuse box before installation. Consult a licensed electrician if in doubt.

These instructions are provided for your safety. It is very important you read them completely before installing the fixture. We strongly recommend that a licensed, professional electrician perform the installation.

Disconnect fixture from power source before replacing bulbs. Make sure bulbs are given sufficient time to cool before removal. Do not subject glass parts to any shock while in operation or shattering may result.

**⚠ Care of Tiffany Style Shade**

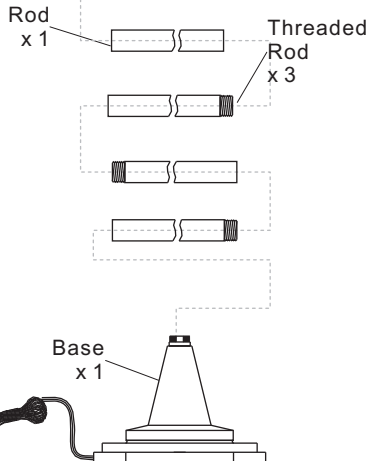
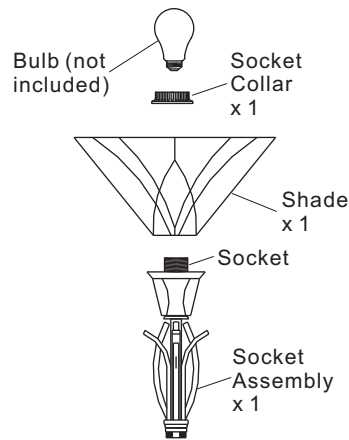
A new tiffany lamp shade has an oil film applied to the shade that protects the tiffany shade from scratches during shipment. If the oil applied is too heavy you can remove the excess oil film with a paper towel. Gently wipe away the excess oil.

For general cleaning of tiffany shades use a gentle lemon oil-based furniture polish applied to a soft cloth and wipe gently.

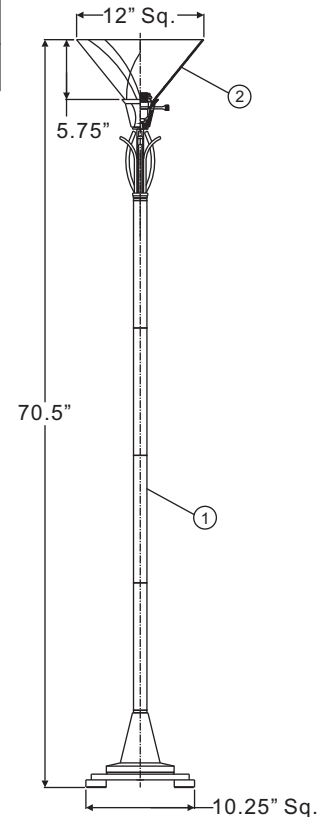
If a white powder appears on the soldered joints of the tiffany shade this is a normal oxidation process. Use a small amount of lemon oil or mineral oil applied directly to oxidized areas and the soldered area will return to like new.

- A. Thread the Socket Assembly , the Rod, the Threaded Rods and the Base together as shown. Hand tighten until snug.
- B. Pull the cord from the Base as you assemble the parts together to remove the excess cord between parts.
- C. Place the Shade over the Socket, secure by threading Socket Collar onto the Socket, hand tighten until snug.
- D. This fixture uses standard bulb with medium base . Maximum 150 watts. Insert bulb and screw snugly into place.

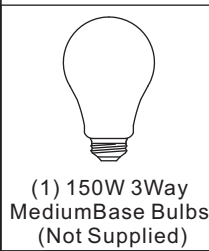
Your fixture is now assembled and ready to use. Enjoy!



TFAS9470VA
FINISH: VALIANT BRONZE



NOTE: ALL DIMENSIONS ARE ROUNDED UP TO THE NEAREST 1/4"



NO.	PART NUMBER	REPLACEMENT PART DESCRIPTION	REQ.
1	19470VATFAS	BASE	1
2	G12093SH	SHADE	1

**Thank you for purchasing a Quoizel product.**  
 Need assistance with parts or assembly? Call Quoizel customer service at 1-631-273-2700 or visit us on-line at [www. quozel. com](http://www. quozel. com)