

Please go to www. quozel. com for product cleaning tips. Go to the **Care + Maintenance** selection.

Tools Required: Flathead screwdriver, Phillips screwdriver, pliers, wire cutters, wire strippers, electrical tape, safety glasses.

Light Source: (2) A19 Medium Base Bulbs 60W Maximum, Alternate Bulbs (2) 13W CFL Maximum.

Estimated Assembly Time: 20-30 minutes

Preparation: Identify and inspect all parts before beginning installation. Check package content list and diagrams below to be sure all parts are present. If any parts are missing or damaged, do not attempt to assemble, install, or operate the fixture. Contact customer service for replacement parts.

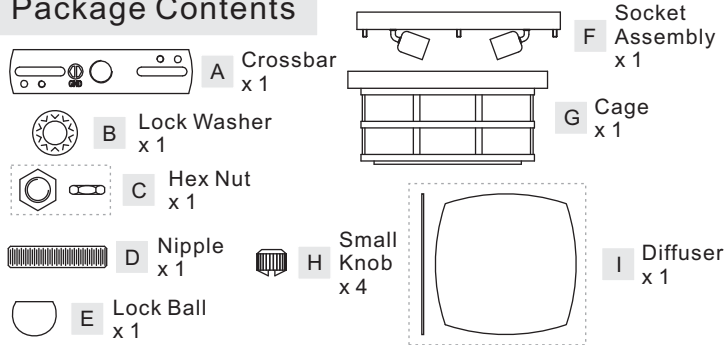
⚠ Warnings and Cautions

Turn off electricity at circuit breaker or main fuse box before installation. Consult a licensed electrician if in doubt.

These instructions are provided for your safety. It is very important you read them completely before installing the fixture. We strongly recommend that a licensed, professional electrician perform the installation.

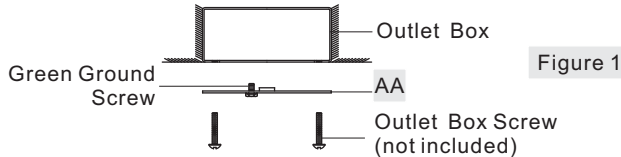
Disconnect fixture from power source before replacing bulbs. Make sure bulbs are given sufficient time to cool before removal. Do not subject glass parts to any shock while in operation or shattering may result.

Package Contents



STEP 1 - Install Crossbar

- A. Attach the Crossbar (AA) to the Outlet Box with the head of the Green Ground Screw facing you. Secure it with Outlet Box Screws (not included). Tighten until snug.



STEP 2 - Install Nipple and Socket Assembly

- * Pliers is required for this step.
- A. Thread Hex Nut (C) to the middle of the Nipple (D). Place Lock Washer (B) over the Nipple (D) and then thread the Nipple (D) into the Crossbar (A) until the Nipple (D) is about 0.375" above the Crossbar (A).
- C. Place the Socket Assembly (F) over the Nipple (D) against the ceiling to determine the correct position of the Nipple (D). Thread the Lock Ball (E) onto the Nipple (D). Adjust the Nipple (D) to allow the Socket Assembly (F) to rest against the ceiling when held in place by the Lock Ball (E).
- D. Remove the Lock Ball (E) and the Socket Assembly (F). Tighten the Hex Nut (C) against the Crossbar (A) to secure in place.
- E. Refer to Step 3 for wire connections.
- F. Place the Socket Assembly (F) back over the Nipple (D) and secure with Lock Ball (E). Hand tighten until snug.

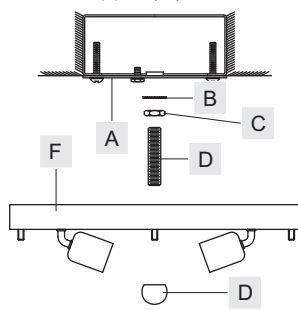


Figure 2

STEP 3 - Wire Connections

- A. Use standard wire connectors (not included) to make all wire connections. (Connectors are not included with fixture.) Twist connectors until wires are tightly joined together. Wrap each connection with approved electrical tape and carefully stuff all the connected wires into the Outlet Box.

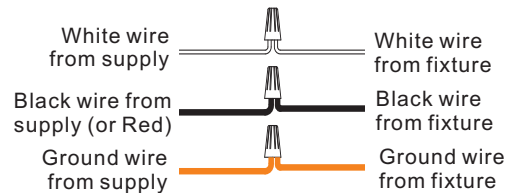


Figure 3

STEP 4 - Install Bulbs and Cage

- A. Place Diffuser (I) into the Cage (G) properly.
- B. This fixture uses standard bulbs with standard screw bases. Maximum 60 watts. Insert bulb and push snugly into place.
- C. Attach the Cage (G) over the Bolts on the bottom edge of the ceiling canopy and secure with Small Knobs (H). Hand tighten until snug.

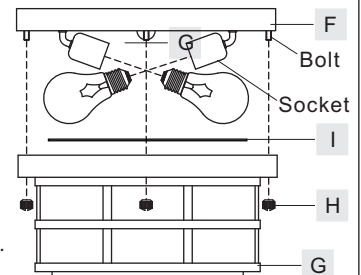


Figure 4

Your fixture is now assembled and ready to use. Enjoy!

STEP 5 - Replace Shade

- A. Remove Cage (G) from fixture by unlocking Small Knobs (H).
- B. Unscrew Cup Head Screws in the Cage (G), Remove Tab and Glass Panels from the Cage.
- C. Reverse above steps to reinstall the replacement Glass Panel onto fixture.

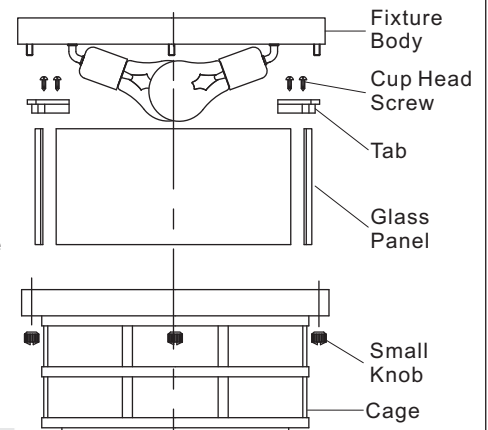
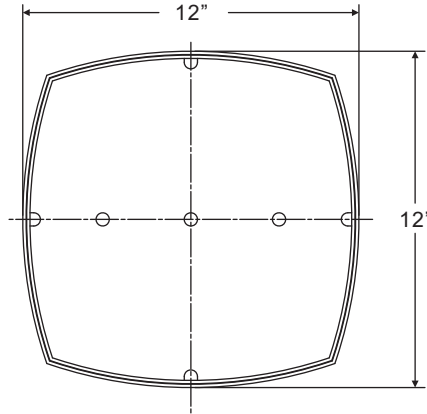
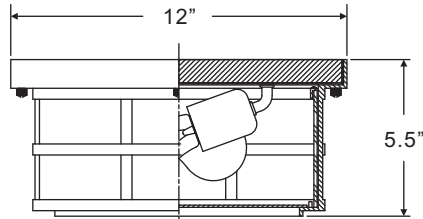
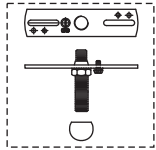


Figure 5

Thank you for purchasing a Quozel product.
Need assistance with parts or assembly? Call Quozel customer service at 1-631-273-2700
or visit us on-line at www. quozel. com

SNN1612PN/SNN1612K

FINISH: PALLADIAN BRONZE
/MYSTIC BLACK



(2) 60W Medium
Base Bulb
(Not Supplied)

NOTE: ALL DIMENSIONS ARE ROUNDED UP TO THE NEAREST 1/4"

NO.	PART NUMBER	REPLACEMENT PART DESCRIPTION	REQ.
1	G11962PA	BOTTOM GLASS	1
2	G11963PA	SIDE GLASS	4

Thank you for purchasing a Quoizel product.
Need assistance with parts or assembly? Call Quoizel customer service at 1-631-273-2700
or visit us on-line at www.quoizel.com