

Please go to [www. quozel. com](http://www. quozel. com) for product cleaning tips. Go to the **Care + Maintenance** selection.

**Tools Required:** Flathead screwdriver, Phillips screwdriver, pliers, wire cutters, wire strippers, electrical tape, safety glasses.

**Light Source:** (3) A19 Medium Base Bulbs 100W Maximum.

**Estimated Assembly Time:** 20-30 minutes

**Preparation:** Identify and inspect all parts before beginning installation. Check package content list and diagrams below to be sure all parts are present. If any parts are missing or damaged, do not attempt to assemble, install, or operate the fixture. Contact customer service for replacement parts.

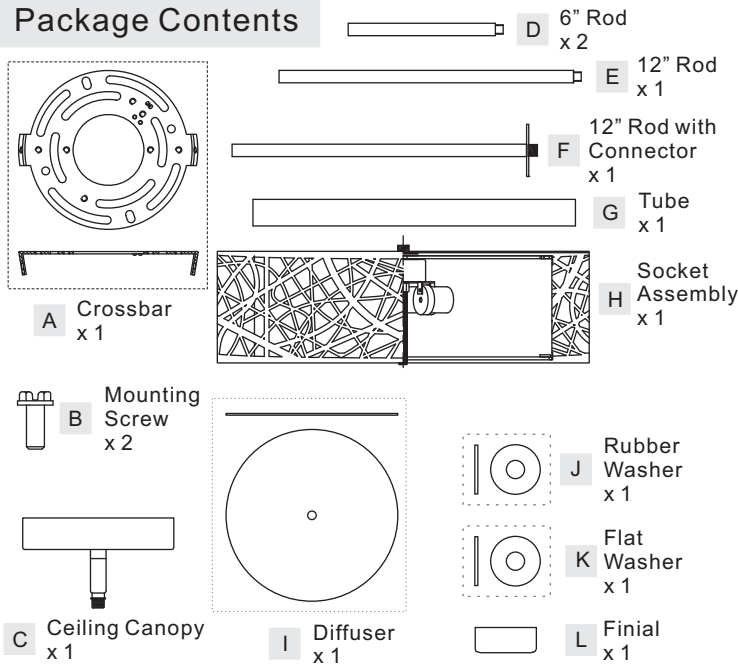
**⚠ Warnings and Cautions**

Turn off electricity at circuit breaker or main fuse box before installation. Consult a licensed electrician if in doubt.

These instructions are provided for your safety. It is very important you read them completely before installing the fixture. We strongly recommend that a licensed, professional electrician perform the installation.

Disconnect fixture from power source before replacing bulbs. Make sure bulbs are given sufficient time to cool before removal.

**Package Contents**



**(Step 1 Continued)**

9' ceiling : use (1) 6" rod, (1) 12" rod and (1) 12" rod with connector  
10' ceiling: use (2) 6" rods, (1) 12" rod and (1) 12" rod with connector

**STEP 2 - Install the Crossbar to the junction box**

A. Attach the Crossbar (A) to the Outlet Box with the head of the Green Ground Screw facing you. Secure it with Outlet Box Screws (not included), tighten until snug.

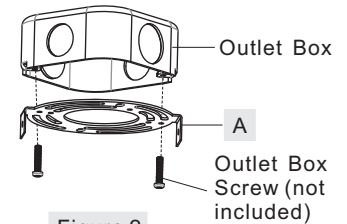


Figure 2

**STEP 3 - Making the Wire Connections**

A. Use standard wire connectors (not included) to make all wire connections. Twist connectors until wires are tightly joined together. Wrap each connection with approved electrical tape and carefully stuff all the connected wires into outlet box.

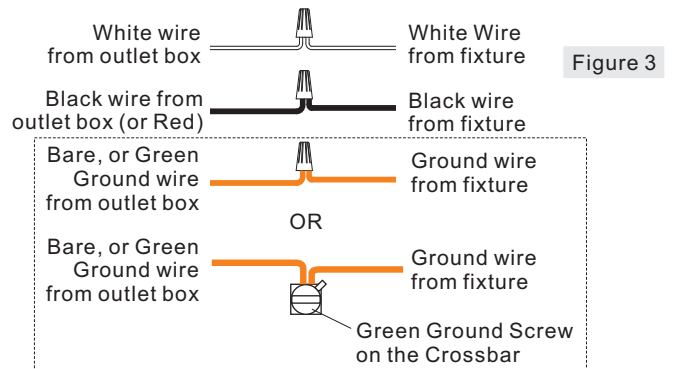


Figure 3

**STEP 1 - Assemble the Rods and Ceiling Canopy to fixture**

- A. Remove Protective Film from Shade. Thread Tube (G) onto top center of Socket Assembly (H) and hand tighten until snug.
- B. Determine the Rods (D/E/F) to be assembled to the Tube (G) on the top center of fixture according to your hanging height.
- C. Pass the supply wires through the chosen rods (D/E/F) and the Ceiling Canopy (C). Thread the Tube (G), the chosen Rods (D/E/F) and the Ceiling Canopy (C) together. Hand tighten until snug.

Suggested rods for Ceiling height :  
8' ceiling : use (1) 6" rod and (1) 12" rod with connector

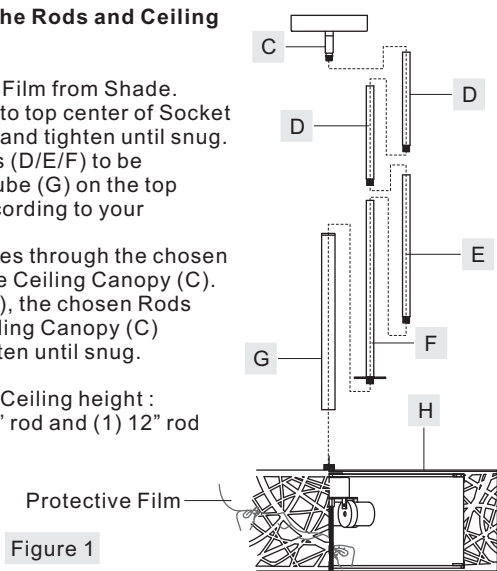


Figure 1

**STEP 4 - Install Fixture to Ceiling**

A. Place Ceiling Canopy (C) over the Crossbar (A). Line up Holes on the side of Ceiling Canopy (C) and the Mounting Hole on the Crossbar (A). Secure by threading Mounting Screws (B) into the Crossbar (A). Tighten until snug.

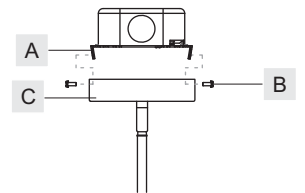


Figure 4

**Thank you for purchasing a Quoizel product.**  
**Need assistance with parts or assembly? Call Quoizel customer service at 1-800-645-3184 or visit us on-line at [www. quozel. com](http://www. quozel. com)**

**STEP 5 - Install Bulb and Diffuser**

- A. Insert bulbs onto sockets and screw snugly into place.
- B. Place Diffuser (I), Rubber Washer (J) and Flat Washer (K) over the Nipple underside of socket cluster. Secure by threading Finial (L) onto the Nipple. Hand tighten until snug.

Your fixture is now assembled and ready to use. Enjoy!

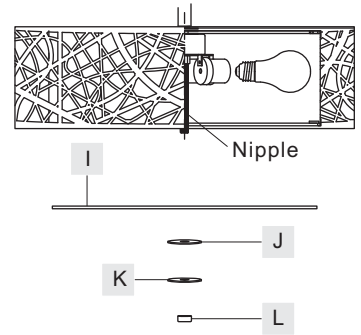
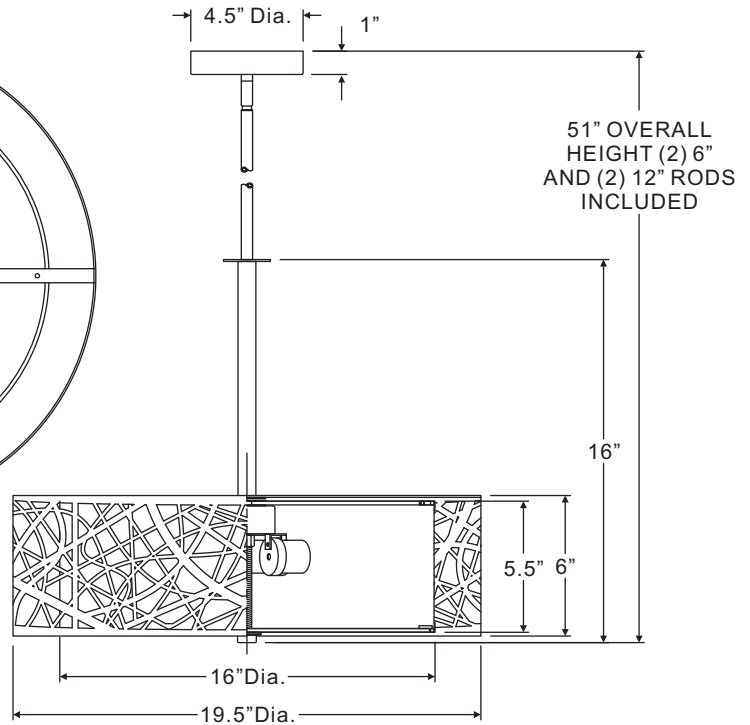
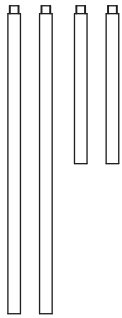
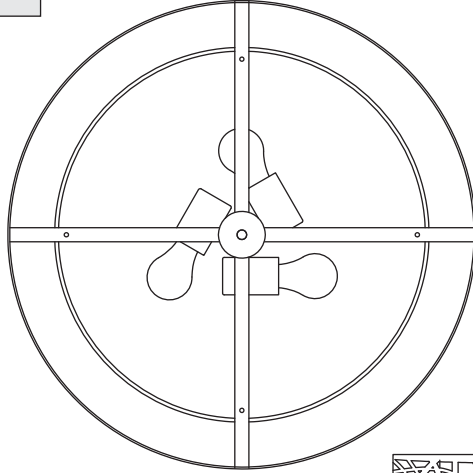
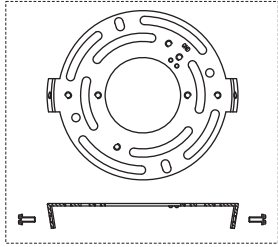


Figure 5

PCAE2820C  
FINISH: POLISHED CHROME



NOTE: ALL DIMENSIONS ARE ROUNDED UP TO THE NEAREST 1/4"

Thank you for purchasing a Quoizel product.  
Need assistance with parts or assembly? Call Quoizel customer service at 1-800-645-3184  
or visit us on-line at [www.quoise.com](http://www.quoise.com)