



*"The Whisper Quiet Whole House Cooling & Ventilation System"*

[www.quietcoolfan.com](http://www.quietcoolfan.com)

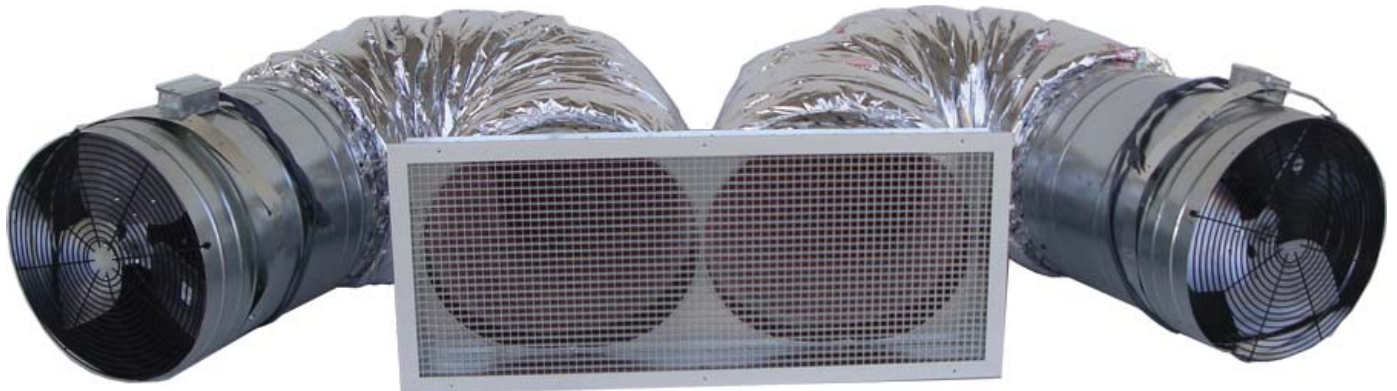
*"The natural choice for energy savings"*

## ***Installation Manual***



***Model QC-1500  
"The Original"***

***Model QC-2250  
"The Original"***



***Model QC-3200  
Model QC-4500  
"Quiet Giant"***

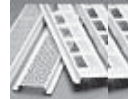
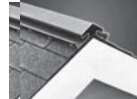
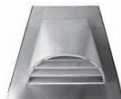
***Read carefully all of this manual prior to installing the fans.***

# QuietCool fan installation instructions

## System Sizing and Venting

Cooling Properties	CFM per Square Feet (Air exchanges per hour)	QuietCool Fan Quantity Recommendation by Square Foot Size of Structure						
		1,500	2,000	2,500	3,000	3,500	4,000	4,500
<b>FAIR</b>	(NOT RECOMMENDED) 1 CFM per square foot (7.5 air exchanges per hour)	1 QC1500's	1 QC2250	2 QC1500's	2 QC1500's	1 QC1500 and 1 QC2250	3 QC1500's or 1 QC4500	3 QC1500's or 1 QC4500
<b>BETTER</b>	FOR BETTER COOLING 2 CFM per square foot (15 air exchanges per hour)	2 QC1500's	3 QC1500's or 1 QC4500	2 QC1500's and 1 QC2250	4 QC1500's or 1 QC1500 & 1 QC4500	5 QC1500's or 2 QC1500 & 1 QC4500	6 QC1500's or 3 QC1500 & 1 QC4500	6 QC1500's or 3 QC1500 & 1 QC4500
<b>BEST</b>	FOR THE BEST COOLING 3 CFM per square foot (22.5 air exchanges per hour)	3 QC1500's or 1 QC4500	4 QC1500's or 1 QC4500 & 1 QC1500	5 QC1500's or 2 QC1500's & 1 QC4500	6 QC1500's or 3 QC1500's & 1 QC4500	4 QC1500's and 1 QC4500	5 QC1500's and 1 QC4500	6 QC1500's and 1 QC4500's
<b>REQUIRED VENTILATION</b>		2 SQ. FT FOR EACH QC1500			AND 6 SQ. FT. FOR EVERY QC 4500			

Vent type	Gable vent	Dormer vent	Eave vent	Ridge vent	Soffet vent
Average size	12" x 19.5"	14" x 8"	3.5" x 22.5"	various	various
Venting Sq. Ft.	1.20	0.70	0.35	various	various



1



2



3



4



5



6a



6b

- Prepare a cardboard cut-out template to be used to mark the rough opening cutout in the ceiling.  
The rough opening size varies depending on which model of QuietCool fan you are installing:  
QC-1500 rough opening is 14-1/4" x 14-1/4"  
QC-2250 rough opening is 14-1/4" x 18-1/4"  
QC-3200 rough opening is 14-1/4" x 30-1/4"  
QC-4500 rough opening is 14-1/4" x 36-1/4"

- Determine from down below in which areas you would like to install your QuietCool fans.
- Go up into the attic to mark the exact location for each fan. Take the cardboard cut-out template and a small screwdriver with you. When you find a location, move the insulation away to get a clear view. Make sure the template fits between the framing, and there are no obstructions in your chosen location. When you have chosen your exact spot, place the template on the spot and mark it at each corner by pushing the screwdriver through at each corner to make a hole so that you can find it from below.

**Repeat these steps at each location**

- From below, place the cut-out template on the ceiling at each location, making sure that you have at least 2 inches of clearance all around it, because the grill that will be installed later is 2 inches larger than the cut-out template. While holding the template in place, mark its outline with a pencil. Using a drywall saw or similar device, cut out the hole in the ceiling.

**Repeat these steps at each location**

- Open and unpack each QuietCool fan. Most of the system comes pre-assembled. Take the main assembly with duct and the ceiling box up into the attic through the crawl hole and move into position near the ceiling cut-out hole.
- Hang the motor heads from the rafters by fastening the metal strapping that is attached to motor heads to the rafters with the long wood screws. The goal is to hang the motor head as far as possible from the ceiling cut-out hole while making sure that the ceiling box and duct will easily reach the hole with a small amount of slack. Also make sure that the power box on the motor head is at the very top (12 O'clock) and that the motor head is leaning slightly uphill. In other words, the outlet end grill of the motor head should be slightly higher than the duct end.



7. Once all of the QuietCool fans are hung, it's time to go below and install the ceiling box and ceiling grill at each intake location.
8. Look through the hole and make sure there are no kinks or twists in the ducting. Pull the ceiling box down through the hole in the ceiling. While holding it in place, install a 1-3/8" drywall screw through the drywall into the flange of the ceiling box on each side to temporarily hold the box in place. Remove ceiling grill and screws from its packaging. Center the grill over the ceiling box. Install the grill with the white screws provided by screwing through the flange of the ceiling box. Some ceiling surfaces are uneven and may cause a small gap to be present. This can easily be caulked later if excessive.

**Repeat these steps at each location**

9. Return to the attic and go to each location. Using the nylon straps and the pan head screws provided, support the duct to the framing. Make sure the motor head is still pointing uphill. This will stabilize the entire assembly. Replace any insulation that was removed.

**Repeat these steps at each location**

10. The installation is now complete except for the electrical work necessary to make them operate. The electrical wiring for the fan requires a 120 volt three prong outlet within 6 feet of the motor head in the attic.
11. The outlet should be wired to and controlled by a two-gang or three-gang box installed in the hallway wall with a timer and switch for each fan.
12. Install QuietCool Remote Control System which operates from 1 to 8 fans (Optional feature)
13. **⚠ VERY IMPORTANT!**  
***Make sure the damper will open and close easily and without obstruction***
14. **⚠ VERY IMPORTANT!** ***Make sure the fan blade spins freely. This is very important to system operation.***

**⚠** Local building codes and standards must be adhered to in the installation of this unit.

**⚠ Avoid Back drafts**

***Care should be taken to avoid back drafting combustion appliances that are installed in the conditioned space. It is strongly recommended that combustion appliances NOT be installed in such a manner that they use room air for combustion. Whole house fans are capable of pulling large quantities of air from the home and particularly if not enough windows are open. This could easily back draft gas appliances located inside your home.***



Key Chain Remotes



Hand Held Remote



Fan Module(s)



Controller

**Optional Remote Control System**

8a



8b



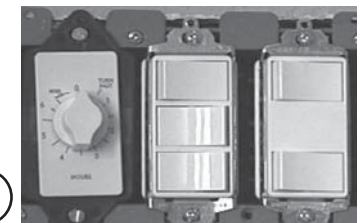
9



10



11



13



Visually inspect

14



Visually inspect

Manufactured by



"The Natural Choice For Energy Savinas"  
[www.quietcoolfan.com](http://www.quietcoolfan.com)

### 10 Year Limited Warranty

QC Manufacturing Inc. extends this warranty to the original purchaser of a QUIETCOOL fan system and/ an ENVIROCOOL cooling system installed and used in a residence under normal conditions within the continental United States.

- A. Ten Year coverage applies to the QuietCool fan assembly. At our option we will repair or replace any part of the assembly should it fail to operate during the first ten years from the date of original purchase. This coverage does not apply to controls such as timers, thermostats and switches.
- B. Five year coverage applies to the structural integrity of the EnviroCool cellulose rigid media. We will replace the media should it fail as a result of defective workmanship during the first five years from the date of original purchase. Mineral accumulations nor damage to the media as a result cleaning the media and damage as a result operating the media using softened water are not warranty defects and are not covered by this warranty.
- C. One year coverage for all other components including grills, housings, pumps, controls and accessories furnished by QC Manufacturing Inc. At our option, we will repair or replace any part fails as a result of defective material or workmanship during the first year from the date of original purchase.
- D. This warranty does not cover any of the following:
  - 1. We are not responsible for any incidental or consequential damage resulting from the operation of our equipment or any malfunction thereof.
  - 2. We are not responsible for the cost of service calls to diagnose the cause of problems or the labor charge to un-install and re-install any components.
  - 3. We are not responsible for any damage resulting from the use of water softeners, chemicals, or de-scale materials.
  - 4. The result of failure or damage due to faulty installation, abuse, misuse, unauthorized alteration, lack of maintenance, or transportation damage.
  - 5. Freight or postage for warranty claims.
  - 6. Any odor that may be noticed from the use of the EnviroCool unit. A slight odor may be noticed during the initial start-up and should disappear within the first few days of operation. Any continuing odors are the cause of faulty operation or faulty maintenance.
- E. To obtain service under this warranty, contact the dealer where you purchased the equipment. If you are unable to find or reach your dealer, contact Customer Service, QC Manufacturing Inc., 30724 Benton Road Suite C302-589, Winchester, CA 92596.
- F. Please register your product/products for warranty on line at:  
[www.QuietCoolsystems.com/registration](http://www.QuietCoolsystems.com/registration)

This warranty is the only warranty extended by QC Manufacturing Inc. to purchasers or suppliers of our equipment. QC Manufacturing Inc. disclaims all other warranties, express or implied, that arise by operation of the law. Some states do not allow the exclusion incidental or consequential damages or limitations on how long an implied warranty lasts so the above limitations or exclusions may not apply to you.

### Serial Numbers

QuietCool _____	QuietCool _____	QuietCool _____
QuietCool _____	QuietCool _____	QuietCool _____
QuietCool _____	QuietCool _____	QuietCool _____

**Product Registration:** Please register your product on line at [www.QuietCoolsystems.com/registration](http://www.QuietCoolsystems.com/registration).

## **Congratulations on the purchase of your new QuietCool system!**

### **▲ VERY IMPORTANT! OPEN WINDOW OR DOOR PRIOR TO TURNING ON SYSTEM (May pull ashes from fire place)**

One or more QuietCool's can be used to ventilate your home at any time of the year. The following general instructions will concentrate on summertime cooling.

#### **WHEN TO RUN FANS**

Anytime of day that it feels cooler outside than inside your home, the system will work effectively. In the summer, this normally happens in the late afternoon to early evening, through to the next morning.

#### **WHERE TO START**

We recommend you start by cooling the area where you are going to be spending the most time for the next few hours. In other words, create the coolest breeze where you are going to be. For example, in most family situations, the early evening is spent in the kitchen / family room area. Assuming this to be true, this is where you would start.

Begin by opening a window or two in the area you are going to be spending your time and turn on all of your QuietCool's at once, for maximum cooling. The cooler air outside will immediately begin to create a breeze. Opening windows too wide or opening too many windows will lesson the cooling breeze you feel.

The breeze will flow through your home and make its way to each QuietCool you have in operation. This breeze will be felt in the entire path, and will begin to cool the whole house. At the same time, the air brought in will be sent to the attic. This action will flush the very hot air out through the venting. When hot air is allowed to remain in your attic, it keeps your home hot even though it has cooled down outside. Removing the hot air and replacing it with cool air allows your home to cool off dramatically.

As it gets later in the evening, and even cooler outside, you can begin to open windows in other rooms of your home. Then at bedtime, you should close all the windows except in the occupied bedrooms. This will provide each room with a cool breeze as long as desired. If you have a QuietCool installed in each bedroom as recommended, you can enjoy the breeze and your privacy with your door closed.

#### **INDOOR AIR QUALITY**

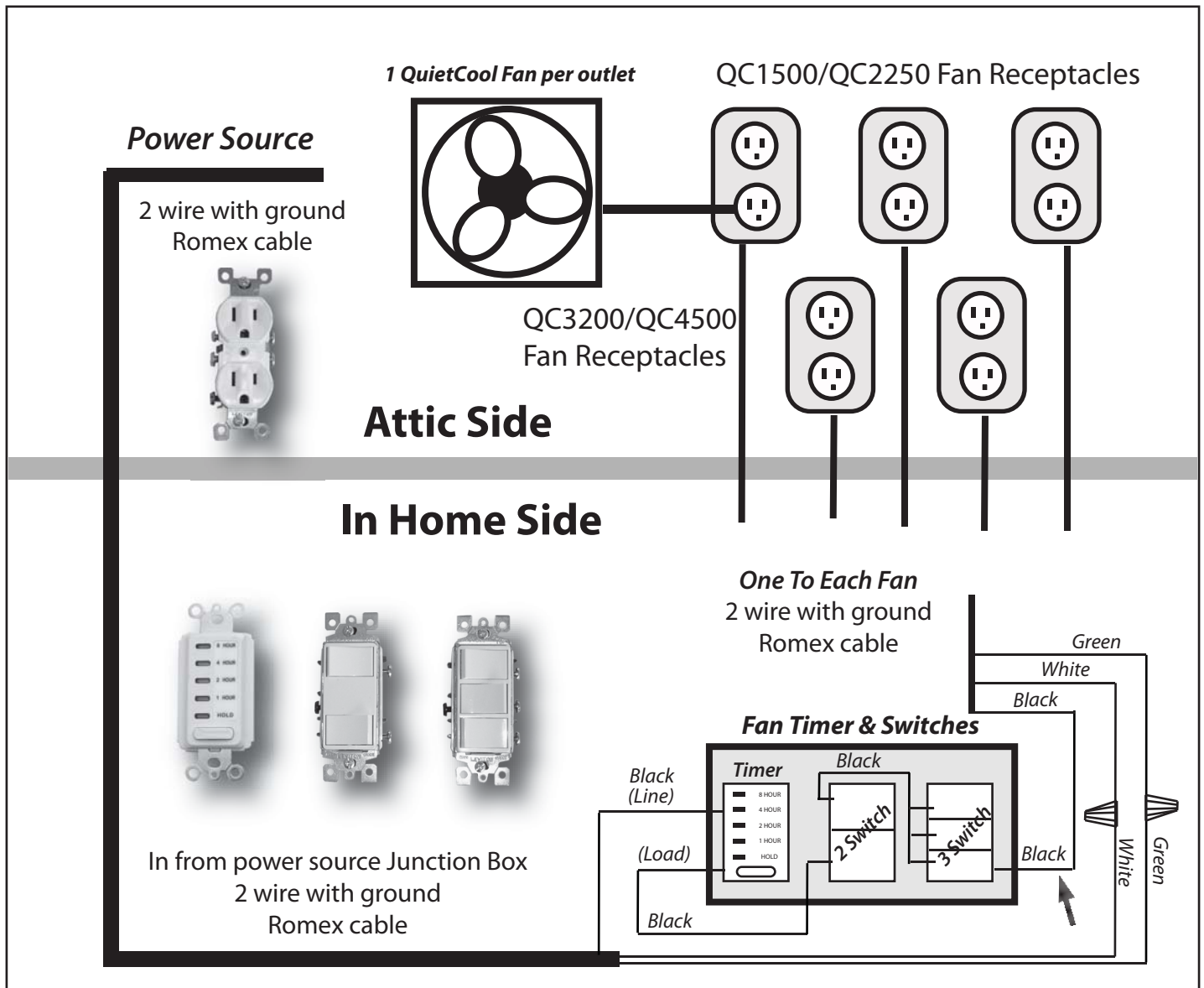
We should also stress the values of ventilating your home on a regular basis. Many private and government studies show that the air inside our homes is more polluted than the air outside. This is generally true even in industrial cities. Your QuietCool system can greatly reduce this problem by bringing in fresh air and exhausting stale polluted air all year round.

In cooler months, you can provide sufficient ventilation by operating one QC1500 daily for short periods of time without significantly cooling your home. The system can also be helpful in eliminating pet odors, burned food smells and smoke.

### **HELPFUL TIPS!**

- ➡ **Don't run fans when it is hot outside!**
- ➡ **Cool house in morning and close all windows during mid-day.**
- ➡ **Open only a few windows at first when its starting to cool down in the afternoon or evening then later open more windows.**
- ➡ **Close window shades and blinds during mid day to prevent sun from heating up home as quickly.**
- ➡ **In wintertime you may turn on the system at the warmest time of the day and bring in fresh warmer air to heat the home.**

# Wiring Diagram with Timer & Switches



# Wiring Diagram with Optional Remote Control

