



# PULSE

SHOWERSPAS

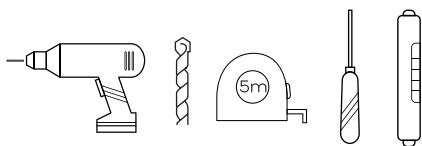
## INSTALLATION INSTRUCTIONS

### *Ergo*CornerBar

4003-SSP  
4003-SSB  
4003-ORB



#### TOOLS REQUIRED FOR INSTALLATION



Electric Drill  
1/8 inch wood drill bit  
1/4 inch masonry drill bit  
Tape measure  
Screwdriver  
Level

#### IMPORTANT

Check local code for proper placement of ErgoCornerBar to meet requirement such as ADA or ANSI 117.1 Consumer Safety Requirements.

**ERGOCORNERBAR CAN BE MOUNTED THROUGH SHOWER WALL AND SCREWED DIRECTLY INTO WOOD FRAMING.**

#### INSTALLATION QUESTIONS

Before returning your ErgoCornerBar to the store or have any question about installation or missing parts please visit the CUSTOMER CARE area on our website [www.PulseShowerSpas.com](http://www.PulseShowerSpas.com) or send us an email to [support@pulseshower spas.com](mailto:support@pulseshower spas.com).

#### WARRANTY

Please visit [www.PulseShowerSpas.com](http://www.PulseShowerSpas.com) for our Manufacture's Limited Warranty information.

## PARTS INCLUDED

- ErgoCornerBar with storage shelf
- Mounting hardware

## INSTALLATION

### STEP 1

Place product in desired mounting location. Make sure product is flush against both walls. Use level to check horizontal alignment.

### STEP 2

Use pencil to mark all 4 holes.

### STEP 3

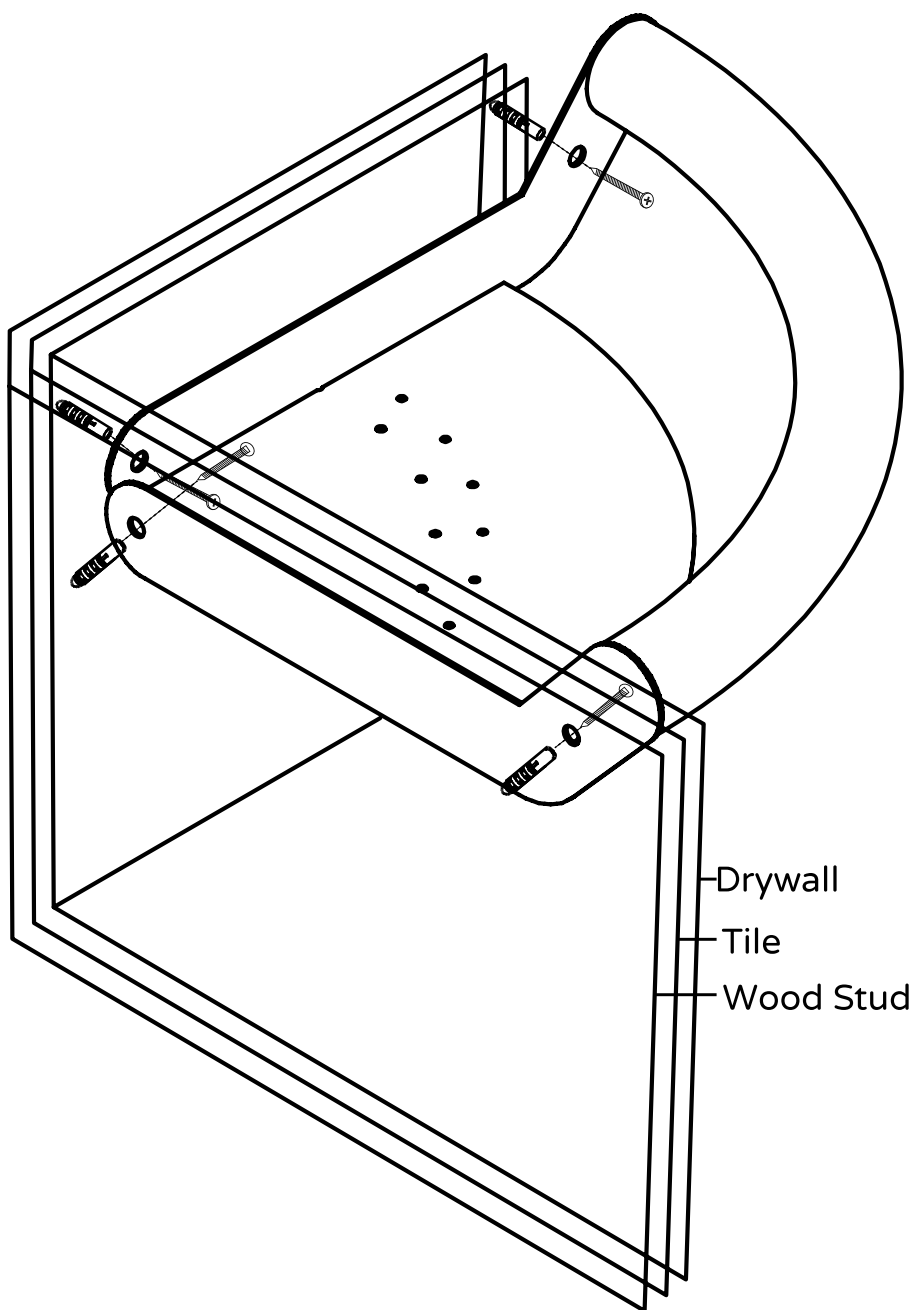
Determine if plumbing, electrical or any other obstructions are contained behind wall surface prior to drilling.

If drilling directly into wood framing use 1/8-inch drill bit ONLY.

If drilling into hollow cavity of wall use 1/4-inch drill bit and use supplied masonry anchors.

Securely tighten screws.

## DETAIL MOUNTING INSTALLATION



## WARNING

TO PREVENT SERIOUS OR FATAL INJURY: FOR USE ONLY BY PERSONS WEIGHING LESS THAN 250 POUNDS. Consult a healthcare professional for advice and instructions specific to your needs before use. Contact PULSE ShowerSpas immediately at 888.785.7320 if any components are missing or damaged. Install in accordance with PULSE ShowerSpas' instructions. Do not modify this product in any way. Check ErgoCornerBar periodically after installation to be sure all screws are secure.



# PULSE

SHOWERSPAS

Toll Free: 888.785.7320

[www.PulseShowerSpas.com](http://www.PulseShowerSpas.com)

