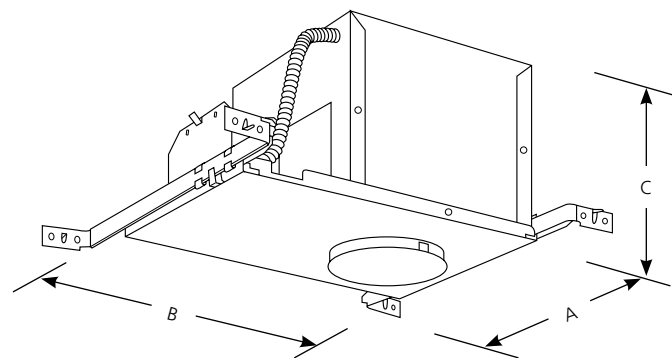


Type _____

P831-AT

Catalog No.	Lamping	Dimensions (Inches)		
		A	B	C
P831-AT	See Trim Specifications	8-3/8	13	7-1/2
		Ceiling Opening 4-1/2		



Specifications:

Wiring

- Universal junction box with snap-out sides
- Removable housing for field inspection of wiring
- Grounding pigtail
- Knockout free Romex clamps
- 1/2" & 3/4" Knock outs for rigid or BX fittings

Construction

- Notched housing for chalkline alignment
- Overspray protection
- Full wrap-around plaster frame
- Outer aluminum housing
- Housing adjusts from 1/2" to 2-1/2" thick ceilings
- Porcelain socket with nickel-plated screw shell

Bar Hangers

- Integral nailers for wood joist construction
- Integral T-bar mounting clamps
- Span 24" T-bar spacing
- Lock to secure housing
- Captive

Labeling

- Complies with Washing State Energy Code (WSEC) requirement for air tight
- UL-CUL listed for damp location and through branch wiring
- IC rated

Lamp/Trim

- Socket mounts to trim for optimum performance and consistent lamp position



Incandescent

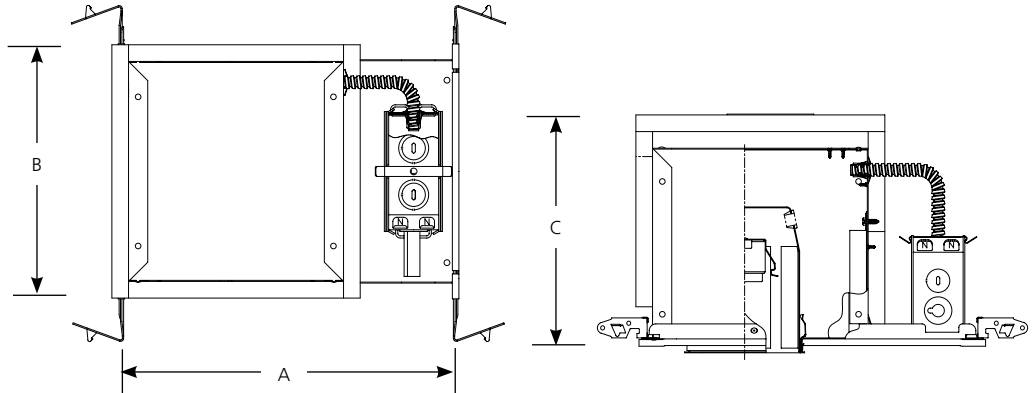
4" Incandescent Line Voltage Fire-Box[®] Recessed 1-Hour Fire Resistant Non-IC

Type _____

P831-FB

Dimensions (Inches)

Catalog No.	Lamping	Dimensions (Inches)		
		A	B	C
P831-FB	See Trim Specifications	13-1/4	9-9/16	9-1/8 Ceiling Opening 4-1/2



• Trim must be ordered separately.

Specifications:

Wiring

- Universal J-box with snap-out sides
- 1/2" & 3/4" Knock outs for rigid conduit or BX fittings
- Grounding pigtail
- Knock out free integral Romex clamps
- Access door in housing for field inspection of wiring

Construction

- Adjustment for ceiling thickness from 1/2" to 2"
- Steel outer housing
- For new construction applications
- Notched housing for chalkline alignment
- Overspray protection
- Socket can be used as a work light
- Porcelain socket with nickel-plated brass screw shell
- Fits into 2X10 construction
- 6 pieces of UL classified fire resistant gypsum board attached to recessed housing
- Fiberglass gasket on bottom of frame to minimize heat transfer into ceiling cavity

Bar Hangers

- Integral nailers for wood joist construction. Must be reinforced with screws/nails per instruction sheet.
- Integral T-Bar mounting clamps
- Spans 24" spacing
- Lock in position to secure housing

Labeling

- Non-IC rated; insulation must be kept 3" away from housing
- UL-CUL listed for damp location and feed through wiring
- UL Classified to maintain fire ratings of 1 hour or less for all UL L500 series and G531 fire-rated ceiling/floor assemblies

Lamp/Trim

- Socket mounts to trim for optimum performance and consistent lamp position
- Trims are equipped with 3 riveted spring steel retention clips to hold trim snugly against the ceiling.



Progress Lighting
701 Millennium Blvd.
Greenville, South Carolina
29607

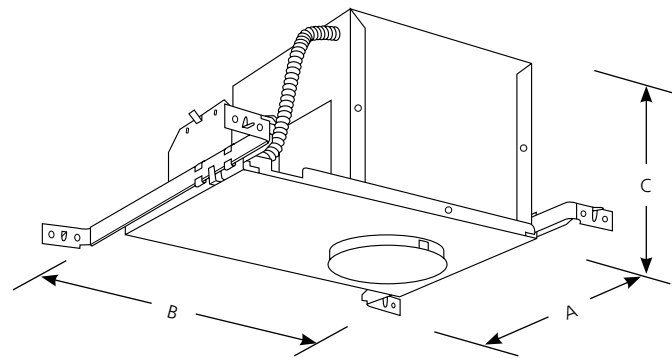
www.progresslighting.com
Patent# 6,357,891

Rev. 6/07

Type _____

P831-LED

Catalog No.	Lamping	Dimensions (Inches)		
		A	B	C
P831-LED	See Trim Specifications	8-3/8	13	7-1/2
		Ceiling Opening 4-1/2		



Specifications:

Wiring

- Universal junction box with snap-out sides
- Removable housing for field inspection of wiring
- Grounding pigtail
- Knockout free Romex clamps
- 1/2" & 3/4" Knock outs for rigid or BX fittings

Construction

- Notched housing for chalkline alignment
- Full wrap-around plaster frame
- Outer aluminum housing
- Housing adjusts from 1/2" to 2-1/2" thick ceilings

Bar Hangers

- Integral nailers for wood joist construction
- Integral T-bar mounting clamps
- Span 24" T-bar spacing
- Lock to secure housing
- Captive

Labeling

- Complies with Washing State Energy Code (WSEC) requirement for air tight
- UL-CUL listed for damp location and through branch wiring
- IC rated

Lamp/Trim

- P831-LED is designed for use with P8080 series LED trims (sold separately)