



Compact Fluorescent

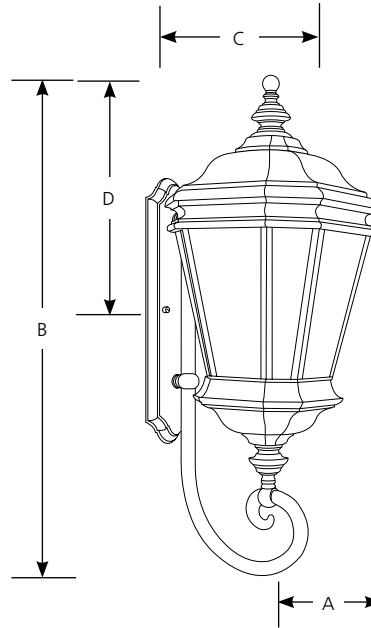
Crawford

Outdoor

Type \_\_\_\_\_  
-31

P6614

Catalog No.	Finish		Lamping	Dimensions (Inches)			
	Black			A	B	C	D
P6614	-31		1 GU-24 32w	12	32-13/16	14-3/4	15



**Specifications:**

General

- Etched glass panels: (small) 9-13/16" ht., 3" top width, 1-5/8" bottom width; (large) 9-3/4" ht., 6" top width, 3-5/8" bottom width; (door) 9-3/16" ht., 5-7/8" top width, 3-3/4" bottom width
- Powdercoat Black (-31) finish
- Die-cast aluminum construction
- Glass panels removable
- Heavy support arm
- Hinged door for easy re-lamping
- Companion Chain hung lantern, Close-to-ceiling, Post top lantern, Wall lantern, fixtures are available

Electrical

- GU24 base socket
- 6" of wire supplied
- Pre-wired

Labeling

- cCSAus Wet location listed

Mounting

- Wall mount
- Back plate covers a standard 4" hexagonal recessed outlet box: 4-1/2" W, 17-5/8" ht.
- Mounting strap for outlet box included

Progress Lighting  
701 Millennium Blvd.  
Greenville, South Carolina  
29607

www.progresslighting.com

Rev. 07/14