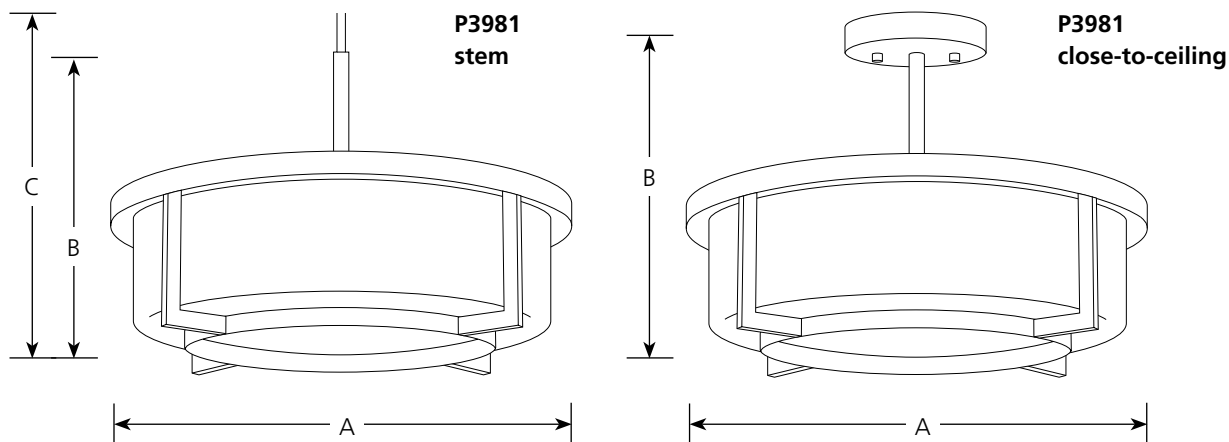


|       |                          |                          |
|-------|--------------------------|--------------------------|
|       | Type                     | _____                    |
|       | -09                      | -20                      |
| P3930 | <input type="checkbox"/> | <input type="checkbox"/> |

| Catalog No. | Finish         |                | Lamping     | Dimensions (Inches) |         |    |
|-------------|----------------|----------------|-------------|---------------------|---------|----|
|             | Brushed Nickel | Antique Bronze |             | A                   | B       | C  |
| P3930       | -09            | -20            | 4 GU-24 26w | 24-9/16             | 15-9/16 | 82 |



**Specifications:**

General

- Etched white diffuser
- Plated Brushed Nickel (-09) finish
- Painted Antique Bronze (-20) finish
- Steel construction
- Two 6", one 12", two 15" lengths of stem included
- 6 links of 9 gauge chain supplied.
- Companion Pendant, fixtures are available

Electrical

- GU24 base sockets
- 12 feet of wire supplied
- Pre-wired

Labeling

- cCSAus Dry location listed

Mounting

- Ceiling stem mounted with 6 links of chain/semi-flush mount
- Canopy covers a standard 4" hexagonal recessed outlet box
- Mounting strap for outlet box included