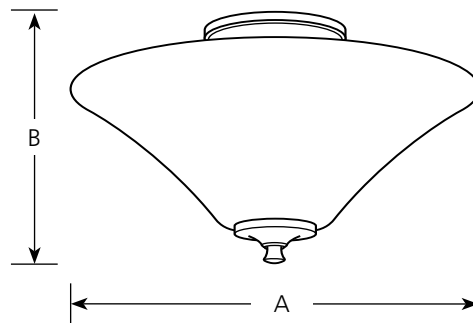


Type _____

-09 -20

P3855

Catalog No.	Finish		Lamping	Dimensions (Inches)	
	Brushed Nickel	Antique Bronze		A	B
P3855	-09	-20	2 (m) 100w	13-3/8	9-1/8



Specifications:

General

- Etched white (-09) or etched tea stained (-20) glass cone shaped bowl: 13-3/8" dia. x 5-1/8" ht.
- Semi flush style
- Plated Brushed Nickel (-09) finish or painted Antique Bronze (-20) finish
- Steel Construction
- Companion chandeliers, foyer, pendant, bath and vanity, and wall sconce fixtures are available

Mounting

- Ceiling mounted
- Canopy covers a standard 4" hexagonal recessed outlet box
- Mounting strap for outlet box included

Electrical

- Medium based ceramic sockets
- Pre-wired

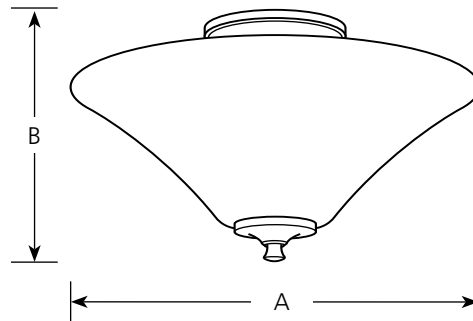
Labeling

-  damp location listed

Type _____

-09EBWB -20EBWB
P3855

Catalog No.	Finish		Lamping	Dimensions (Inches)	
	Brushed Nickel	Antique Bronze		A	B
P3855	-09EBWB	-20EBWB	2-13w GU24 CFL (Included)	13-3/8	9-1/8



Specifications:

General

- Etched white (-09) or etched tea stained (-20) glass cone shaped bowl: 13-3/8" dia. x 5-1/8" ht.
- Semi flush style
- Plated Brushed Nickel (-09) finish or painted Antique Bronze (-20) finish
- Steel Construction
- Two 13w GU24 CFL lamps included
- Companion chandeliers, foyer, pendant, bath and vanity, and wall sconce fixtures are available


Mounting

- Ceiling mounted
- Canopy covers a standard 4" hexagonal recessed outlet box
- Mounting strap for outlet box included

Electrical

- GU24 based sockets
- Pre-wired

Labeling

-  damp location listed