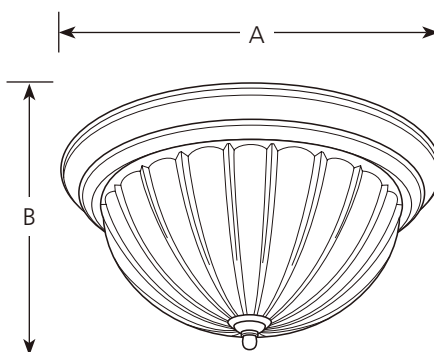


Type _____

-09 -10 -20 -30 -33

P3818

Catalog No.	Finish					Lamping	Dimensions (Inches)	
	Brushed Nickel	Polished Brass	Antique Bronze	White	Cobble-stone		A	B
P3818	-09	-10	-20	-30	-33	3 (m) 75w	15-1/4	7-1/2



P3818

Specifications:

General

- Etched melon glass bowl with center lock up: 12" dia. x 5-1/8" tall, 1/2" center hole
- Painted antique bronze (-20), white (-30) or cobblestone (-33) finishes
- Plated brushed nickel (-09) or polished brass (-10) finishes
- Steel construction

Mounting

- Flush ceiling mount
- Pan covers a standard 4" octagonal recessed outlet box: 13-1/4" dia. x 1-5/8" tall
- Mounting strap for outlet box included

Electrical

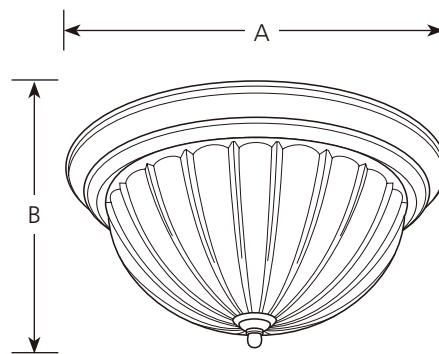
- Ceramic medium base sockets
- Pre-wired

Labeling

- cCSAus "Damp Location" listed

	Type _____		
	-09EBWB	-20EBWB	-30EBWB
P3818	<input type="checkbox"/>	<input type="checkbox"/>	<input type="checkbox"/>

Catalog No.	Finish			Lamping	Dimensions (Inches)	
	Brushed Nickel	Antique Bronze	White		A	B
P3818	-09EBWB	-20EBWB	-30EBWB	3 18w CFL (Included)	15-1/4	7-1/2



P3818

Specifications:

General

- Etched melon glass bowl with center lock up: 12" dia. x 5-1/8" tall, 1/2" center hole
- Painted antique bronze (-20) or white (-30) finishes
- Plated brushed nickel (-09) finish
- Steel construction

Mounting

- Flush ceiling mount
- Pan covers a standard 4" octagonal recessed outlet box: 13-1/4" dia. x 1-5/8" tall
- Mounting strap for outlet box included

Electrical

- GU24 based sockets
- Pre-wired

Labeling

- cCSAus "Damp Location" listed