



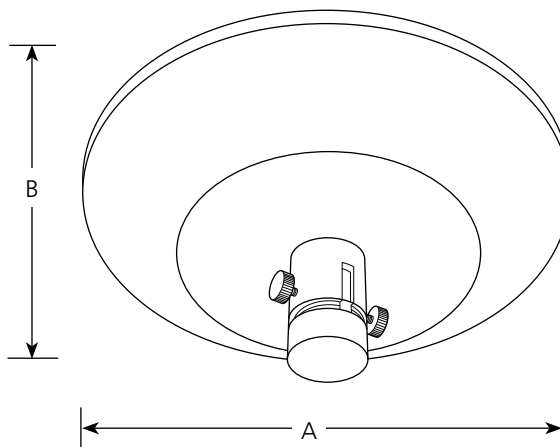
Incandescent
Halogen

Illuma-Flex® Mini Pendant
Low Voltage

Track

Type	_____	
	-09	-174
P8776	<input type="checkbox"/>	<input type="checkbox"/>

Catalog No.	Finish		Dimensions (Inches)	
	Brushed Nickel	Urban Bronze	A	B
P8776	-09	-174	9-5/16	4-3/4



P8776

Specifications:

General

- 300 watt - 120 to 12 volt low profile transformer
- Plated brushed nickel (-09) or urban bronze (-174) finishes
- Mounts anywhere along Illuma-Flex track sections
- Positive support and connection for the Flex track

Electrical

- 300 watt - 120 to 12 volt electronic transformer
- Maximum loading is 300w, minimum loading is 50w
- Includes overload auto shut-off with LED light to show overload indication

Labeling

- CSA-CSA/US listed

Mounting

- Ceiling mount over a standard 4" octagonal outlet box (by others)
- Removal of bottom cap allows track to be slid into slot, cap is replaced and side thumb screws tightened for solid contact to track
- Mounting hardware included for attachment to a standard 4" hexagonal outlet box.

Progress Lighting
701 Millennium Blvd.
Greenville, South Carolina
29607

www.progresslighting.com