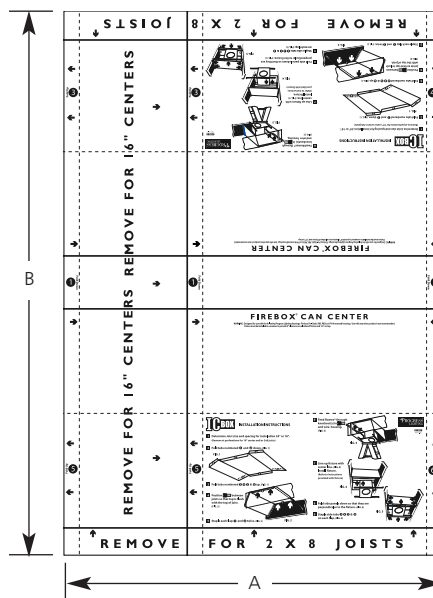
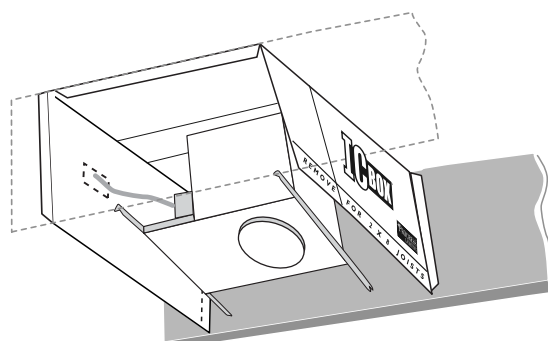


Type \_\_\_\_\_  
-01  
P8555

Catalog No.	Dimensions (Inches)	
	A	B
P8555 -01	24-1/2	35



**Specifications:**

General

- Material is Coroplast™, which is made from polypropylene co-polymer resin
- Deflection temperature F (@66psi) = 194 (90C)
- Melting point = 162C, 324F
- Normal temperature performance range = -17F to 160F
- MSDS available upon request
- National Electric Code requires 3" clearance of insulation for Non-IC type recessed housings and no insulation on top.

Application

- Use to create a barrier to keep insulation from making contact with the following type Non-IC rated recessed housings:

P821-FB	P821-FBFC
P85-FB	P831-FB
P85-TG	P830-TG
P86-TG	P816-TG

All Pro-Optic® or FireBox® housings from Progress Lighting

P62-FB	P817-FB
P63	P8213
P66	P8218
P68	P8226
P69	