



Compact Fluorescent  
Trim

**6" Open Pro-Optic Alzak**  
2 Horizontal Quad Tube Lamps  
Non-IC

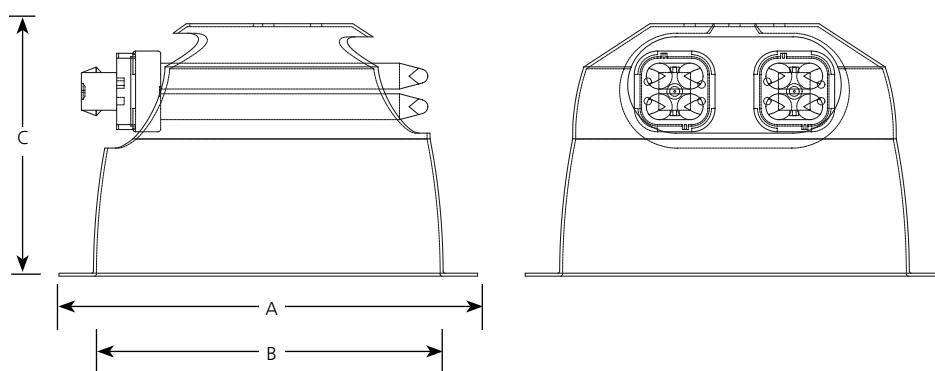
Recessed

	Type						
	-17A	-21A	-22A	-28	-61*	-64*	-67*
P8030	<input type="checkbox"/>	<input type="checkbox"/>	<input type="checkbox"/>	<input type="checkbox"/>	<input type="checkbox"/>	<input type="checkbox"/>	<input type="checkbox"/>

Catalog No.	Finish							Dimensions (Inches)		
	Pewter Alzak	Clear Alzak	Gold Alzak	White	Straw Alzak	Wheat Alzak	Haze Alzak	A	B	C
P8030	-17A	-21A	-22A	-28	-61*	-64*	-67*	7	5-3/4	4-3/4

Maximum Ceiling Thickness = 1-1/4

Ceiling Opening = 6-1/4



**Lamp Wattage**

Housing	IC	Non-IC
P63-EB	N/A	2-13w Quad tube
P68-EB	N/A	2-18w Quad tube
P66-EB	N/A	2-26w Quad tube
P66-DM	N/A	2-26w Quad tube

**Specifications:**

Flange

- White painted metal flange

Reflector

- All aluminum construction
- One piece construction with integral flange
- Alzak anodized finish
- No light leaks around trim flange
- Socket box mounts to reflector for optimum performance and consistent lamp position
- Reflector retention accomplished by 3 spring clips located in aperture of housing

- Single reflector accommodates both standard and internal emergency housings

Labeling

- UL and CUL listed for damp location
- Non-IC rated

\* -61, -64, -67 finishes are MTO only.

Progress Lighting  
701 Millennium Blvd.  
Greenville, South Carolina  
29607

www.progresslighting.com

Rev. 4/09



# P63-EB/P8030-21A

## 6" DOWNLIGHT 3002 Alloy Aluminum Specular Conoid Reflector

Report No. 2800

No. Lamps: 2 Type Lamp: 2 - CFL, QUAD TUBE SLVAN Total Lumens: 1800

Fixture Efficiency: 52.4%

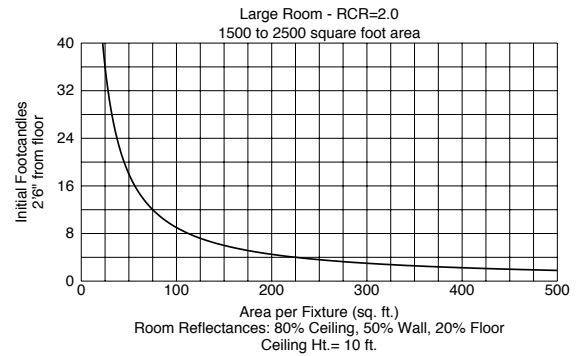
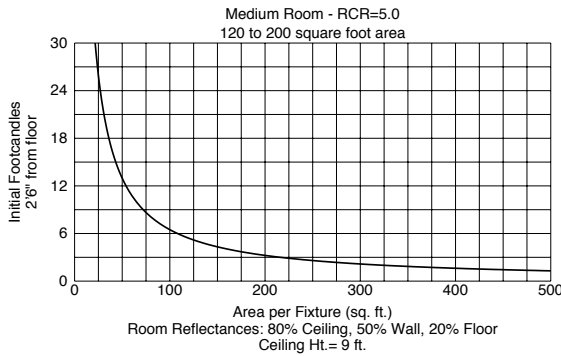
S/MH Ratio: 0.9 (0°) 1.3 (90°)

### Single Fixture Data

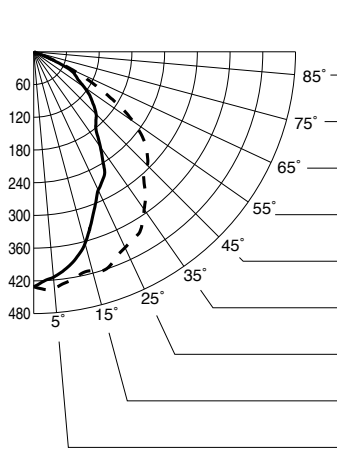
Ceiling Ht.(Ft.)	10% Values		Zero Degrees Ft.-C	50% Values	
	Beam Angle - 105°			Beam Angle - 59°	
	Ft.-C	Beam Dia.		Ft.-C	Beam Dia.
8	1.4	14	14.2	7.1	6
10	0.8	19	7.7	3.8	8
12	0.5	25	4.8	2.4	11
14	0.3	30	3.3	1.6	13
16	0.2	35	2.4	1.2	15

Ft.-C (Footcandles) are initial and measured 2'-6" from floor

### Quick Calculator Charts



#### DISTRIBUTION CURVE



#### INTENSITY DATA

DEGREES	CANDELA	
	AT 0°	AT 90°
90	0	0
85	0	0
80	1	1
75	1	1
70	4	8
65	62	80
60	90	150
55	113	222
50	139	268
45	162	295
40	177	315
35	213	353
30	260	385
25	280	396
20	318	415
15	364	415
10	395	423
5	415	435
0	431	431

#### ZONAL CAVITY COEFFICIENTS OF UTILIZATION

Effective Floor Cavity Reflectance 0.20

RC	Effective Floor Cavity Reflectance 0.20																	
	80			70			50			30			10			0		
RW	70	50	30	10	70	50	30	10	50	30	10	50	30	10	50	30	10	0
0	62	62	62	62	61	61	61	61	58	58	58	56	56	56	54	54	54	52
1	58	56	55	53	57	55	54	52	53	52	51	51	50	49	49	48	48	47
2	54	50	47	45	53	49	47	44	48	45	43	46	44	42	44	43	42	41
3	50	45	41	38	49	44	41	38	43	40	37	41	39	37	40	38	36	35
4	46	40	36	33	45	40	36	33	38	35	33	37	34	32	36	34	32	31
5	42	36	32	29	41	36	32	29	35	31	29	34	31	28	33	30	28	27
6	39	33	29	26	38	32	28	25	32	28	25	31	27	25	30	27	25	24
7	37	30	26	23	36	30	26	23	29	25	23	28	25	22	27	24	22	21
8	34	27	23	20	33	27	23	20	26	23	20	26	23	20	25	22	20	19
9	32	25	21	18	31	25	21	18	24	21	18	24	21	18	23	20	18	17
10	30	23	19	17	29	23	19	17	23	19	17	22	19	17	22	19	17	16



# P66-EB/P8030-21A

## 6" HORIZONTAL/DOWNLIGHT w/ 3002 Alloy Trim

Report No. 2077

No. Lamps: 2 Type Lamp: 2 - 26W QUAD 4-PIN SYLVA Total Lumens: 3420

Fixture Efficiency: 52.1%

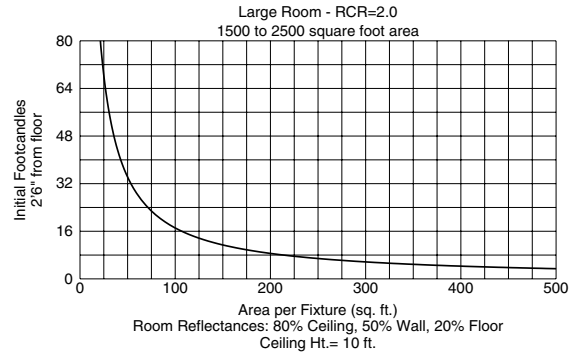
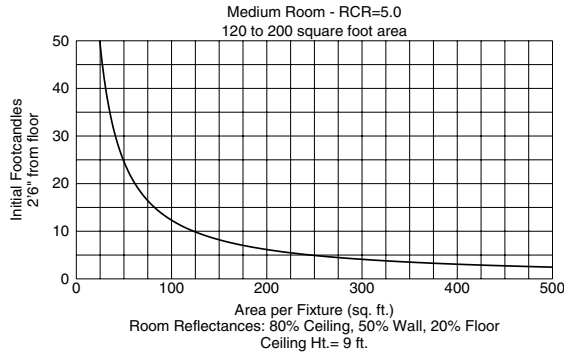
S/MH Ratio: 1.2 (0°) 1.2 (90°)

### Single Fixture Data

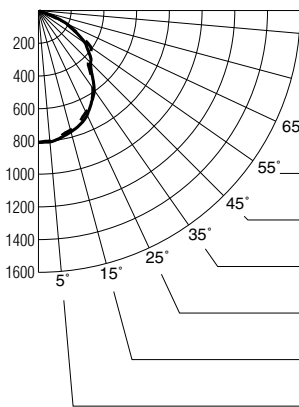
Ceiling Ht.(Ft.)	10% Values		Zero Degrees Ft.-C	50% Values	
	Beam Angle - 107°			Beam Angle - 62°	
	Ft.-C	Beam Dia.		Ft.-C	Beam Dia.
8	2.7	15	26.6	13.3	7
10	1.4	20	14.3	7.2	9
12	0.9	26	8.9	4.5	11
14	0.6	31	6.1	3.0	14
16	0.4	37	4.4	2.2	16

Ft.-C (Footcandles) are initial and measured 2'-6" from floor

### Quick Calculator Charts



### DISTRIBUTION CURVE



### INTENSITY DATA

DEGREES	CANDELA	
	AT 0°	AT 90°
90	0	0
85	1	1
80	2	2
75	4	4
70	26	16
65	188	180
60	263	275
55	350	391
50	405	414
45	450	437
40	509	494
35	594	580
30	648	649
25	704	686
20	742	729
15	767	756
10	789	779
5	806	800
0	806	806

### ZONAL CAVITY COEFFICIENTS OF UTILIZATION

Effective Floor Cavity Reflectance 0.20

RC	Effective Floor Cavity Reflectance 0.20																							
	80				70				50				30				10				0			
RW	70	50	30	10	70	50	30	10	50	30	10	50	30	10	50	30	10	50	30	10	0	0	0	0
0	62	62	62	62	61	61	61	61	58	58	58	55	55	55	53	53	53	52	52	52	52	52	52	
1	58	56	54	53	57	55	53	52	53	51	50	51	50	49	49	48	47	46	46	46	46	46	46	
2	53	50	47	44	52	49	46	44	47	45	43	45	44	42	44	42	41	40	40	40	40	40	40	
3	49	44	41	38	48	44	40	37	42	39	37	41	38	36	39	37	36	35	35	35	35	35	35	
4	45	40	36	33	44	39	35	32	38	34	32	37	34	31	36	33	31	30	30	30	30	30	30	
5	42	36	31	28	41	35	31	28	34	31	28	33	30	28	32	29	27	26	26	26	26	26	26	
6	39	32	28	25	38	32	28	25	31	27	25	30	27	24	29	26	24	23	23	23	23	23	23	
7	36	29	25	22	35	29	25	22	28	25	22	28	24	22	27	24	22	21	21	21	21	21	21	
8	34	27	23	20	33	27	23	20	26	22	20	25	22	20	25	22	20	19	19	19	19	19	19	
9	31	25	21	18	31	24	21	18	24	20	18	23	20	18	23	20	18	17	17	17	17	17	17	
10	29	23	19	16	29	23	19	16	22	19	16	22	18	16	21	18	16	15	15	15	15	15	15	





Compact  
Fluorescent Trims

**6" Pro-Optic® Firebox**  
**2-Lamp Horizontal Open**  
**Non-IC**

Recessed

Type \_\_\_\_\_

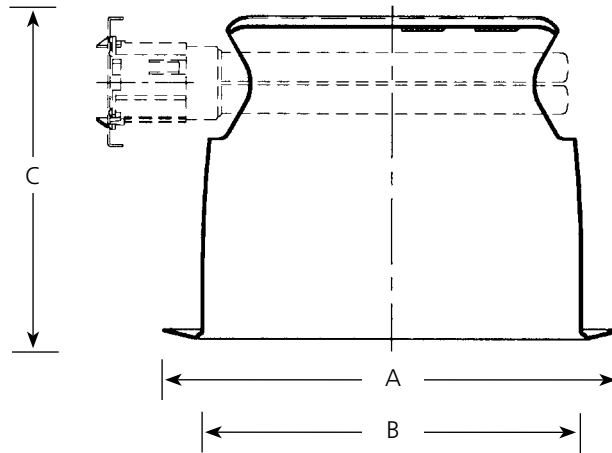
	-17AFB	-21AFB	-22AFB	-28FB	-61FB*	-64FB*	-67FB*
P8030	<input type="checkbox"/>	<input type="checkbox"/>	<input type="checkbox"/>	<input type="checkbox"/>	<input type="checkbox"/>	<input type="checkbox"/>	<input type="checkbox"/>

**Finish**

**Dimensions (Inches)**

Catalog No.	Pewter Alzak®	Clear Alzak®	Gold Alzak®	White	Straw Alzak®	Wheat Alzak®	Haze Alzak®	Dimensions (Inches)		
	-17AFB	-21AFB	-22AFB	-28FB	-61FB*	-64FB*	-67FB*	A	B	C
P8030	-17AFB	-21AFB	-22AFB	-28FB	-61FB*	-64FB*	-67FB*	7-3/4	6-3/8	5-5/16

Maximum Ceiling Thickness: 1-1/8"



**Lamp Wattage**

Housing	IC	Non-IC
P63-EBFB	N/A	2 13w Quad
P68-EBFB	N/A	2 18w Quad
P66-EBFB	N/A	2 26w Quad

**Specifications:**

Flange

- Bright white powdered painted metal flange
- P8030-28 is painted entirely with powder coat bright white

Trim

- All aluminum construction
- One piece construction with integral finish
- No light leaks around trim flange
- Socket box mounts to trim for optimum performance and consistent lamp position
- Trim retention accomplished by 3 spring clips located in aperture of housing

Labeling

- UL-CUL listed for damp locations

\*MTO only

Progress Lighting  
701 Millennium Blvd.  
Greenville, South Carolina  
29607

www.progresslighting.com  
Patent# 6,254,257











# P63-EBFB

## P63-EBFB WITH P8030-21AFB

Report No. 98116

No. Lamps: 2 Type Lamp: 13W CF GE Total Lumens: 1800

Fixture Efficiency: 59.3%

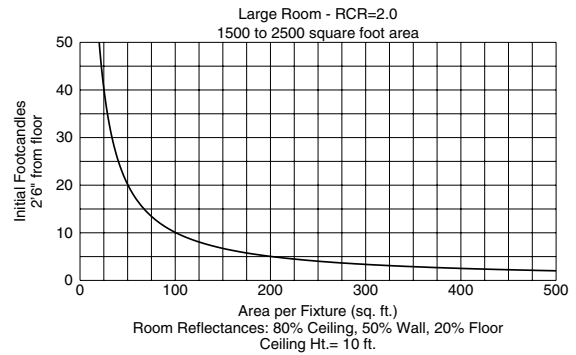
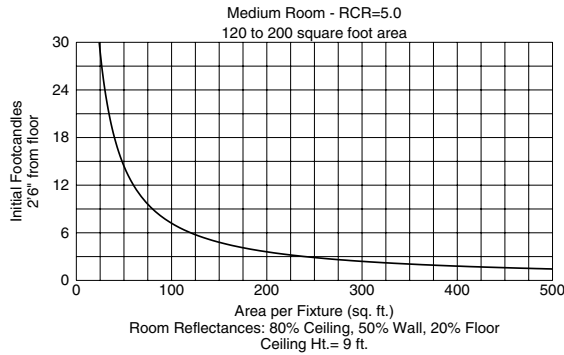
S/MH Ratio: 1.2 (0°) 1.2 (90°)

### Single Fixture Data

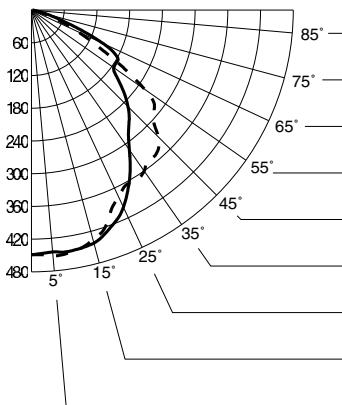
Ceiling Ht.(Ft.)	10% Values		Zero Degrees	50% Values	
	Beam Angle - 109°			Beam Angle - 62°	
	Ft.-C	Beam Dia.		Ft.-C	Beam Dia.
8	1.5	15	14.8	7.4	7
10	0.8	21	8.0	4.0	9
12	0.5	26	5.0	2.5	11
14	0.3	32	3.4	1.7	14
16	0.2	38	2.5	1.2	16

Ft.-C (Footcandles) are initial and measured 2'-6" from floor

### Quick Calculator Charts



#### DISTRIBUTION CURVE



#### INTENSITY DATA

DEGREES	CANDELA	
	AT 0°	AT 90°
90	0	0
85	3	1
80	9	4
75	30	17
70	71	47
65	145	94
60	183	160
55	184	253
50	214	293
45	250	329
40	278	350
35	313	360
30	359	365
25	399	378
20	424	411
15	442	436
10	447	448
5	445	452
0	448	448

#### ZONAL CAVITY COEFFICIENTS OF UTILIZATION

RC	Effective Floor Cavity Reflectance 0.20																							
	80				70				50				30				10				0			
	RW	70	50	30	10	70	50	30	10	50	30	10	50	30	10	50	30	10	50	30	10	50	30	10
0	71	71	71	71	69	69	69	69	66	66	66	63	63	63	61	61	61	59						
1	66	63	61	59	64	62	60	58	59	58	56	57	56	55	55	54	53	52						
2	60	56	52	49	59	55	51	49	53	50	48	51	49	47	49	47	45	44						
3	55	50	45	42	54	49	44	41	47	43	40	45	42	40	44	41	39	38						
4	51	44	39	36	49	43	39	35	42	38	35	41	37	34	39	36	34	33						
5	47	40	34	31	46	39	34	31	38	33	30	36	33	30	35	32	30	28						
6	43	36	31	27	42	35	30	27	34	30	27	33	29	26	32	29	26	25						
7	40	32	27	24	39	32	27	24	31	27	24	30	26	23	29	26	23	22						
8	37	30	25	21	36	29	25	21	28	24	21	28	24	21	27	23	21	20						
9	35	27	22	19	34	27	22	19	26	22	19	26	22	19	25	21	19	18						
10	33	25	21	17	32	25	20	17	24	20	17	24	20	17	23	20	17	16						



# P68-EBFB

## P68-EBFB WITH P8030-21AFB

Report No. 98217

No. Lamps: 2 Type Lamp: 18W CF QUAD-GE Total Lumens: 2500

Fixture Efficiency: 60.4%

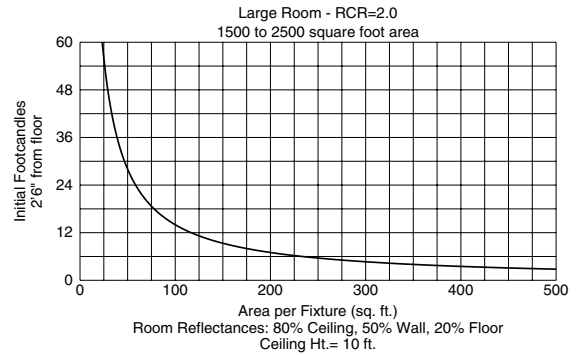
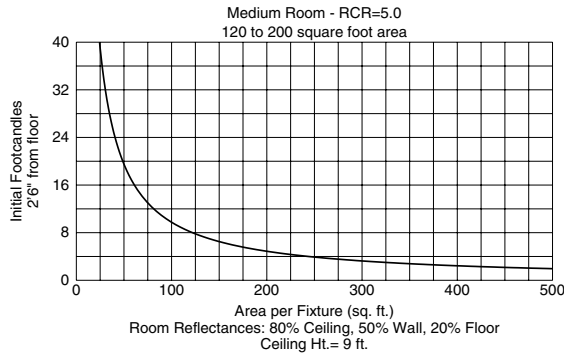
S/MH Ratio: 1.1 (0°) 1.2 (90°)

### Single Fixture Data

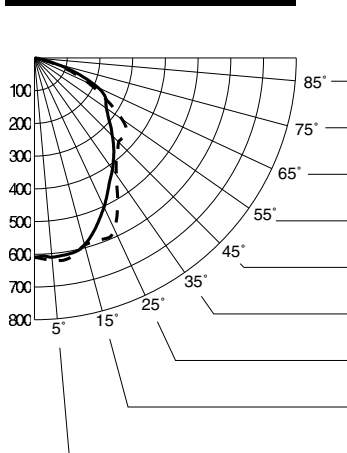
Ceiling Ht.(Ft.)	10% Values		Zero Degrees	50% Values	
	Beam Angle - 108°			Beam Angle - 61°	
	Ft.-C	Beam Dia.		Ft.-C	Beam Dia.
8	2.0	15	20.1	10.1	6
10	1.1	21	10.8	5.4	9
12	0.7	26	6.7	3.4	11
14	0.5	32	4.6	2.3	14
16	0.3	37	3.3	1.7	16

Ft.-C (Footcandles) are initial and measured 2'-6" from floor

### Quick Calculator Charts



#### DISTRIBUTION CURVE



#### INTENSITY DATA

DEGREES	CANDELA	
	AT 0°	AT 90°
90	0	0
85	3	2
80	17	11
75	63	46
70	142	116
65	214	183
60	252	252
55	268	327
50	298	364
45	337	364
40	377	390
35	415	437
30	454	508
25	503	577
20	550	591
15	591	592
10	608	620
5	612	621
0	609	609

#### ZONAL CAVITY COEFFICIENTS OF UTILIZATION

Effective Floor Cavity Reflectance 0.20

RC	Effective Floor Cavity Reflectance 0.20																						
	80				70				50				30				10				0		
RW	70	50	30	10	70	50	30	10	50	30	10	50	30	10	50	30	10	50	30	10	0		
0	72	72	72	72	70	70	70	70	67	67	67	64	64	64	62	62	62	60	60	60	60		
1	66	64	62	59	65	63	60	59	60	58	57	58	56	55	55	54	53	52	52	52	52		
2	61	56	52	49	59	55	52	49	53	50	47	51	49	46	49	47	45	44	44	44	44		
3	56	50	45	41	54	49	44	41	47	43	40	45	42	39	44	41	39	37	37	37	37		
4	51	44	39	35	50	43	39	35	42	38	34	40	37	34	39	36	33	32	32	32	32		
5	47	39	34	30	46	39	34	30	38	33	30	36	33	30	35	32	29	28	28	28	28		
6	43	36	30	27	42	35	30	26	34	30	26	33	29	26	32	29	26	25	25	25	25		
7	40	32	27	24	39	32	27	23	31	27	23	30	26	23	29	26	23	22	22	22	22		
8	38	30	25	21	37	29	24	21	28	24	21	28	24	21	27	23	21	20	20	20	20		
9	35	27	22	19	34	27	22	19	26	22	19	25	22	19	25	21	19	18	18	18	18		
10	33	25	20	17	32	25	20	17	24	20	17	24	20	17	23	20	17	16	16	16	16		



# P68-EBFB

## P68-EBFB WITH P8030-22AFB

Report No. 98221

No. Lamps: 2 Type Lamp: 18W CF QUAD-GE Total Lumens: 2500

Fixture Efficiency: 57.4%

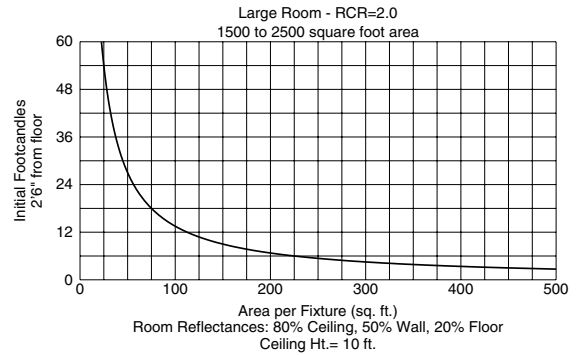
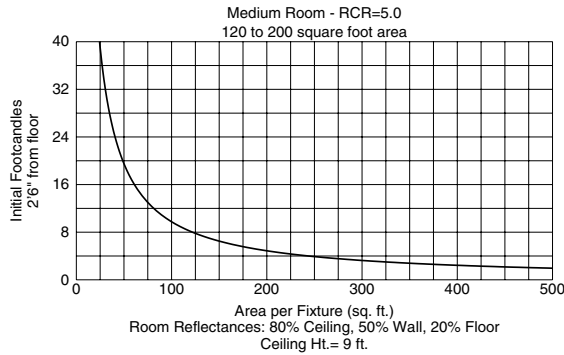
S/MH Ratio: 1.0 (0°) 1.3 (90°)

### Single Fixture Data

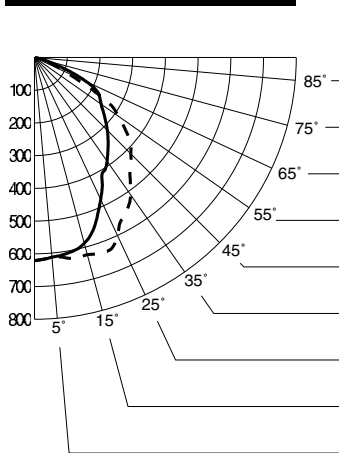
Ceiling Ht.(Ft.)	10% Values		Zero Degrees	50% Values	
	Beam Angle - 107°			Beam Angle - 60°	
	Ft.-C	Beam Dia.		Ft.-C	Beam Dia.
8	2.1	15	20.5	10.3	6
10	1.1	20	11.0	5.5	9
12	0.7	26	6.9	3.4	11
14	0.5	31	4.7	2.3	13
16	0.3	37	3.4	1.7	16

Ft.-C (Footcandles) are initial and measured 2'-6" from floor

### Quick Calculator Charts



#### DISTRIBUTION CURVE



#### INTENSITY DATA

DEGREES	CANDELA	
	AT 0°	AT 90°
	90	0
85	1	1
80	8	4
75	35	16
70	87	58
65	176	106
60	228	225
55	249	314
50	279	374
45	315	416
40	350	454
35	387	512
30	412	553
25	479	600
20	543	632
15	588	624
10	606	623
5	613	614
0	621	621

#### ZONAL CAVITY COEFFICIENTS OF UTILIZATION

RC	Effective Floor Cavity Reflectance 0.20																							
	80				70				50				30				10				0			
	RW	70	50	30	10	70	50	30	10	50	30	10	50	30	10	50	30	10	50	30	10	0		
0	68	68	68	68	67	67	67	67	64	64	64	61	61	61	59	59	59	57						
1	64	61	59	57	62	60	58	56	58	56	55	55	54	53	53	52	51	50						
2	58	54	51	48	57	53	50	47	51	49	46	49	47	45	48	46	44	43						
3	54	48	44	41	52	47	43	40	46	42	39	44	41	39	43	40	38	37						
4	49	43	38	35	48	42	38	35	41	37	34	40	36	34	38	35	33	32						
5	45	39	34	30	44	38	33	30	37	33	30	36	32	29	35	32	29	28						
6	42	35	30	27	41	34	30	26	33	29	26	32	29	26	32	28	26	25						
7	39	32	27	24	38	31	27	24	30	26	23	30	26	23	29	26	23	22						
8	36	29	24	21	36	29	24	21	28	24	21	27	24	21	27	23	21	20						
9	34	27	22	19	33	26	22	19	26	22	19	25	21	19	25	21	19	18						
10	32	25	20	17	31	24	20	17	24	20	17	23	20	17	23	20	17	16						







# P66-EBFB

## P66-EBFB WITH P8030-28FB

Report No. 98177

No. Lamps: 2 Type Lamp: 26W CF QUAD-GE Total Lumens: 3400

Fixture Efficiency: 43.3%

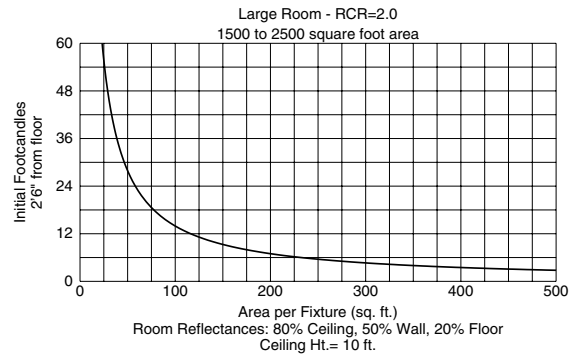
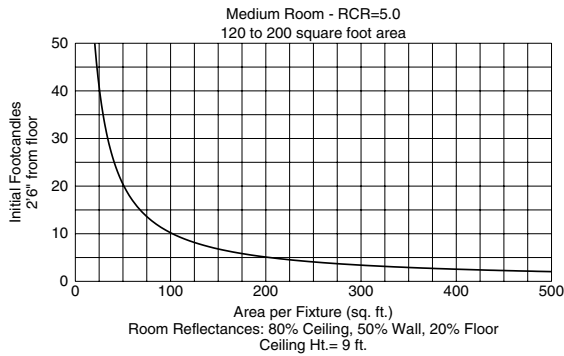
S/MH Ratio: 0.8 (0°) 1.0 (90°)

### Single Fixture Data

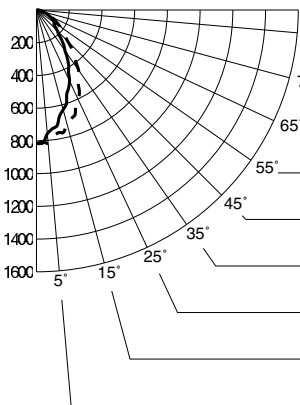
Ceiling Ht.(Ft.)	10% Values		Zero Degrees Ft.-C	50% Values	
	Beam Angle - 90°			Beam Angle - 49°	
	Ft.-C	Beam Dia.		Ft.-C	Beam Dia.
8	2.7	11	27.0	13.5	5
10	1.5	15	14.5	7.3	7
12	0.9	19	9.0	4.5	9
14	0.6	23	6.2	3.1	11
16	0.4	27	4.5	2.2	12

Ft.-C (Footcandles) are initial and measured 2'-6" from floor

### Quick Calculator Charts



#### DISTRIBUTION CURVE



#### INTENSITY DATA

DEGREES	CANDELA	
	AT 0°	AT 90°
90	0	0
85	4	10
80	21	28
75	42	49
70	64	77
65	87	104
60	116	133
55	133	174
50	142	213
45	182	269
40	240	360
35	304	448
30	394	509
25	478	603
20	542	685
15	631	716
10	720	762
5	759	817
0	816	816

#### ZONAL CAVITY COEFFICIENTS OF UTILIZATION

RC	Effective Floor Cavity Reflectance 0.20																									
	80					70					50					30					10					0
	RW	70	50	30	10	70	50	30	10	50	30	10	50	30	10	50	30	10	50	30	10	0				
0	52	52	52	52	50	50	50	50	48	48	48	46	46	46	44	44	44	44	44	44	43					
1	48	46	45	43	47	45	44	42	43	42	41	42	41	40	40	39	39	38	38	38	38					
2	44	41	39	36	43	40	38	36	39	37	35	38	36	34	36	35	34	36	35	34	33					
3	41	37	34	31	40	36	33	31	35	33	31	34	32	30	33	31	30	33	31	30	29					
4	38	33	30	27	37	33	30	27	32	29	27	31	28	27	30	28	26	30	28	26	25					
5	35	30	27	24	34	30	27	24	29	26	24	28	26	24	27	25	23	27	25	23	23					
6	33	28	24	22	32	27	24	22	26	24	21	26	23	21	25	23	21	25	23	21	20					
7	31	25	22	19	30	25	22	19	24	21	19	24	21	19	23	21	19	23	21	19	18					
8	29	23	20	18	28	23	20	18	22	20	18	22	19	17	21	19	17	21	19	17	17					
9	27	22	18	16	26	21	18	16	21	18	16	20	18	16	20	18	16	20	18	16	15					
10	25	20	17	15	25	20	17	15	19	17	15	19	16	15	19	16	15	19	16	15	14					