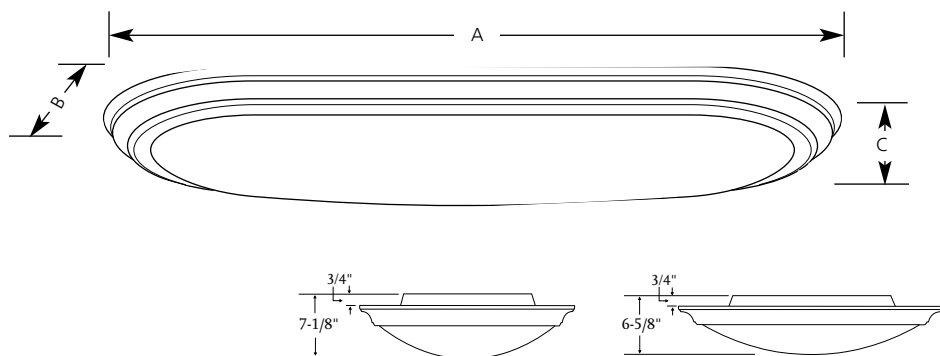


Type _____
 -30
 P7205
 P7206

Catalog No.	Finish	Lamping	Dimensions (Inches)		
	White		A	B	C
P7205	-30	2-FB34/6	36	36	7-5/8
P7206	-30	4-F34T12	59	21	6-7/8



Specifications:

General

- White Acrylic domes framed in curved texture white moldings
- Lift and shift removal for relamping and servicing
- 1" drop from ceiling provides a halo effect
- White steel chassis
- Sockets metal backed
- Easily removable cover for ballast access
- Recommend energy saving T12 lamps

Mounting

- Ceiling mounted
- Covers any outlet box

Electrical

- 120V HPF ballasts (277V available on request)
- Bi-pin twist in sockets - "U" lamp are snap in

Labeling

- UL-CUL listed

7206-30 OVAL DOME

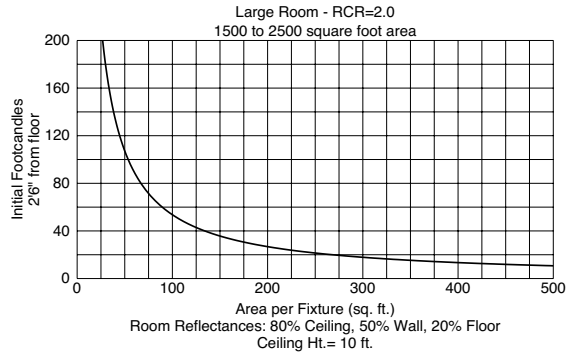
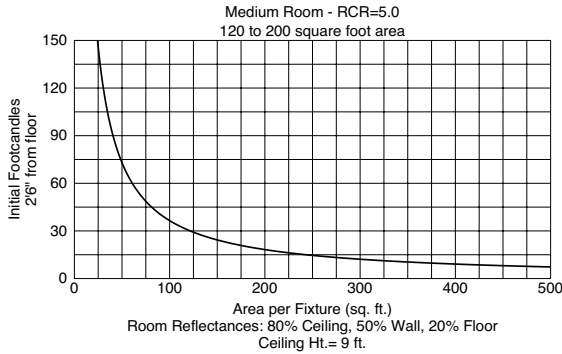
Report No. 99004

No. Lamps: 4 Type Lamp: F34T12 -SYLVANIA Total Lumens: 11400

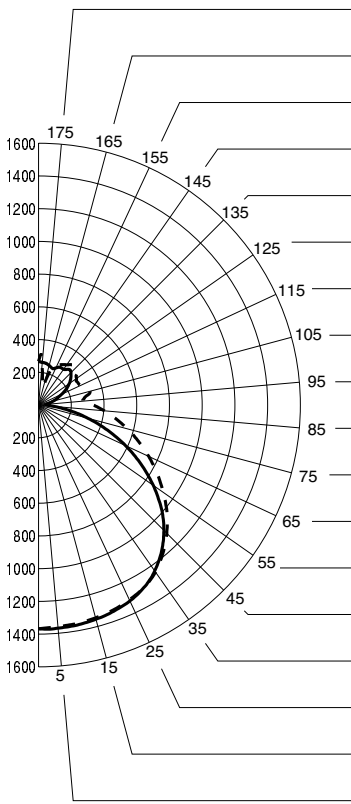
Fixture Efficiency: 56.3%

S/MH Ratio: 1.4 (0) 1.4 (90)

Quick Calculator Charts



DISTRIBUTION CURVE



INTENSITY DATA

DEGREES	CANDELA	
	AT 0°	AT 90°
180	267	267
175	262	244
170	259	133
165	250	133
160	240	238
155	250	257
150	266	286
145	267	300
140	285	321
135	280	319
130	257	311
125	229	283
120	196	276
115	156	283
110	123	302
105	92	324
100	65	291
95	46	273
90	45	335
85	97	404
80	192	479
75	313	562
70	448	650
65	587	743
60	724	837
55	856	930
50	979	1025
45	1083	1108
40	1169	1182
35	1238	1246
30	1288	1288
25	1321	1313
20	1341	1333
15	1355	1346
10	1365	1356
5	1369	1360
0	1367	1367

Single Fixture Data

Ceiling Ht. (Ft.)	10% Values		Zero Degrees	50% Values	
	Beam Angle - 114			Beam Angle - 70	
	Ft.-C	Beam Dia.	Ft.-C	Ft.-C	Beam Dia.
8	4.5	17	45.2	22.6	8
10	2.4	23	24.3	12.2	10
12	1.5	29	15.1	7.6	13
14	1.0	35	10.3	5.2	16
16	0.8	42	7.5	3.8	19

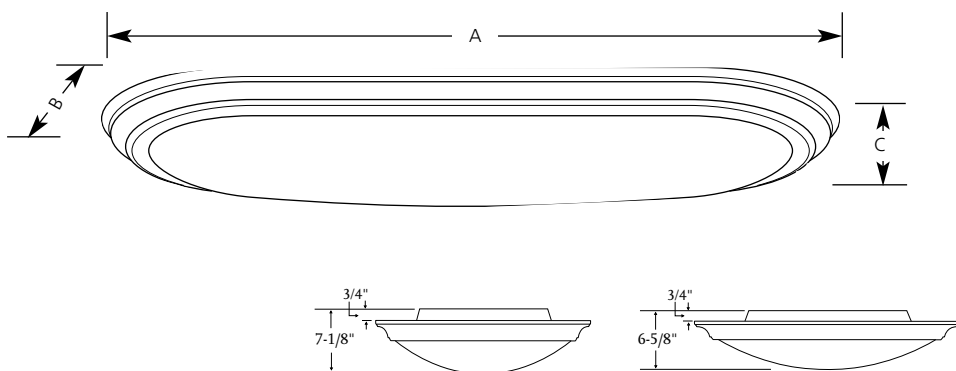
Ft.-C (Footcandles) are initial and measured 2'-6" from floor

ZONAL CAVITY COEFFICIENTS OF UTILIZATION

RC	Effective Floor Cavity Reflectance 0.20																		
	70																		
	80				50				30				10				0		
RW	70	50	30	10	70	50	30	10	50	30	10	50	30	10	50	30	10	0	
0	64	64	64	64	61	61	61	61	56	56	56	51	51	51	46	46	46	44	
1	57	54	52	49	55	52	49	47	47	45	43	43	41	40	39	38	37	35	
2	52	47	43	39	49	45	41	38	41	38	35	37	35	32	34	32	30	28	
3	47	41	36	32	44	39	35	31	35	32	29	32	29	27	29	27	25	23	
4	43	36	31	27	41	34	30	26	31	27	24	28	25	23	26	23	21	19	
5	39	32	27	23	37	30	26	22	28	24	21	25	22	19	23	20	18	17	
6	36	28	23	20	34	27	23	19	25	21	18	23	20	17	21	18	16	14	
7	33	26	21	17	32	25	20	17	23	19	16	21	17	15	19	16	14	13	
8	31	23	19	15	29	22	18	15	21	17	14	19	16	13	17	15	12	11	
9	29	21	17	14	27	20	16	13	19	15	12	17	14	12	16	13	11	10	
10	27	20	15	12	26	19	15	12	17	14	11	16	13	11	15	12	10	9	

Type _____
 -30EB
 P7205
 P7206

Catalog No.	Finish	Lamping	Dimensions (Inches)		
	White		A	B	C
P7205	-30EB	2-FB32T8	36	36	7-5/8
P7206	-30EB	4-F32T8	59	21	6-7/8



Specifications:

General

- White acrylic domes framed in curved texture white moldings
- Lift and shift removal for relamping and servicing
- 1" drop from ceiling provides a halo effect
- White steel chassis
- Sockets metal backed
- Easily removable cover for ballast access
- Utilizes T8 lamps for electronic ballasts

Electrical

- 120V HPF electronic ballasts (277V available on request)
- Bi-pin twist in sockets - "U" lamp are snap in

Labeling

- UL-CUL listed

Mounting

- Ceiling mounted
- Covers any outlet box

