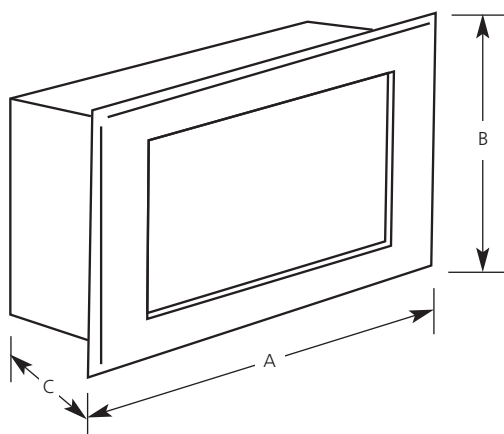


Type _____
-30
P6826

Catalog No.	Finish White	Lamping	Dimensions (Inches)		
			A	B	C
P6826	-30 - Open Acrylic	1-7w or 9w CF	8-5/8	5-7/8	3-1/2
			Wall Opening = 5 x 7-5/8		



Specifications:

Face Plate

- White powder coated steel
- Open Acrylic - Shatter resistant white acrylic diffuser in white metal frame
- Gasketed for light leak prevention
- Both fasten to housing with torsion springs

Housing

- White steel
- Interior wiring compartment
- Two 1/2" KO's for wiring
- For indoor and protected outdoor use
- Units must be mounted at least 3" from any insulation
- Mounting clips for direct mounting to wall board are provided
- Housing has brackets to accept P8716-01 hanger bars, if required

Electrical

- 120v NPF magnetic ballast
- G23 base lampholder
- Multiple units can be wired together without the need of separate junction boxes
- Minimum start temperature
7w -0° F
9w +32° F

Labeling

- UL-CUL damp location listed