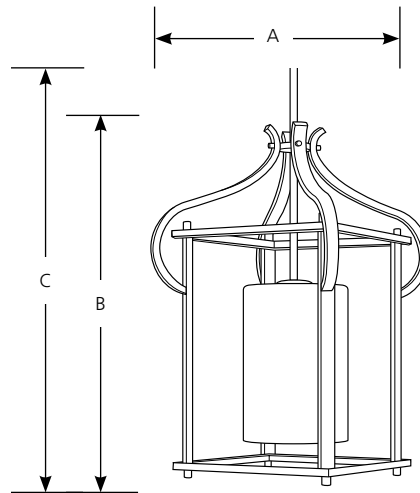


Type _____

-20

P6508

Catalog No.	Finish		Lamping	Dimensions (Inches)		
	Antique Bronze			A	B	C
P6508	-20		1 (m) 100w	11-1/2	23-5/8	91



Specifications:

General

- Etched glass drum shade:
- Antique Bronze painted or finish acid
- Steel construction
- 6 links of 9 gauge chain supplied.
- Companion fixtures are available

Electrical

- Medium base ceramic sockets
- 10 feet of wire supplied
- Pre-wired

Labeling

- UL-CUL Damp location listed

Mounting

- Ceiling stem mounted with 6 links of chain mount
- Canopy covers a standard 4" hexagonal recessed outlet box
- Mounting strap for outlet box included