



Compact Fluorescent

**8" Pro-Optic™ Housing  
13W Quad Tube  
2 Horizontal Lamps**

**Recessed**

Type \_\_\_\_\_

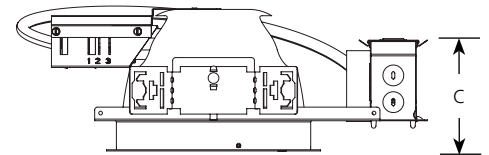
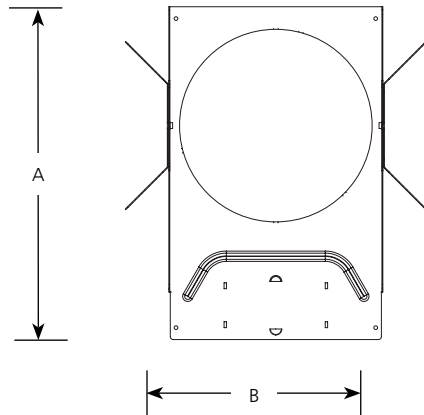
-EB

P8213

**Dimensions (Inches)**

Catalog No.	Lamping	Dimensions (Inches)		
		A	B	C
P8213-EB	(2) 13w Quad Tube	14	9-1/8	6*

- \* 4-3/4 depth for cross baffle P8170
- \* 7-1/8 depth for Lensed and Wall Wash Ceiling Opening = 8-1/4  
Maximum Ceiling Thickness = 1-1/4



- Trim must be ordered separately; P8030 trim shown above

**Specifications:**

Electrical

- Universal heavy gauge junction box with snap-out sides
- Grounding pigtail
- 1/2" & 3/4" pryouts for rigid or BX fittings
- 120/277v electronic HPF ballast
- Rated for 8 #12 90 degree conductors (4 in, 4 out)
- Thermal and end of life ballast protection

Construction

- 2 horizontal 13W GX24q-1 quad tube compact fluorescent
- Notched housing for chalkline or laser alignment
- Full wrap-around mounting frame
- Galvanized steel construction
- Trims adjust to accommodate 1/2" to 1-1/4" thick ceilings

Bar Hangers

- Light commercial bar hangers included
- Integral nailers for wood joist construction
- Integral T-bar mounting clamps
- Securely span 24" T-bar spacing
- Integral set screw lock to secure vertical housing position
- Captive and factory installed
- Galvanized steel
- Universal mounting brackets accept 1/2" EMT conduit or 1-1/2" or 3/4" lathing channel (by others)

Labeling

- UL and CUL listed for damp location and through branch wiring
- Non-IC rated

Lamp/Trim

- Socket box mounts securely to reflector for consistent lamp positioning and photometric performance
- Trim retention accomplished by use of 3 spring clips located inside aperture of frame in
- Order trim separately
- Internal emergency available for use with standard open P8130, baffle P8131, and cross baffle P8170 trims only.

Options

- Remote emergency packs are available as options. Add 'EM' to end of sku number for internal emergency (MTO only).

Technical Data

Lamp	Ballast	Line			Min. Start Temp.
		Lamp Base	Current Amps	Input Watts	
13w	120v	G24q-1	.25	29	0
13w	277v	G24q-1	.11	29	0

\* Technical data is for two lamps.

**Open**

- P8130-21A Clear Alzak
- P8130-22A Gold Alzak

**Baffle**

- P8131-28 Ptd. White
- P8131-31 Ptd. Black

**Lensed Wet Location**

- P8135-68 White Prismatic

**Wall Wash**

- P8132-21 Clear Alzak

**Cross Louver**

- P8170-21A Clear Alzak
- P8170-22A Gold Alzak

Progress Lighting  
701 Millennium Blvd.  
Greenville, South Carolina 29607