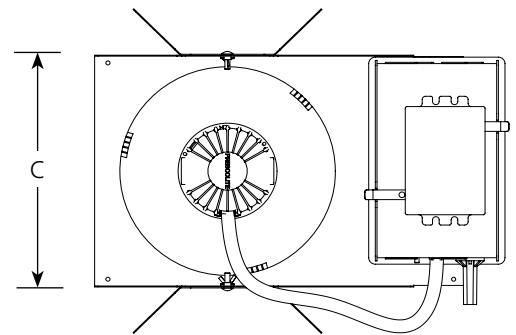
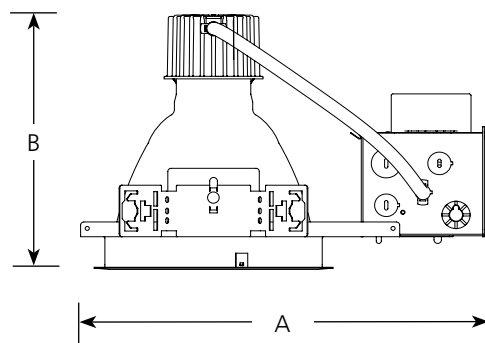


- Type \_\_\_\_\_
- P8202-EB
- P8203-EB

Catalog No	Lamping	Dimensions (Inches)		
		A	B	C
P8202-EB	1-70w ED17 or PAR30L MH	15-1/2	10	9-5/8
P8203-EB	1-100w ED17 MH	15-1/2	10	9-5/8

Ceiling Opening = 8-1/4  
Maximum Ceiling Thickness = 1-1/4



Shown with trim.  
Trim sold separately

**Specifications:**

Electrical

- Universal heavy gauge junction box with snap-out sides
- Grounding pigtail
- 1/2" & 3/4" pryouts for rigid or BX fittings
- 120 Electronic HPF Ballast
- Rated for 8 #12 90 degree conductors (4 in, 4 out)
- Ceramic medium based protected socket

- Wood Joist – P8739-01 can be nailed directly to joist, adjustable to 24"
- Universal mounting brackets (by others) accept 1/2" EMT conduit

Labeling

- UL and CUL listed for damp location and through branch wiring
- Non-IC rated

Construction

- Accepts a single vertical 70 or 100w metal halide lamp rated for use in open trims
- Notched housing for chalkline or laser alignment
- Galvanized steel construction
- Adjustable mounting bracket accommodates 1/2" to 1-1/4" thick ceilings. Can be locked to secure vertical position.

Lamp/Trim

- Die cast socket cup mounts securely to reflector for consistent lamp positioning and photometric performance
- Trim retention accomplished by use of spring clips located inside aperture of housing
- Order trim separately

Technical Data

Lamp	Ballast	Lamp Base	Line Current Amps	Input Watts	Min. Start Temp.(F)
70w	120v	E26med	.67	80	-20
100w	120v	E26med	.92	110	-20

Bar Hangers

- Must be ordered separately
- T-bar – P8725-01 span 24" T-bar spacing and have integral T-bar mounting clamps